

PPUH AUTO-HAK Sp.J.

Henryk i Zbigniew Nejman
ul. Słoneczna 16K 76-200 SŁUPSK
POLAND

tel/fax +48 59 8 414 414; +48 59 8 414 413

e-mail: office@autohak.com.pl

www.autohak.com.pl



AUTO-HAK



**HYUNDAI i30 CW
KOMBI**

Cat. no:

J67A



06.2012 → 05.2017

e20

e20*94/20*1708*00

D

8,3 kN



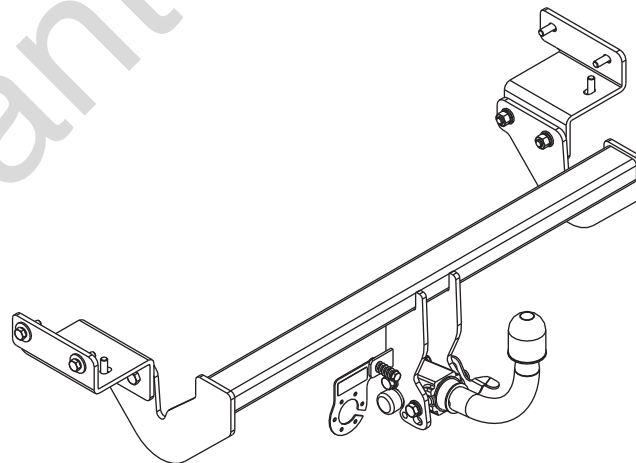
2h



R=1500 kg



S=80 kg



**M6 - 11 Nm
M10 - 50 Nm
M14 - 138 Nm**

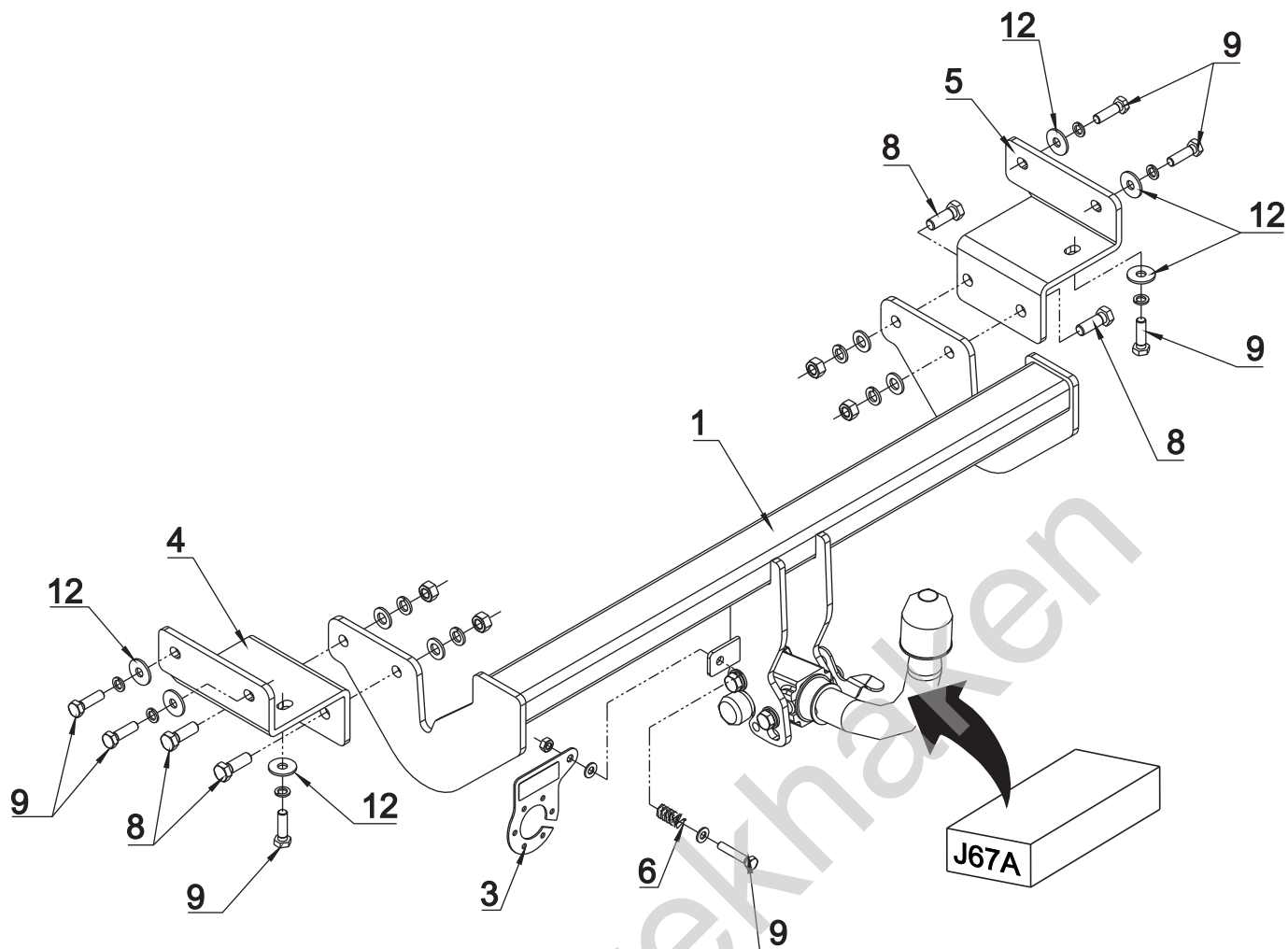
**M8 - 25 Nm
M12 - 87 Nm
M16 - 210 Nm**

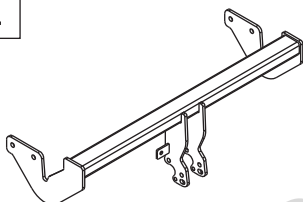

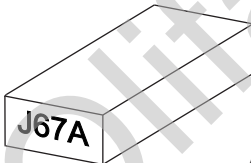



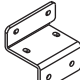

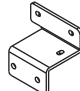





0 km →

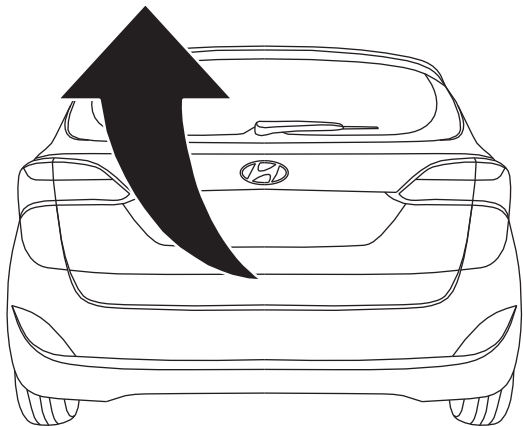


1000 km

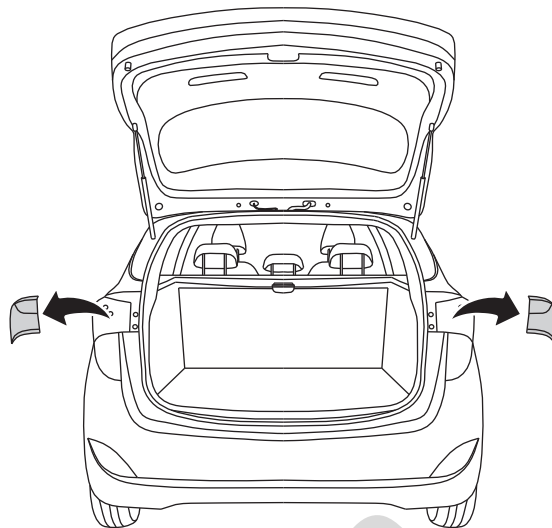


1		x 1		8	M12x35	x 4
2		x 1		9	M10x1,25x35	x 6
				10	M 8x45	x 1
3		x 1		11	∅ 13	x 4
				12	∅ 30x∅10.5x2.5 10 (DIN 9021)	x 6
				13	∅ 8.4	x 2
4		x 1		14	∅ 12.2	x 4
				15	∅ 10.2	x 6
5		x 1		16	M12	x 4
6		x 1		17	M 8	x 1
7		x 1				

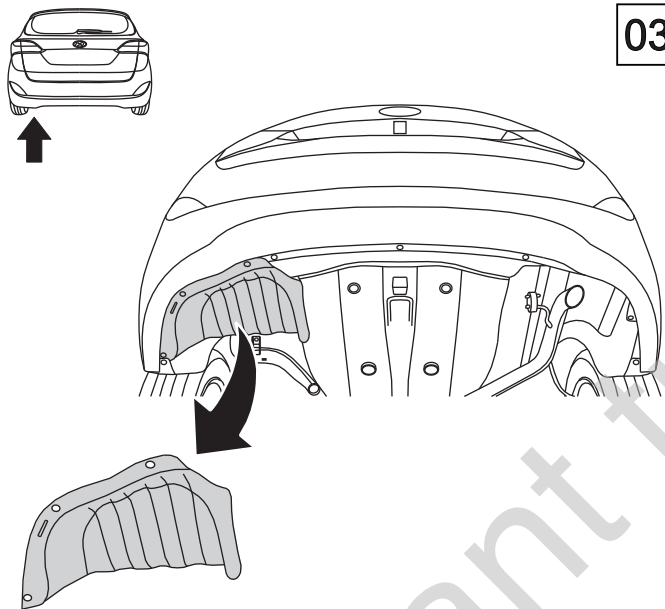
01



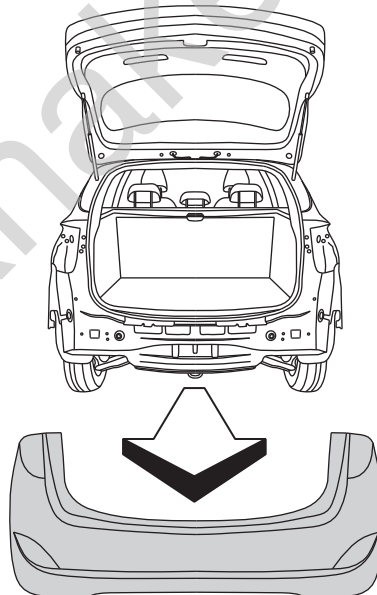
02



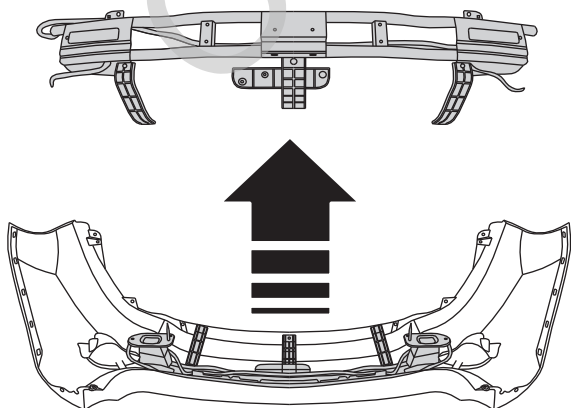
03



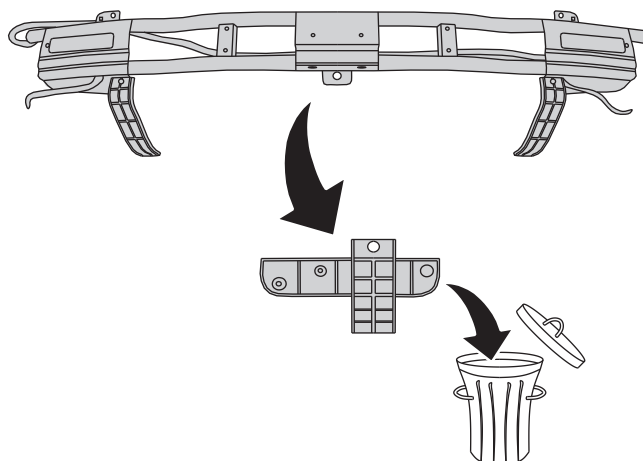
04



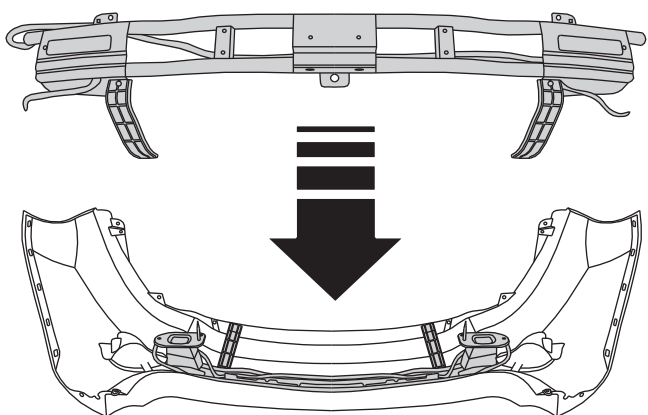
05



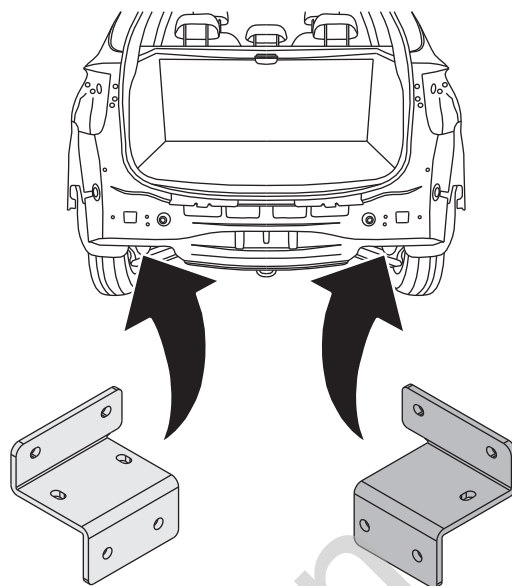
06



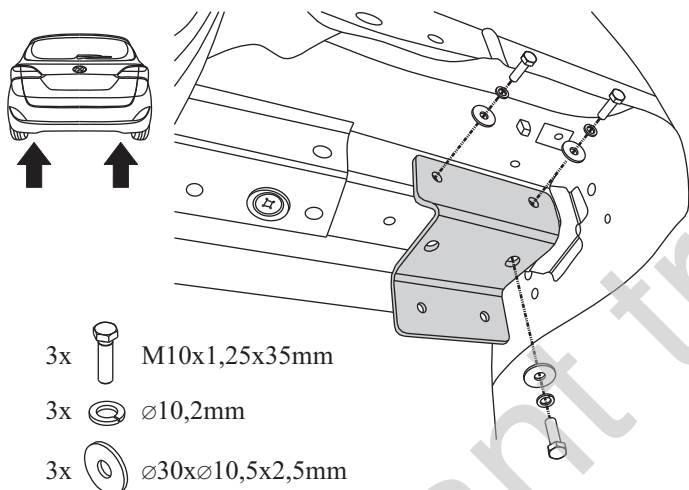
07



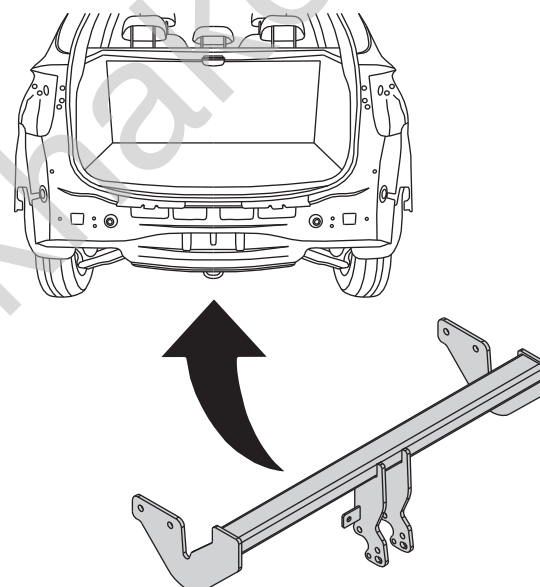
08



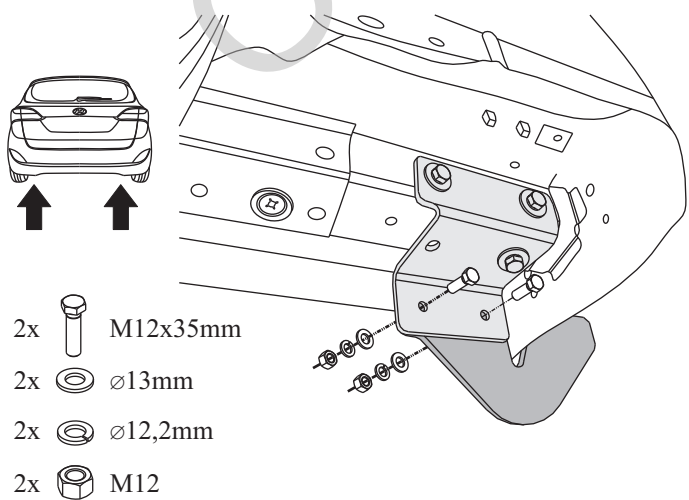
09



10



11



12

