

AUTO-HAK Sp. z o.o.

ul. Słoneczna 16K 76-200 SŁUPSK
POLAND

tel/fax +48 59 8 414 414; +48 59 8 414 413

e-mail: office@autohak.com.pl

www.autohak.com.pl



AUTO-HAK

HYUNDAI i40

4d, ~~AdBlue~~

⌚ 11.2011 → 03.2015

4d (facelift), ~~AdBlue~~

⌚ 04.2015 →

Cat. no:

J66A

e20

e20*94/20*1633*00

D

9,91 kN



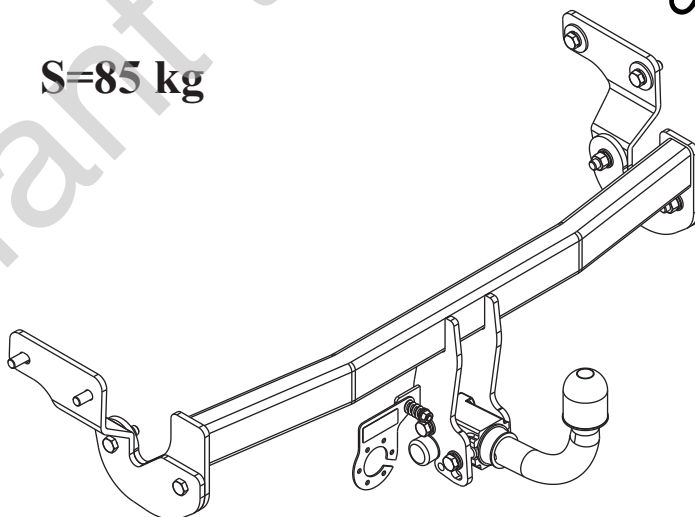
R=1800 kg



S=85 kg



2h



M6 - 11 Nm
M10 - 50 Nm
M14 - 138 Nm

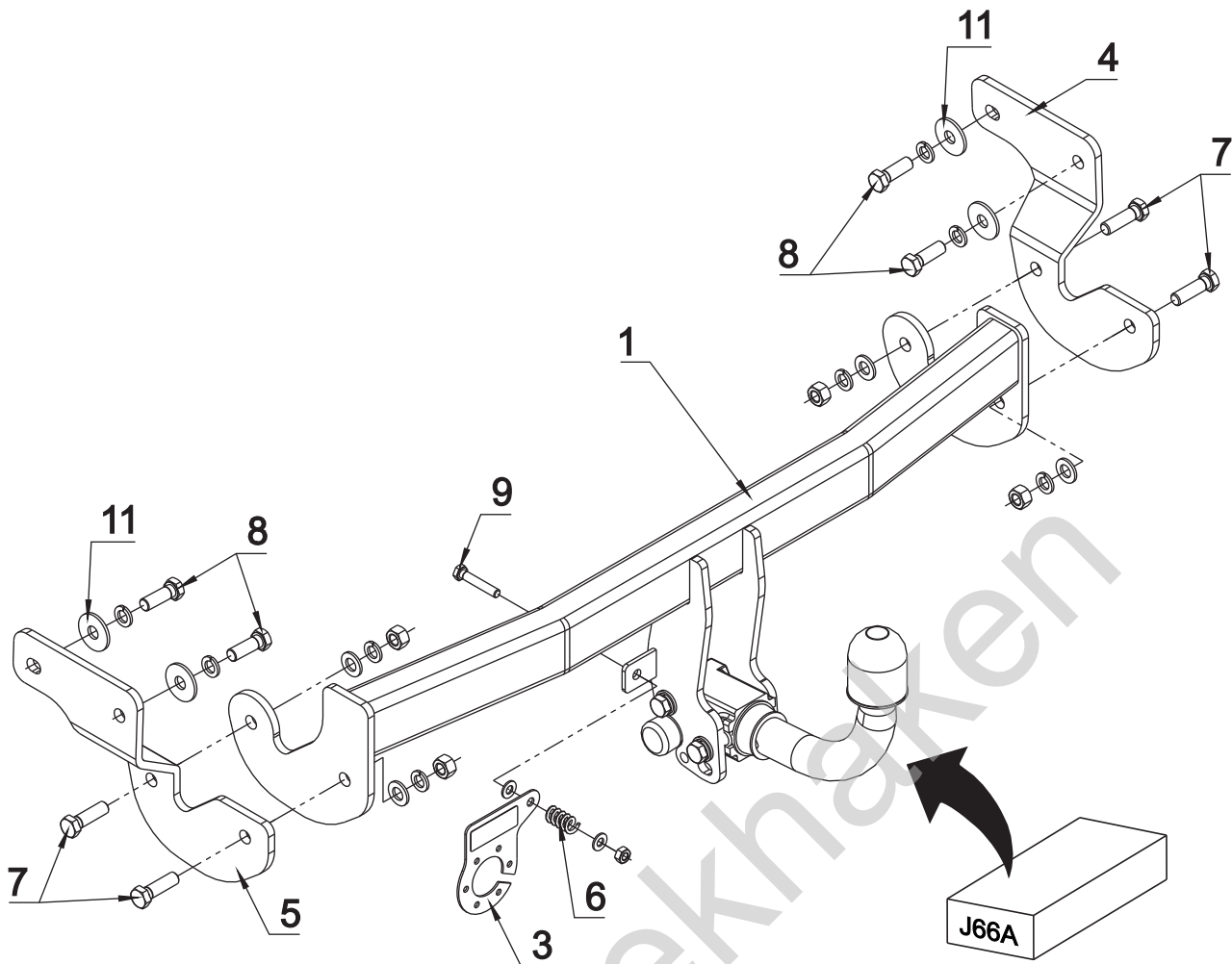
M8 - 25 Nm
M12 - 87 Nm
M16 - 210 Nm

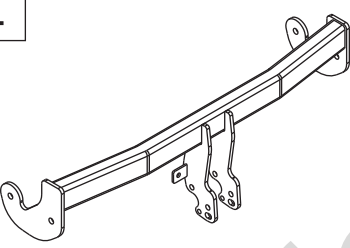



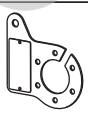
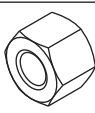
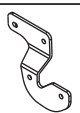
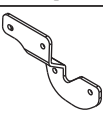
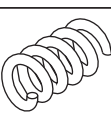


0 km →



1000 km



1		x1		7	M12x40	x4
				8	M12x1,25x35	x4
2		Art.nr-KL1J66A		9	M8x45	x1
				10	∅ 13	x4
				11	∅ 37x∅13x3 13 DIN 9021	x4
				12	∅ 8.2	x2
3		x1		13	∅ 12.2	x8
				14	M12	x4
4		x1		15	M8	x1
5		x1				
6		x1				

