

# PPUH AUTO-HAK Sp.J.

Henryk i Zbigniew Nejman  
ul. Słoneczna 16K 76-200 SŁUPSK  
POLAND

tel/fax +48 59 8 414 414; +48 59 8 414 413

e-mail: [office@autohak.com.pl](mailto:office@autohak.com.pl)

[www.autohak.com.pl](http://www.autohak.com.pl)



# AUTO-HAK



**HYUNDAI i30**  
**3/5D**

Cat. no:

**J65A**



03.2012 → 12.2016

e20

e20\*94/20\*1614\*00



2h

D

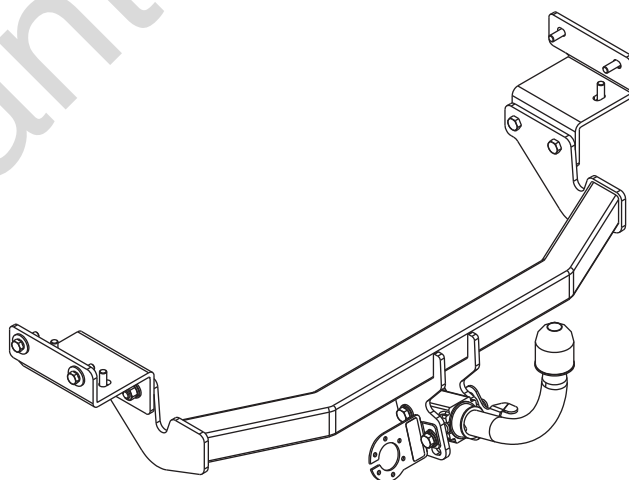
8,3 kN



R=1500 kg



S=75 kg



M6 - 11 Nm  
M10 - 50 Nm  
M14 - 138 Nm

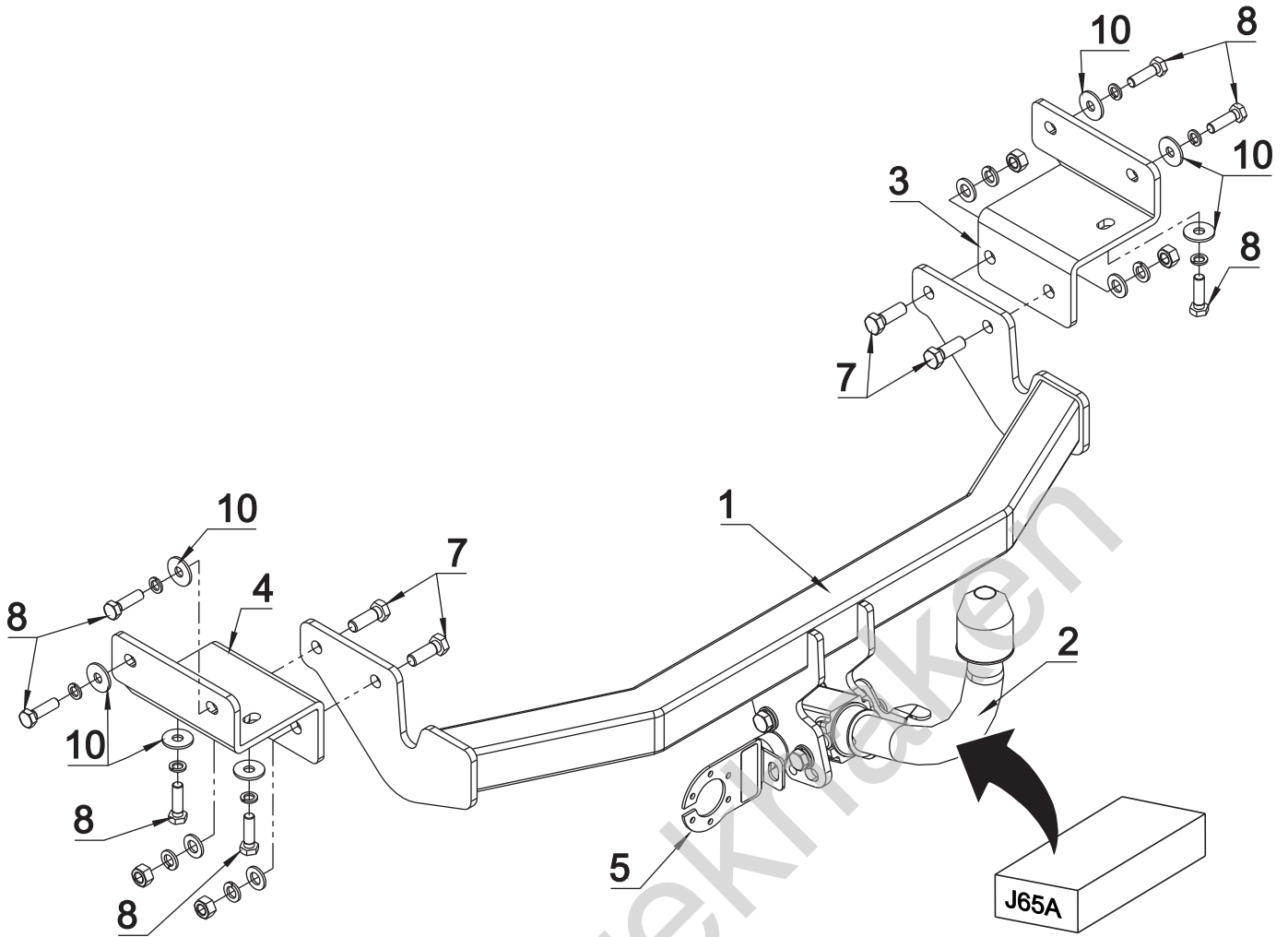
M8 - 25 Nm  
M12 - 87 Nm  
M16 - 210 Nm

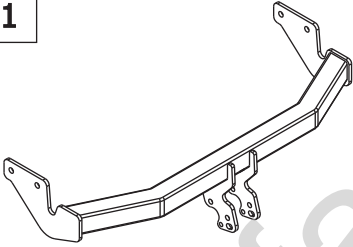

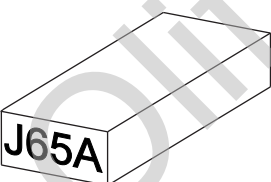

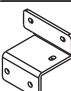



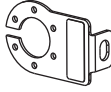



0 km →



1000 km



1		x 1		7	M12x35	x 4
				8	M10x1.25x35	x 7
2		x 1		9	∅ 13	x 4
				10	∅ 30x∅10.5x2.5 10 (DIN 9021)	x 7
3		x 1		11	∅ 12.2	x 4
				12	∅ 10.2	x 7
4		x 1		13	M12	x 4
5		x 1		Art.nr-BL1J65A		
6		x 1				

