

AUTO-HAK Sp. z o.o.

ul. Słoneczna 16K 76-200 SŁUPSK
POLAND

tel/fax +48 59 8 414 414; +48 59 8 414 413

e-mail: office@autohak.com.pl

www.autohak.com.pl



AUTO-HAK

**HYUNDAI i40 (CW)
KOMBI**

06.2011 → 03.2015



**HYUNDAI i40 (CW)
KOMBI (facelift), AdBlue**


04.2015 →

Cat. no:

J64A

e20 e20*94/20*1487*00

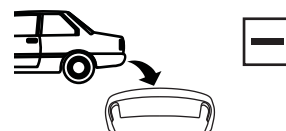
D 9,91 kN

 **R=1800 kg**

 **S=85 kg**



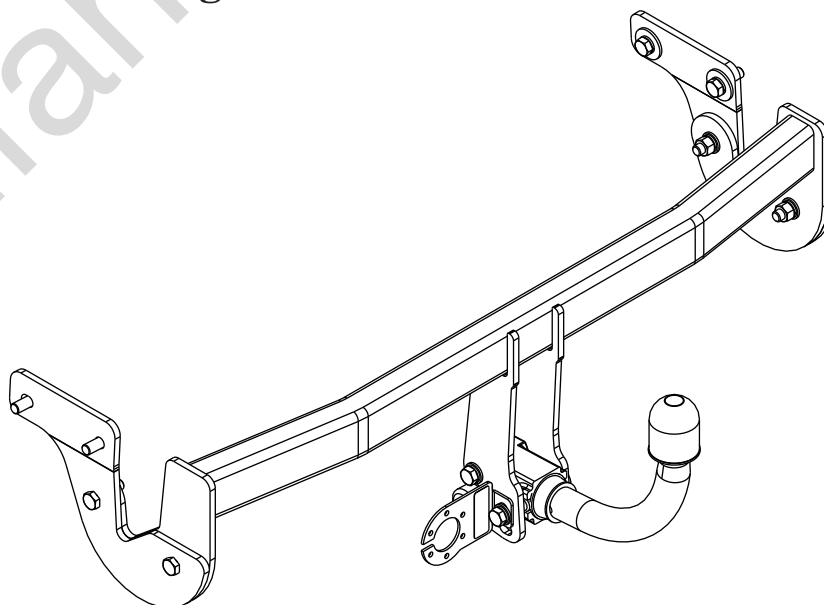
2h

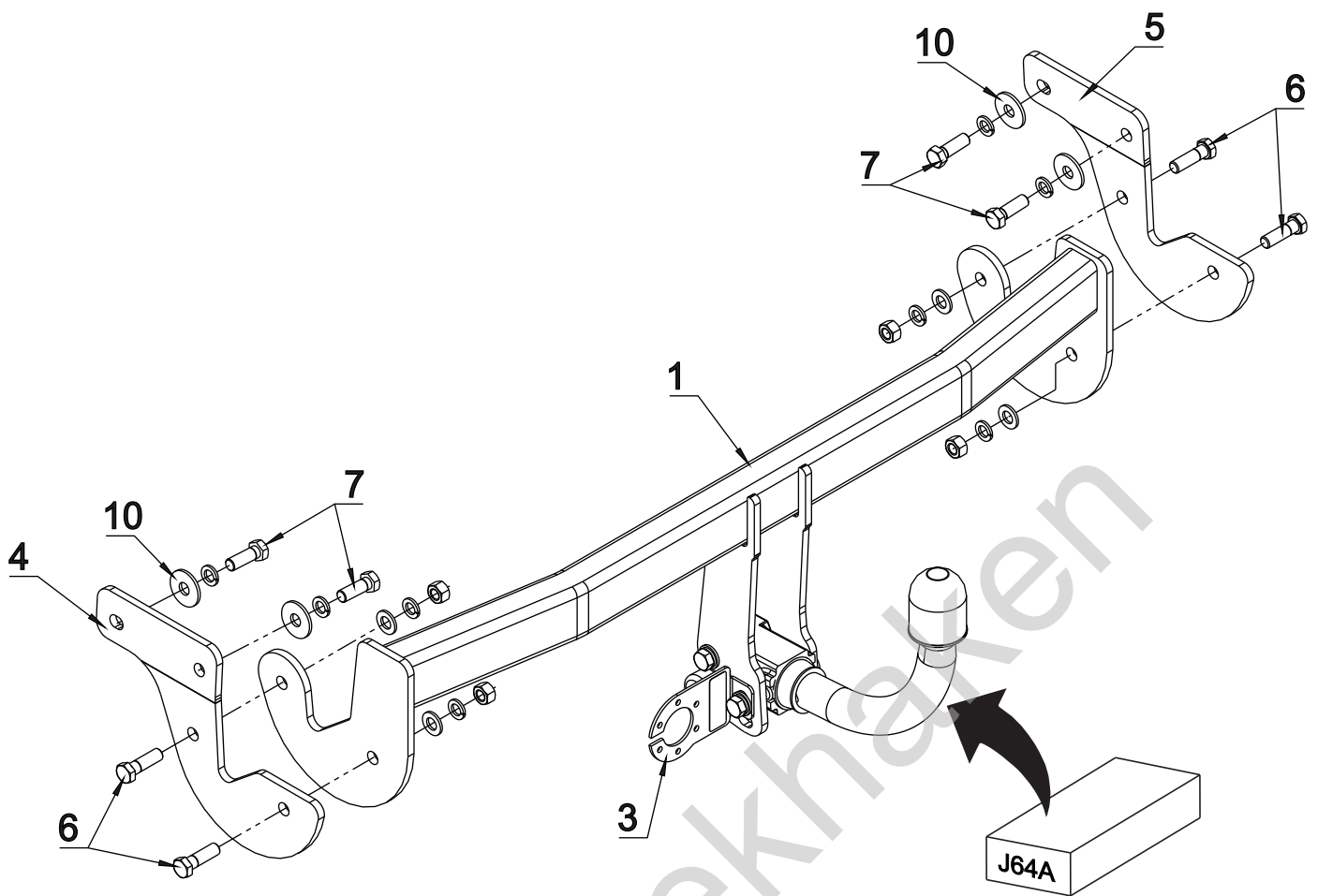


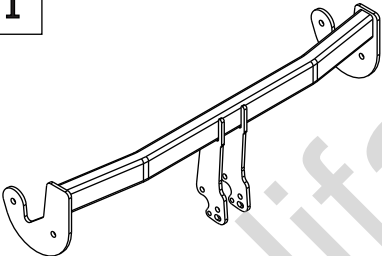
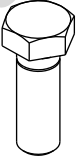
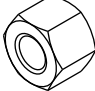
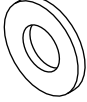

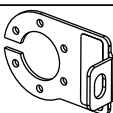


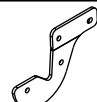
-

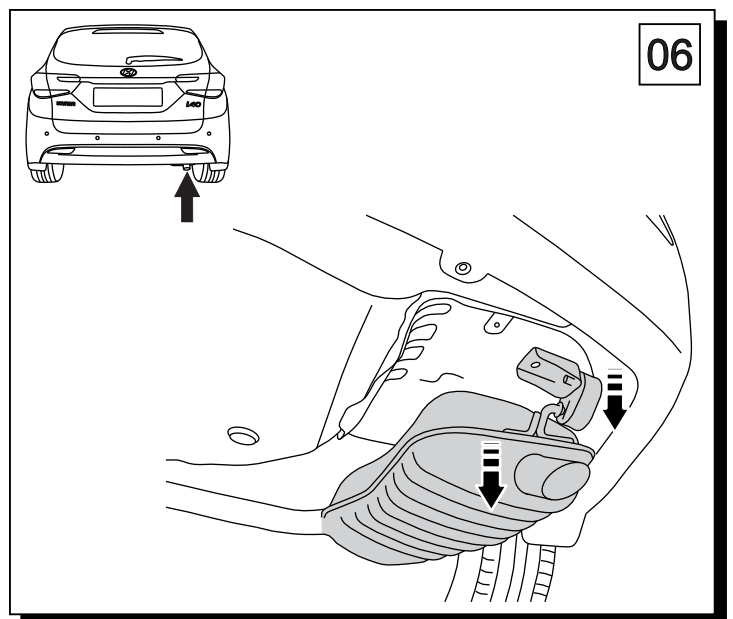
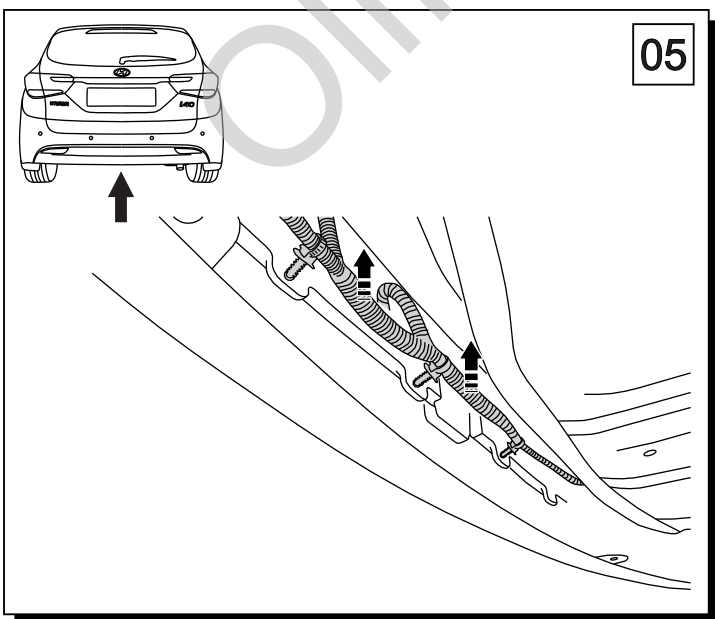
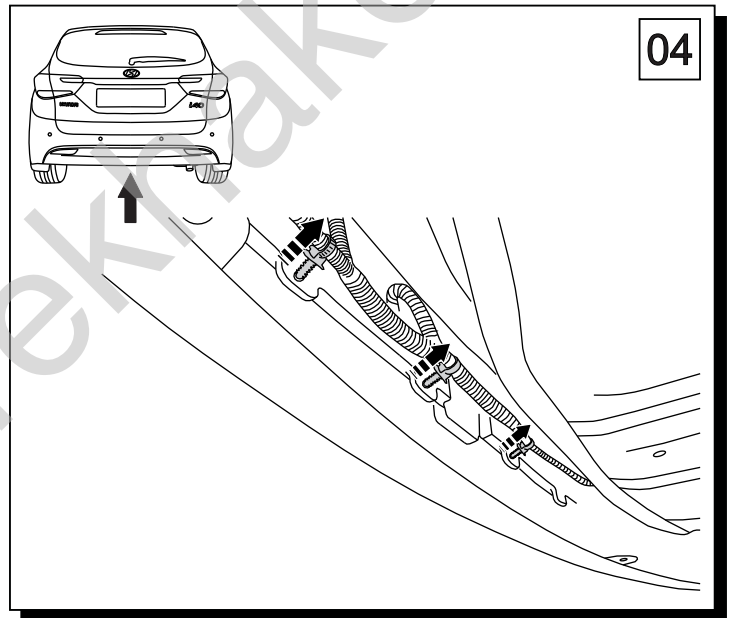
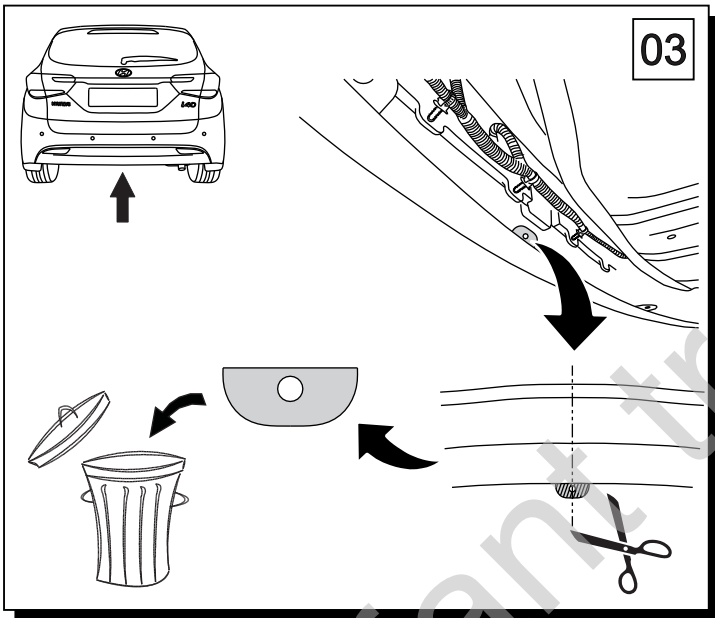
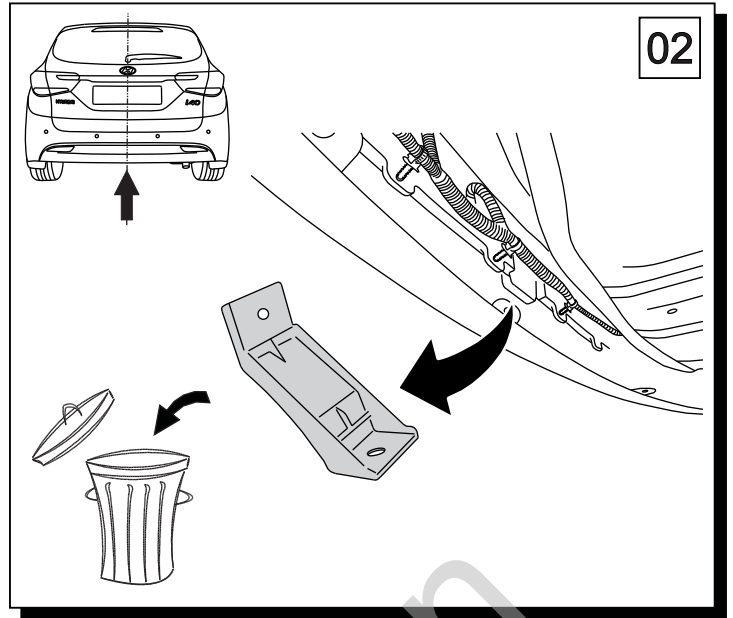
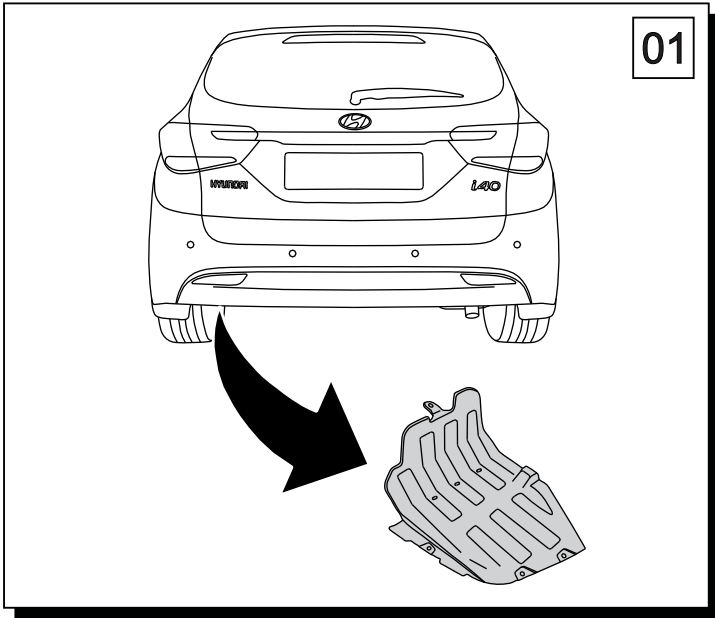


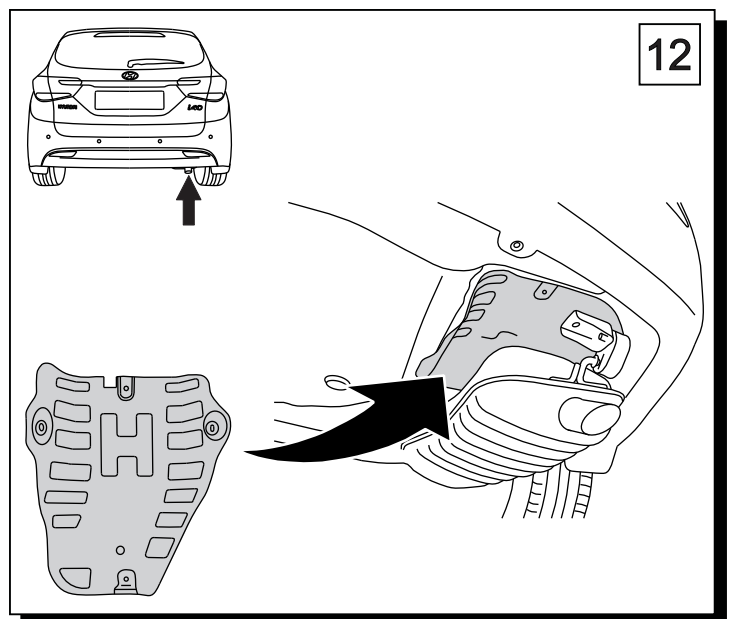
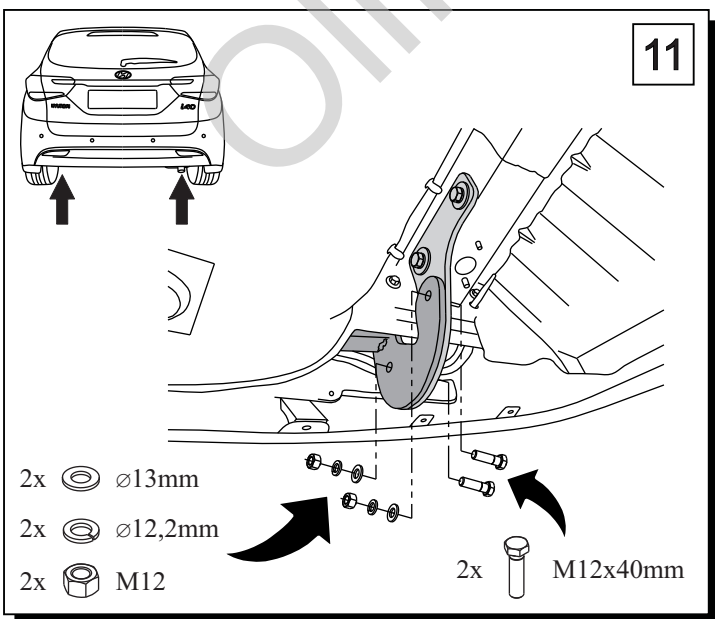
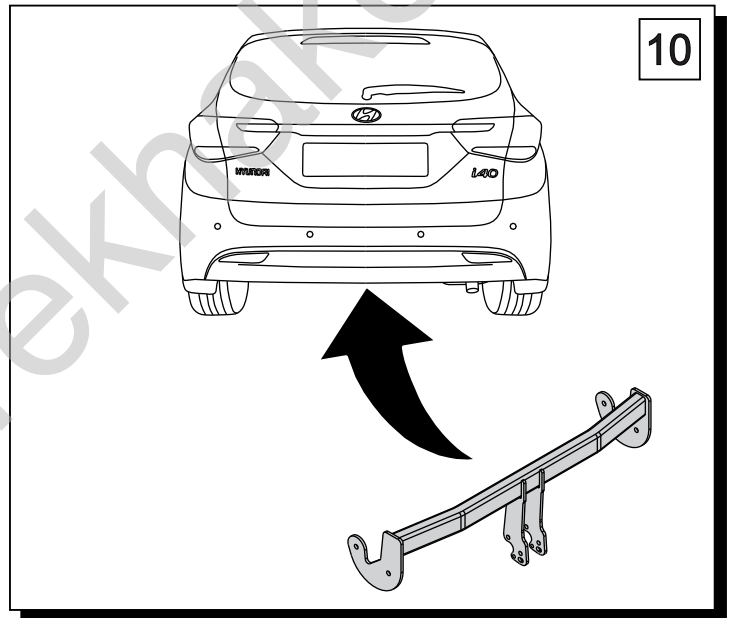
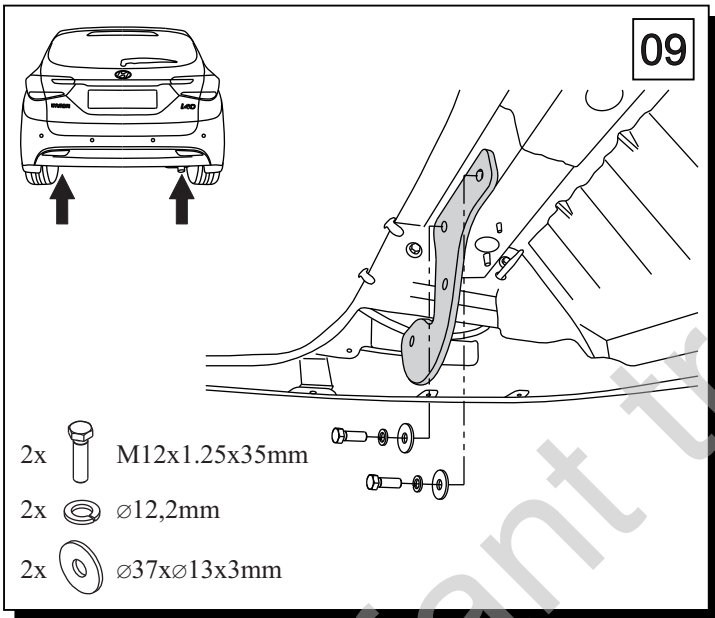
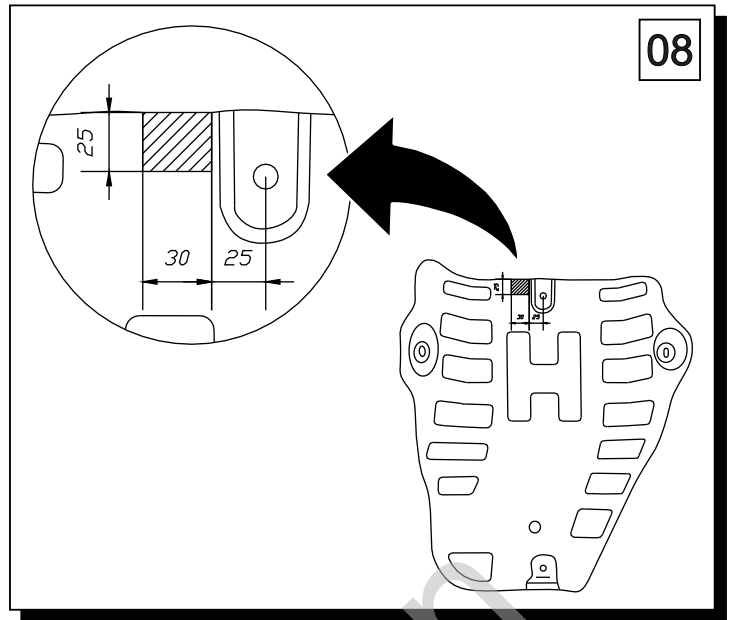
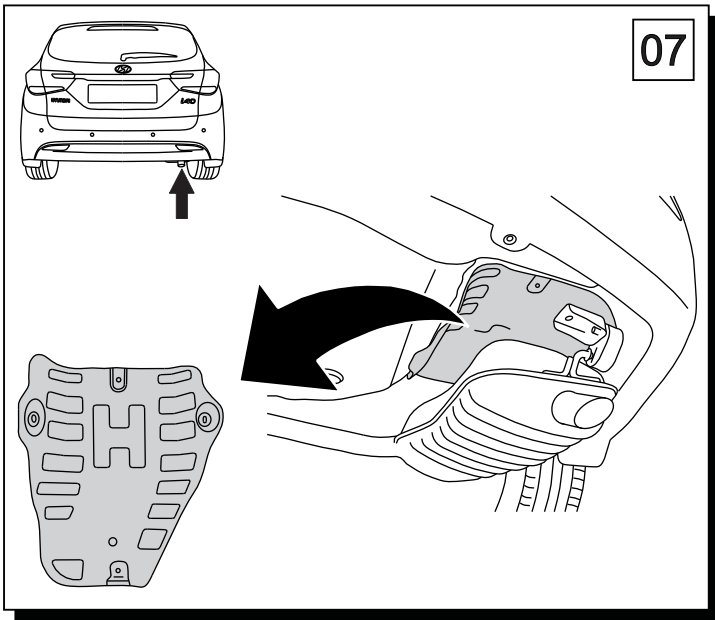
-

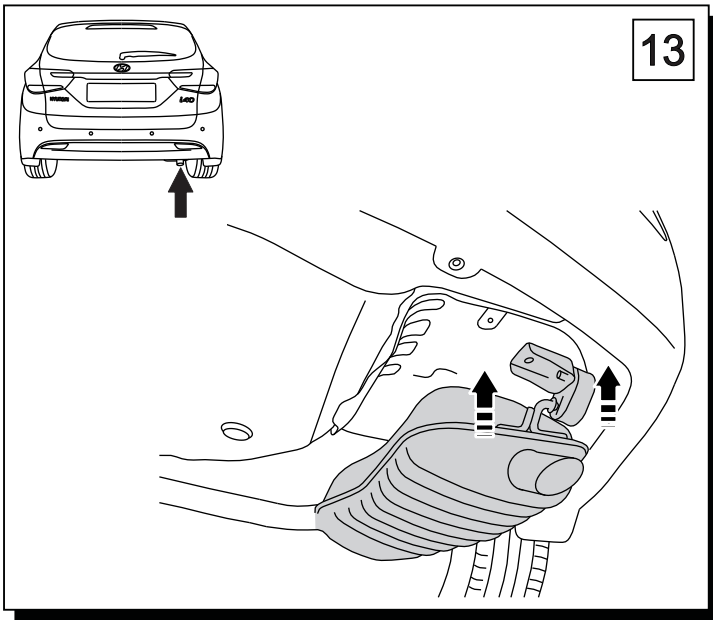




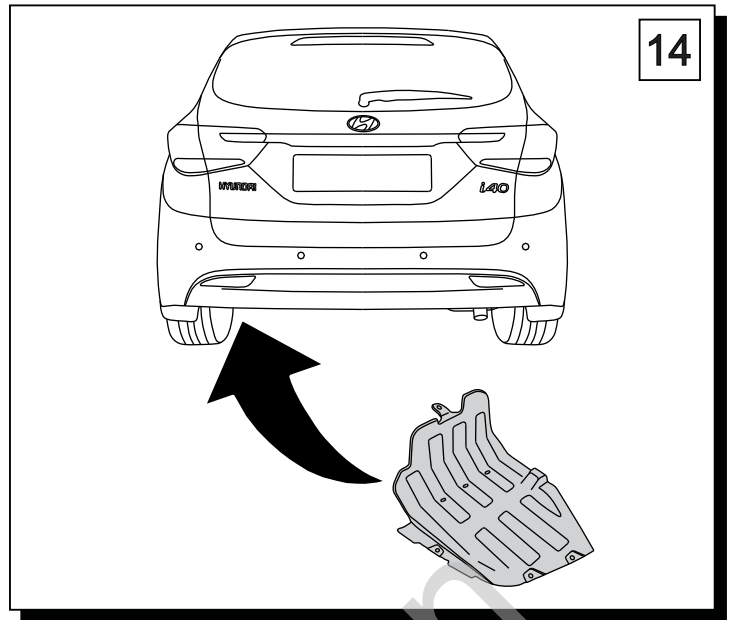
	x1		6	M12x40	x4	
			7	M12x1.25x35	x4	
				8	M12	x4
				9	∅ 13	x4
	x1		10	∅ 37x∅13x3	x4	
			13	(DIN 9021)	x4	
	x1		11	∅ 12.2	x8	
			Art.nr-BL1J64A			
	x1					
	x1					



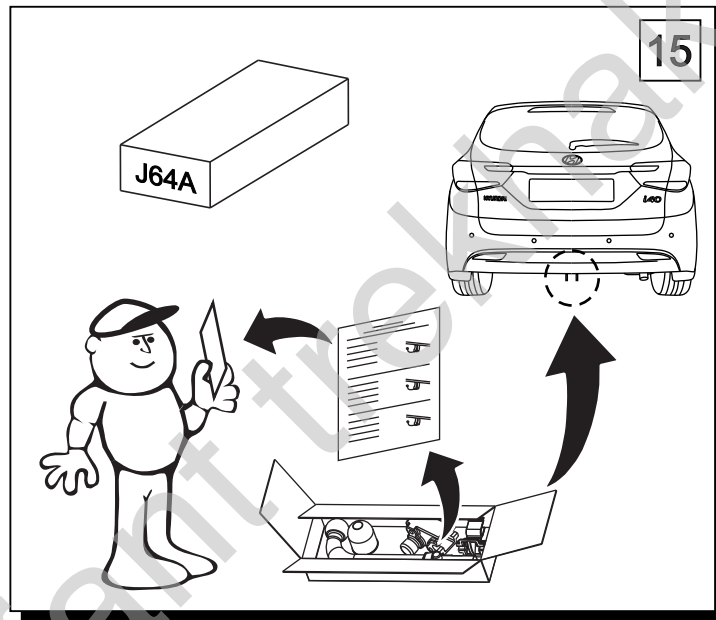





13





14



15

	M6 - 11 Nm	M8 - 25 Nm
	M10 - 50 Nm	M12 - 87 Nm
	M14 - 138 Nm	M16 - 210 Nm

 **0 km** →  **1000 km**