

PPUH AUTO-HAK Sp.J.

Henryk i Zbigniew Nejman
ul. Słoneczna 16K 76-200 SŁUPSK
POLAND

tel/fax +48 59 8 414 414; +48 59 8 414 413

e-mail: office@autohak.com.pl

www.autohak.com.pl



AUTO-HAK



HYUNDAI ELANTRA

Cat. no:

J63A



2011 → 12.2015

e20

e20*94/20*1478*00

D

8,22 kN



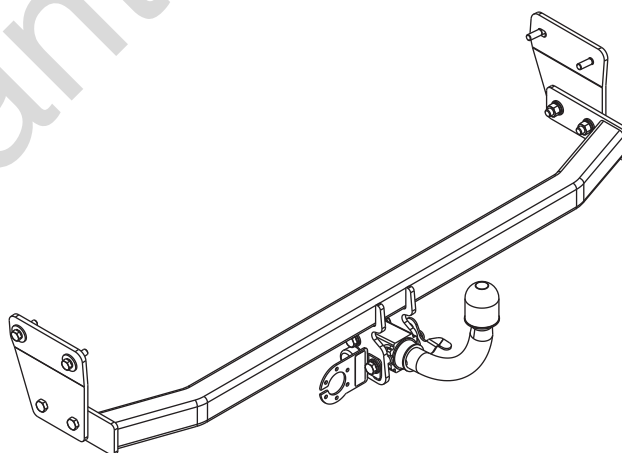
2h



R=1500 kg



S=75 kg



M6 - 11 Nm
M10 - 50 Nm
M14 - 138 Nm

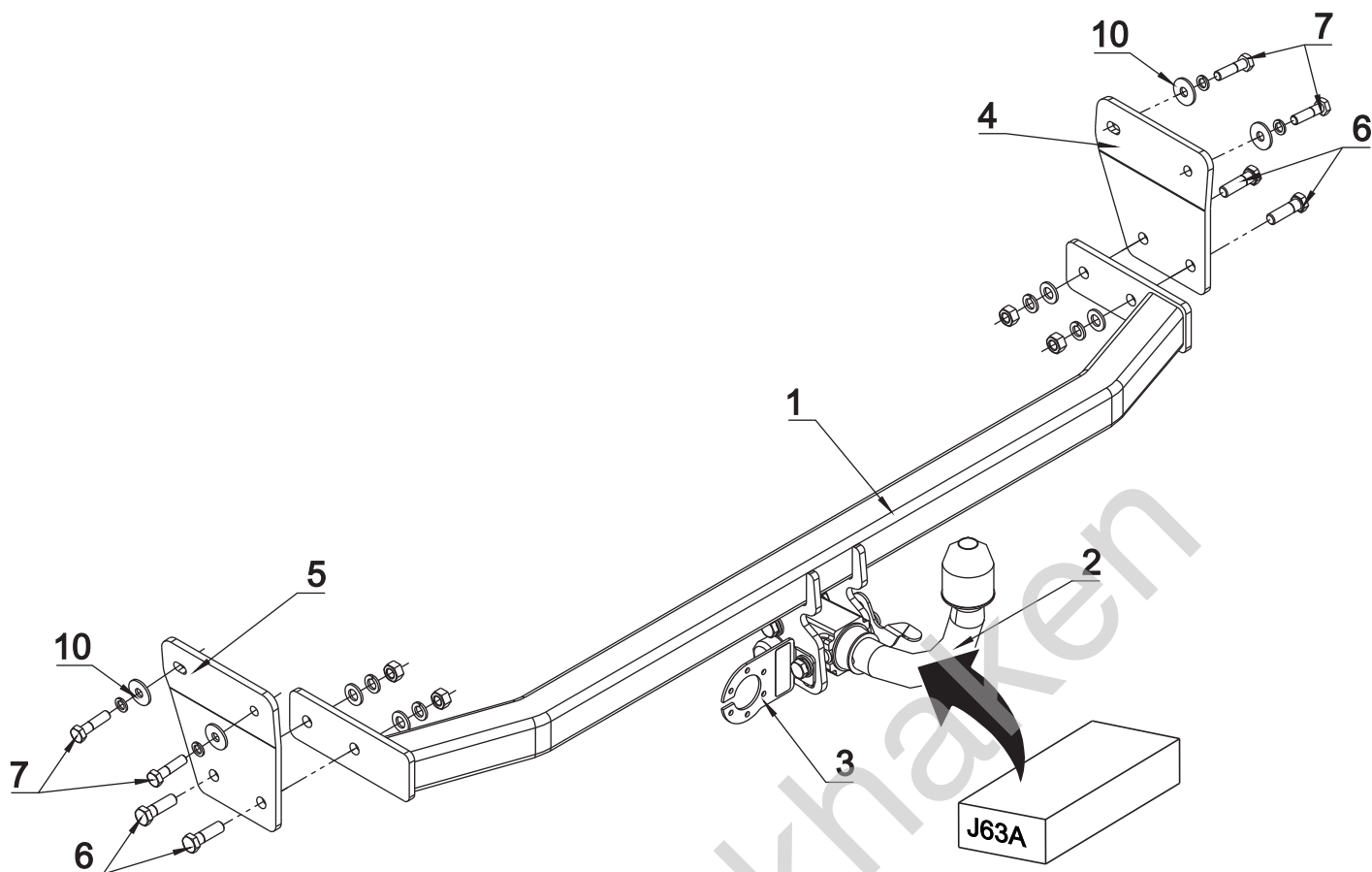
M8 - 25 Nm
M12 - 87 Nm
M16 - 210 Nm

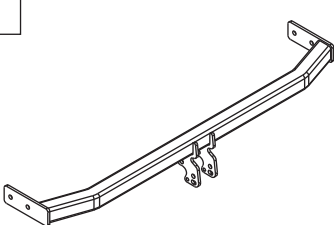



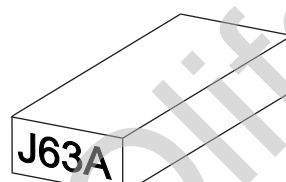


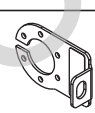


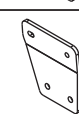



0 km →



1000 km



 1	x1		6 M12x40	x4	
			7 M10x1.25x40	x4	
				8 M12	x4
				9 \varnothing 13	x4
 J63A Art.nr-KL1J63A	x1		10 \varnothing 30x \varnothing 10.5x2.5 10 DIN 9021	4	
				11 \varnothing 12.2	x4
 3 Art.nr-BL1J63A	x1		12 \varnothing 10.2	x4	
				4	
	5	x1			
	6	x1			

