

# PPUH AUTO-HAK Sp.J.

Henryk i Zbigniew Nejman  
ul. Słoneczna 16K 76-200 SŁUPSK  
POLAND

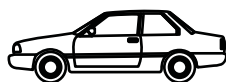
tel/fax +48 59 8 414 414; +48 59 8 414 413

e-mail: [office@autohak.com.pl](mailto:office@autohak.com.pl)

[www.autohak.com.pl](http://www.autohak.com.pl)



# AUTO-HAK



HYUNDAI ix35  
2+4 WD

{ 03.2010 → 09.2013  
{ 09.2013 →

KIA SPORTAGE 09.2010 → 01.2016  
2/4 WD, (SL)

Cat. no:

**J60A**



E20-55R-01 4327



1,5h

**D**

10,14 kN



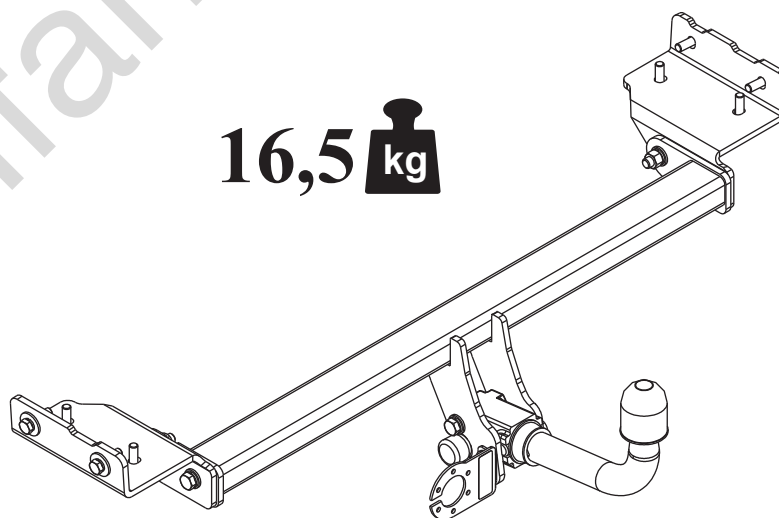
R=2000 kg

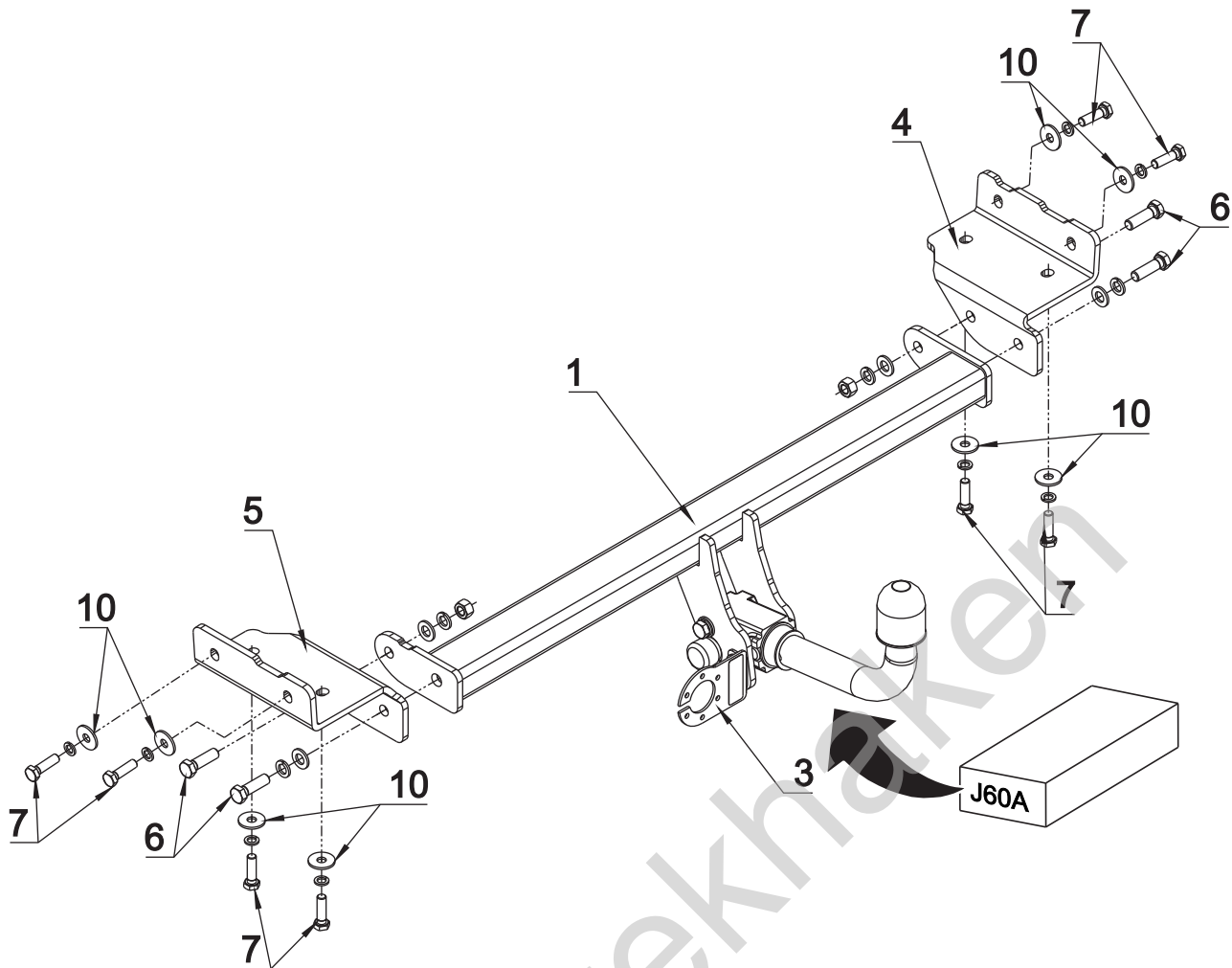


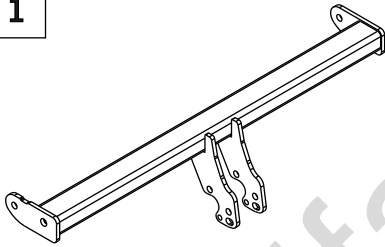

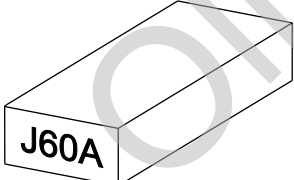
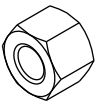
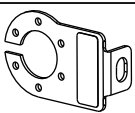

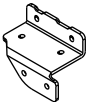
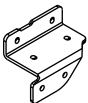
S=80 kg

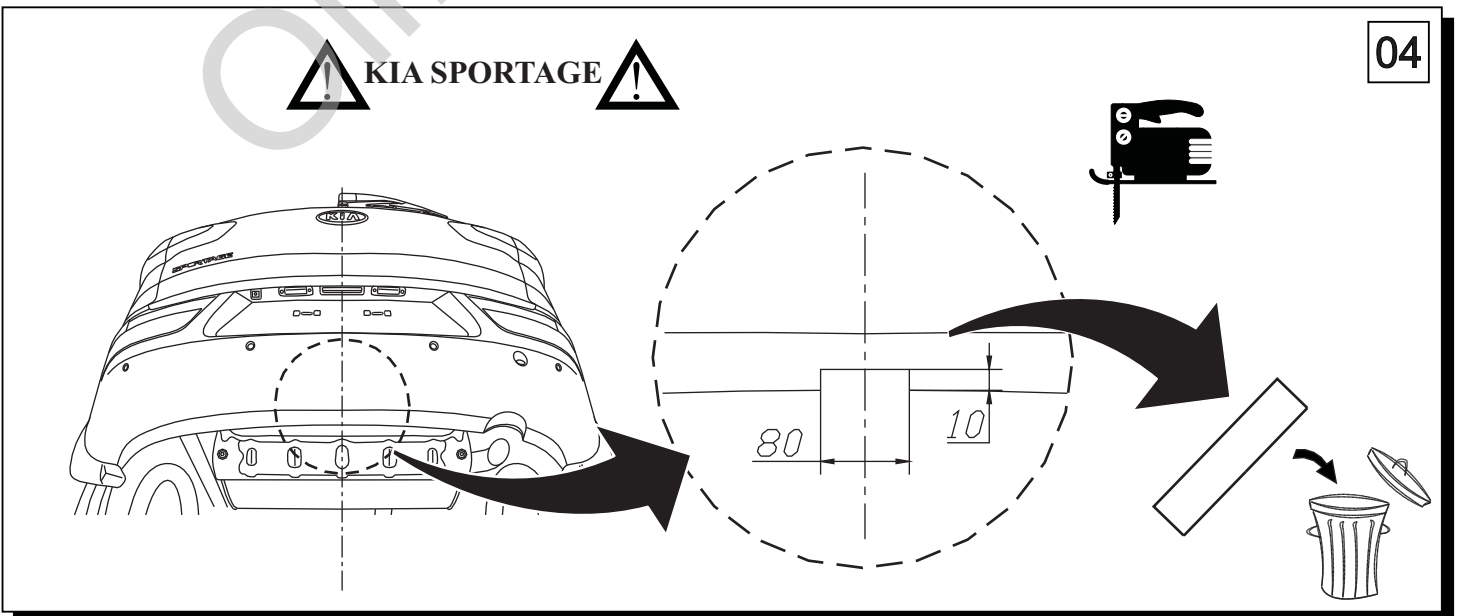
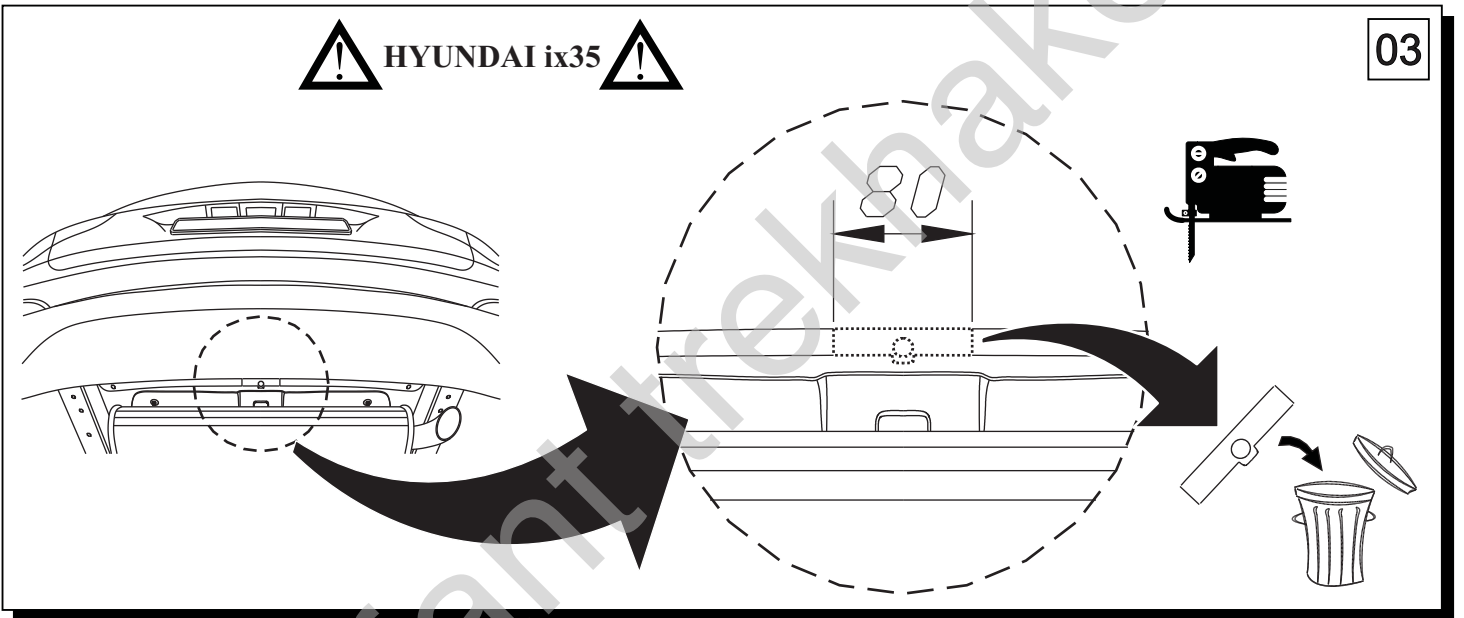
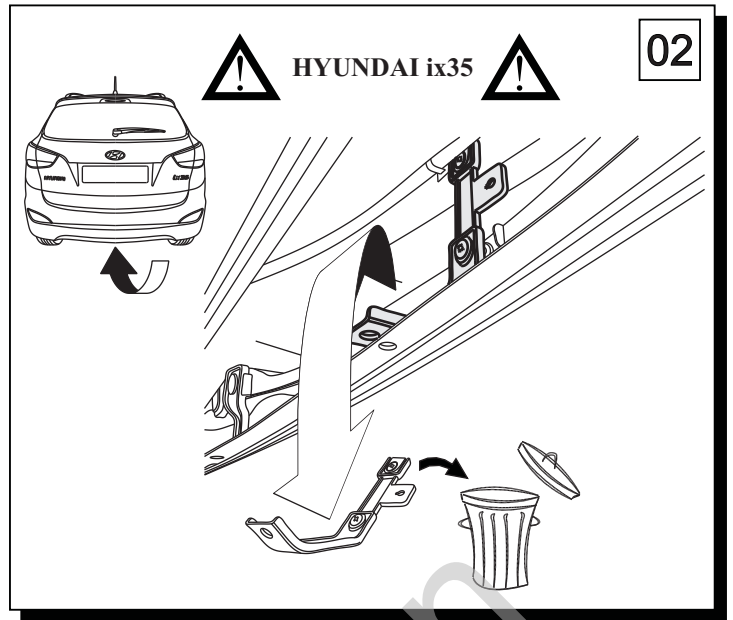
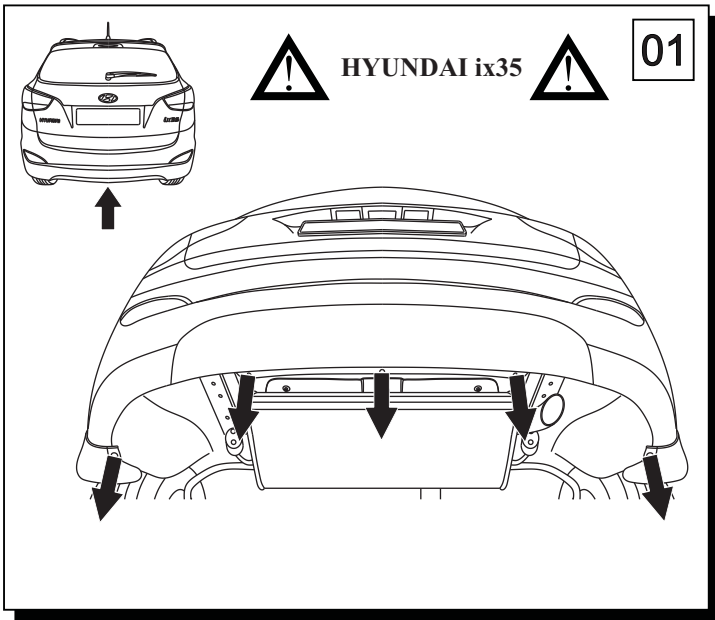


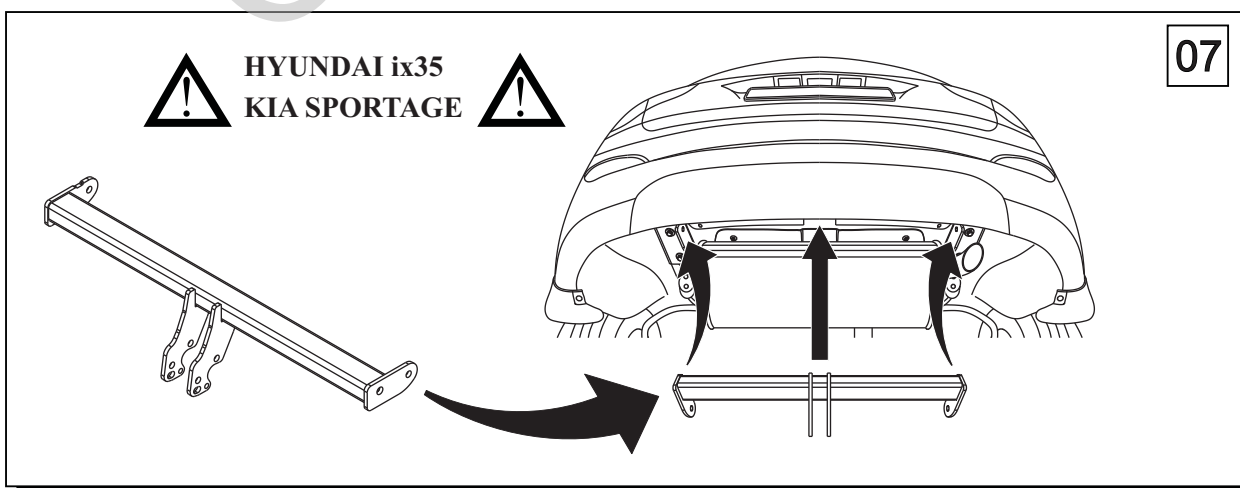
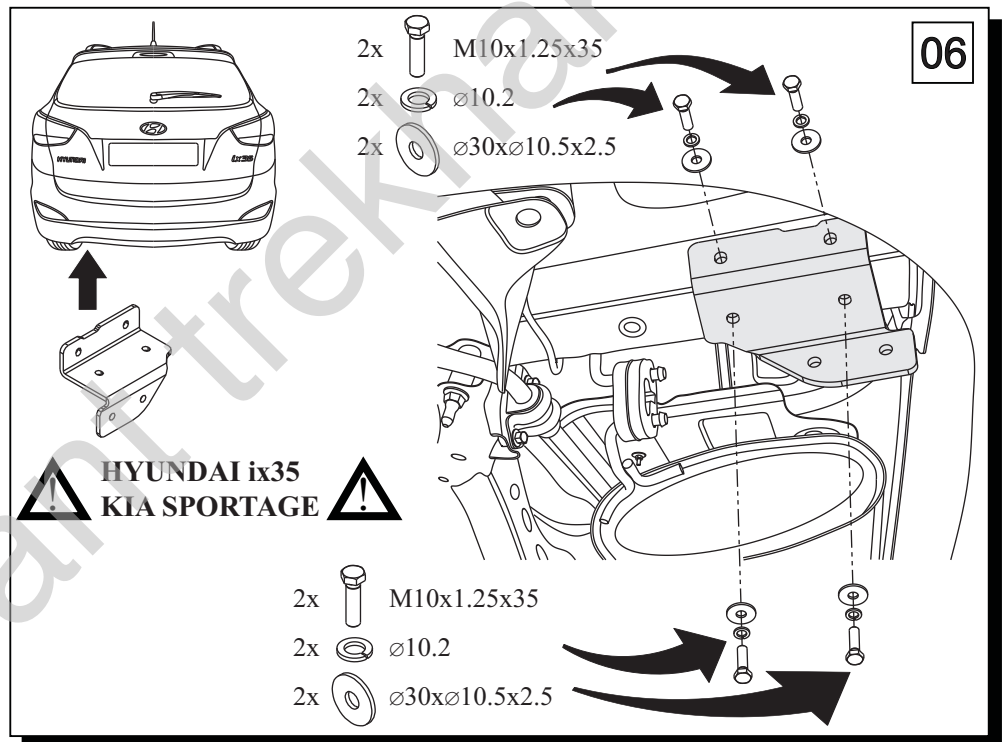
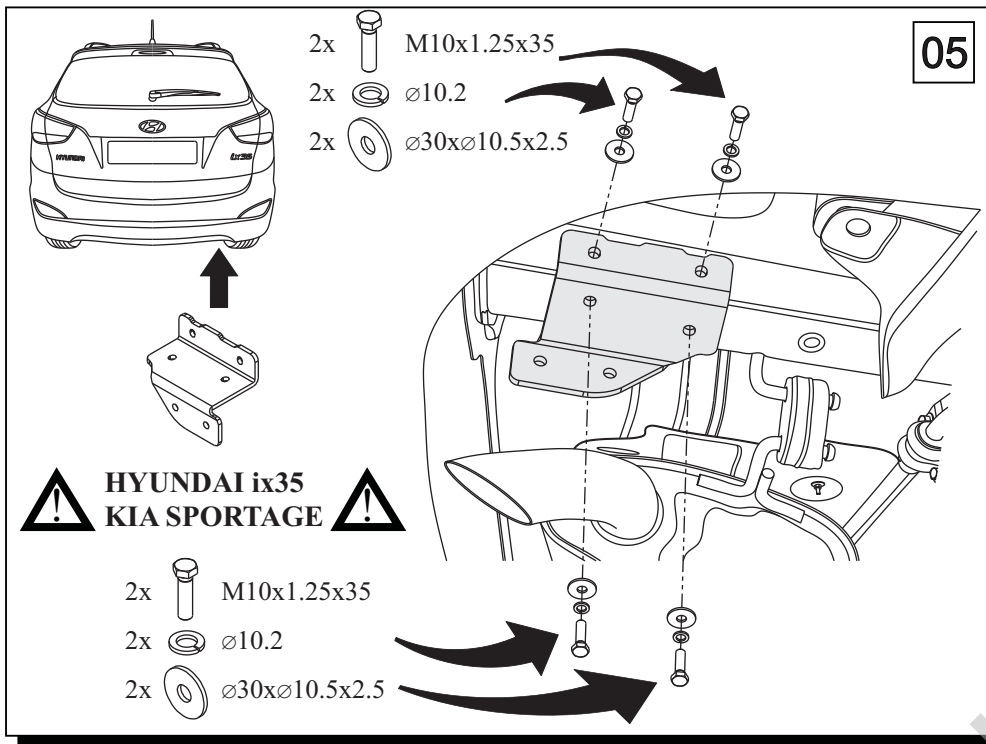
16,5 kg

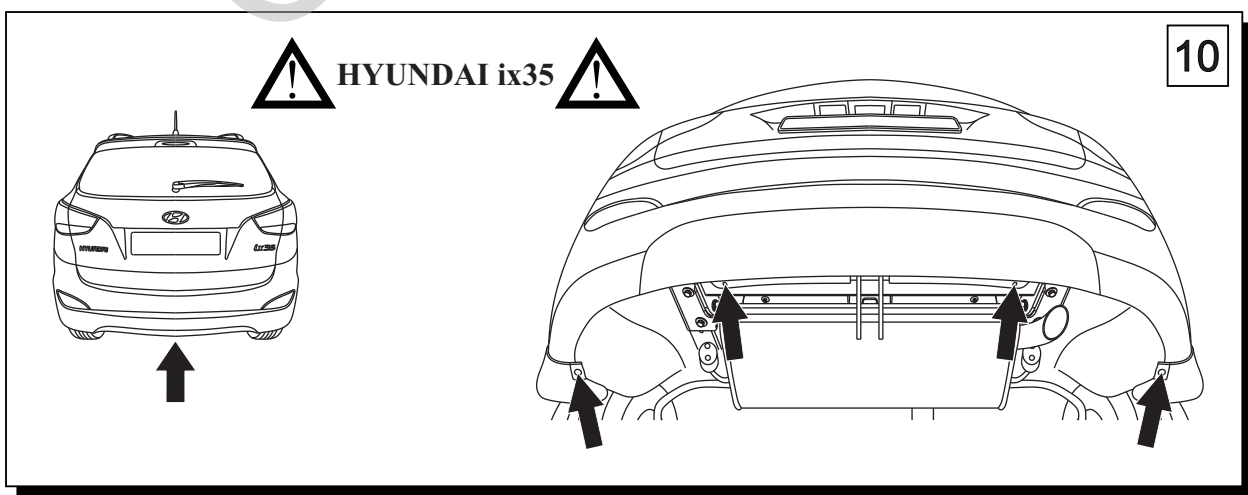
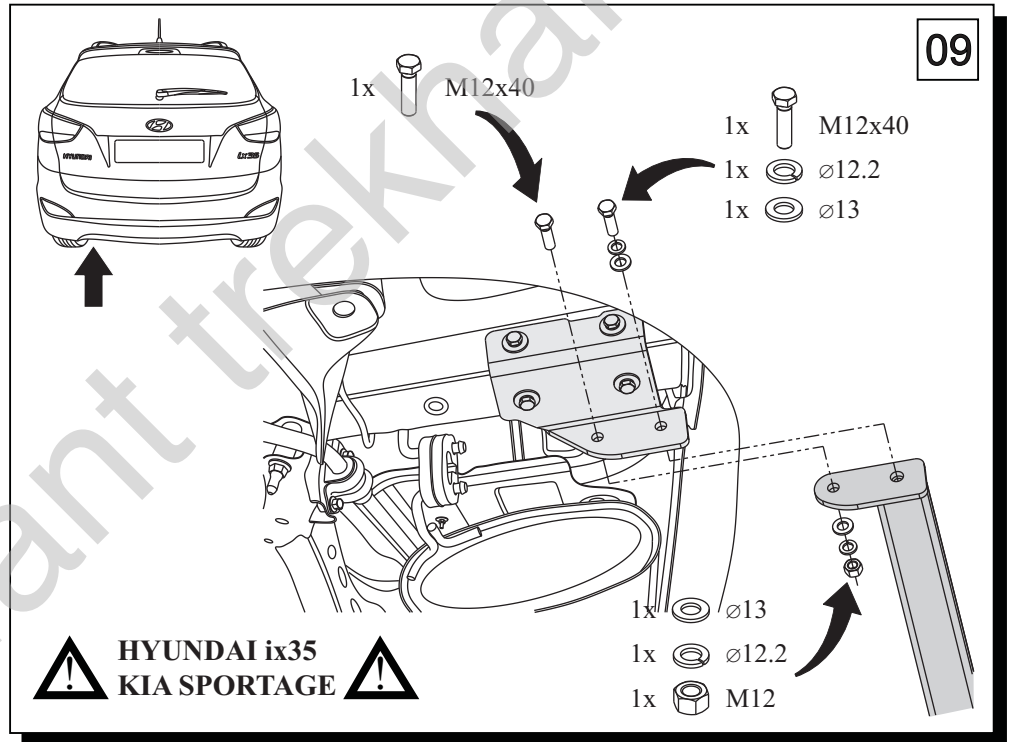
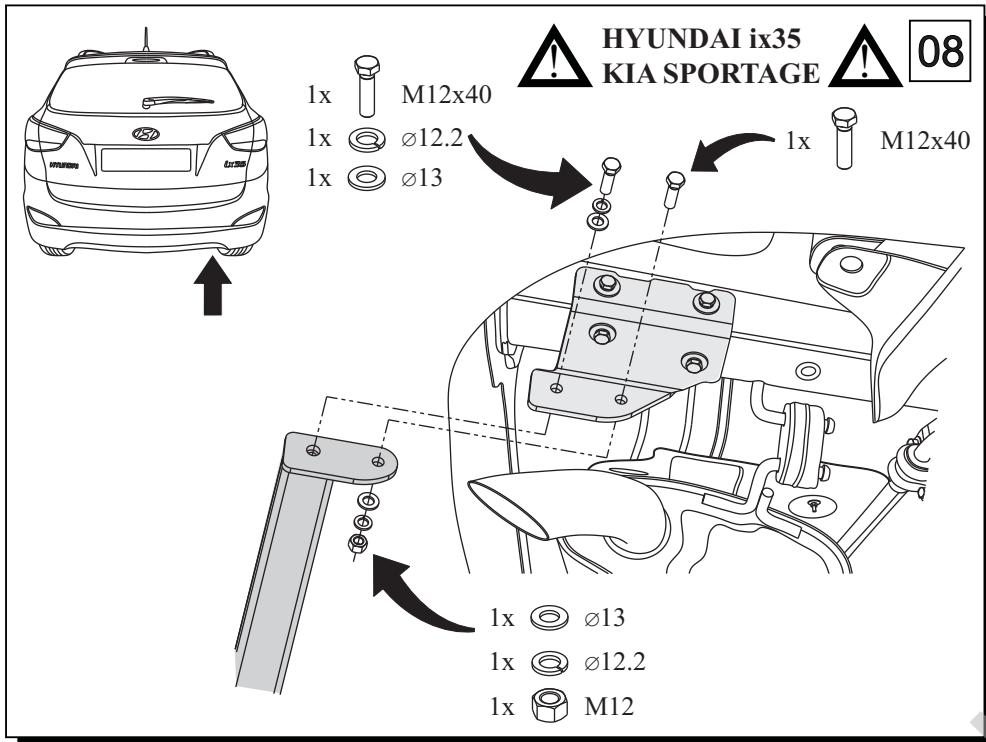





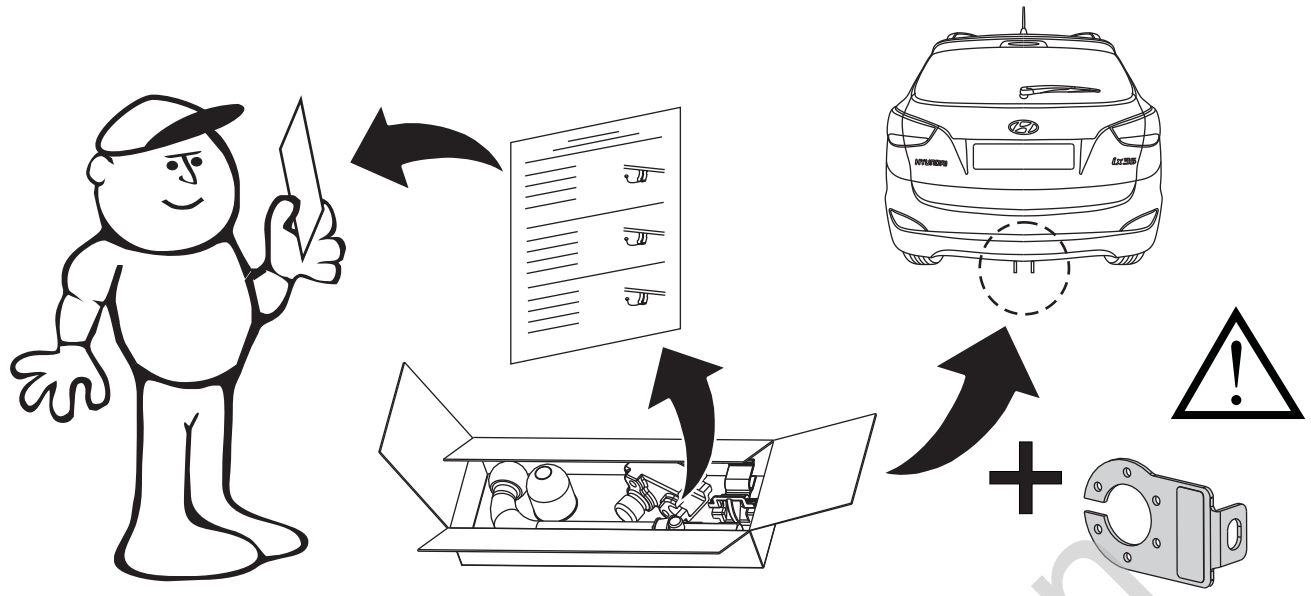
|   |   |    |   |    |             |   |
|---|---|----|---|----|-------------|---|
| 1 |  | x1 |  | 6  | M12x40      | x4  |
|   |   |    |   | 7  | M10x1.25x35 | x8  |
| 2 |  | x1 |  | 8  | M12         | x2  |
|   |   |    |   | 9  | $\phi$ 13   | x4  |
|   |   |    |   |    | 10          | $\phi$ 30x $\phi$ 10.5x2.5<br>10 – DIN 9021 |
| 3 |  | x1 |  | 11 | $\phi$ 12.2 | x4  |
|   |   |    |   | 12 | $\phi$ 10.2 | x8  |
| 4 |  | x1 |   |    |             |   |
| 5 |  | x1 |   |    |             |   |









11



|            |   |        |            |   |        |
|------------|---|--------|------------|---|--------|
| <b>M6</b>  | - | 11 Nm  | <b>M8</b>  | - | 25 Nm  |
| <b>M10</b> | - | 50 Nm  | <b>M12</b> | - | 87 Nm  |
| <b>M14</b> | - | 138 Nm | <b>M16</b> | - | 210 Nm |

 **0 km** →  **1000 km**