

PPUH AUTO-HAK Sp.J.

Henryk & Zbigniew Nejman
ul. Słoneczna 16K 76-200 SŁUPSK
POLAND

tel/fax +48 059 8-414-414; 8-414-413

e-mail: office@autohak.com.pl

www.autohak.com.pl



AUTO-HAK



HYUNDAI
i30 CW (KOMBI)

Cat. no:

J57A



03.2008 → 07.2010

e20

e20*94/20*0454*00

D

8,7 kN



1,5h



R=1500 kg



-

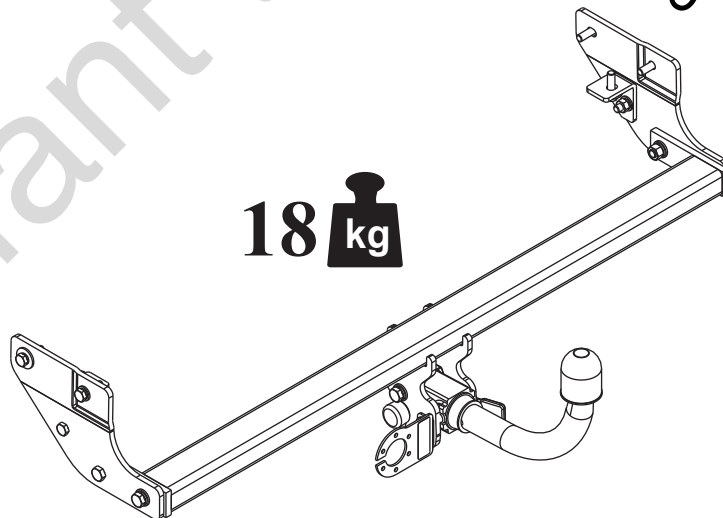


S=80 kg



-

18 kg



M6 - 11 Nm
M10 - 50 Nm
M14 - 138 Nm

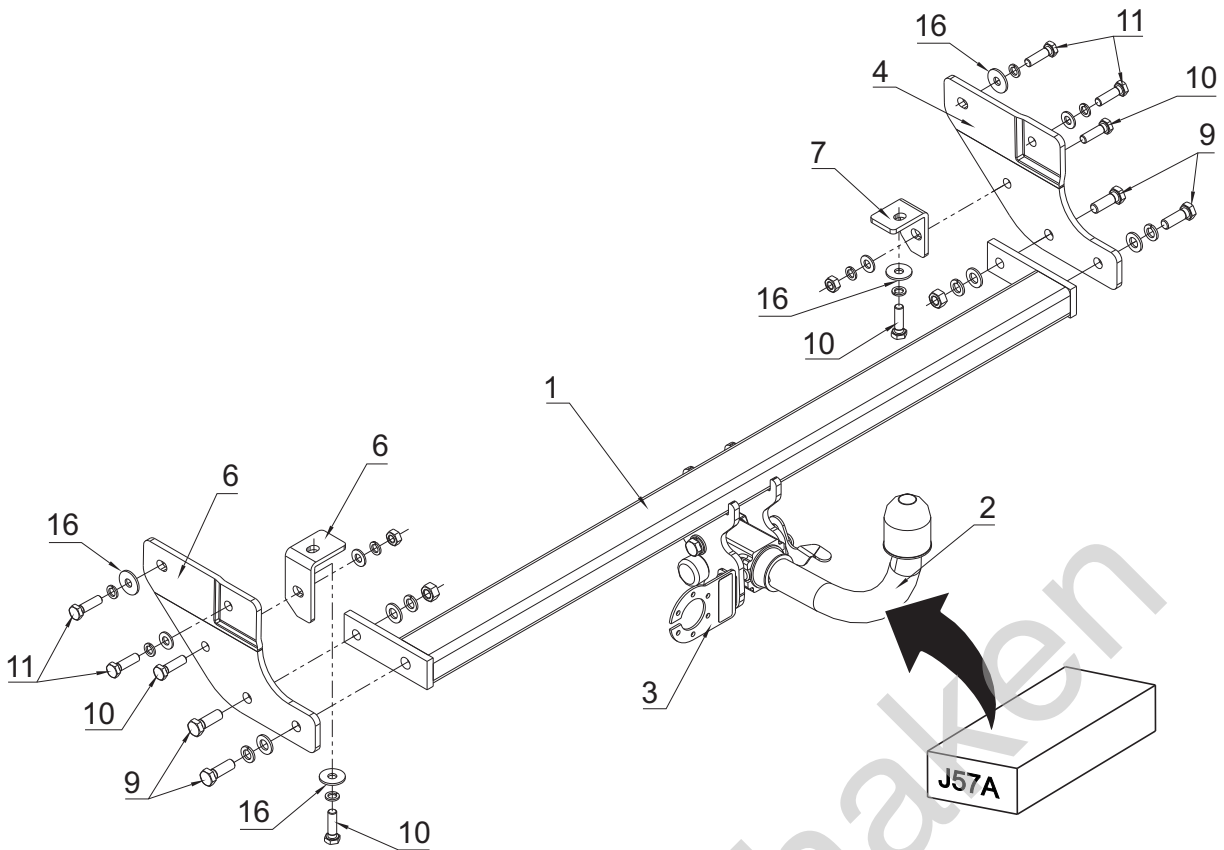
M8 - 25 Nm
M12 - 87 Nm
M16 - 210 Nm

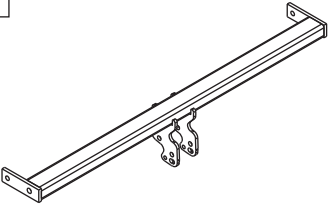
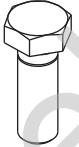

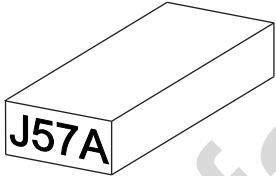

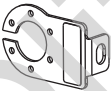

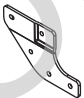
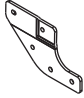





0 km →



1000 km



1 	x1	 	9 M12x35	x4
			10 M10x35	x2
			11 M10x1.25x35	x6
			12 M12	x2
			13 M10	x2
			14 \varnothing 13	x4
2  Art. nr-KL1J57A	x1		15 \varnothing 10.5	x4
			16 \varnothing 30x \varnothing 10.5x2.5	x4
			10 - DIN 9021	
3  Art. nr-BL1J57A	x1		17 \varnothing 12.2	x4
			18 \varnothing 10.2	x8
4 	x1			
5 	x1			
6 	x1			
7 	x1			
8 	x1			

