

PPUH AUTO-HAK Sp.J.

Henryk i Zbigniew Nejman
ul. Słoneczna 16K 76-200 SŁUPSK
POLAND

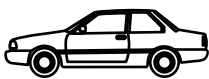
tel/fax +48 59 8 414 414; +48 59 8 414 413

e-mail: office@autohak.com.pl

www.autohak.com.pl



AUTO-HAK



HYUNDAI ACCENT
3/5D, 4D MC

Cat. no:

J56A



12.2005 → 2010

e20

e20*94/20*0394*00



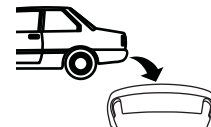
2h

D

7,5 kN



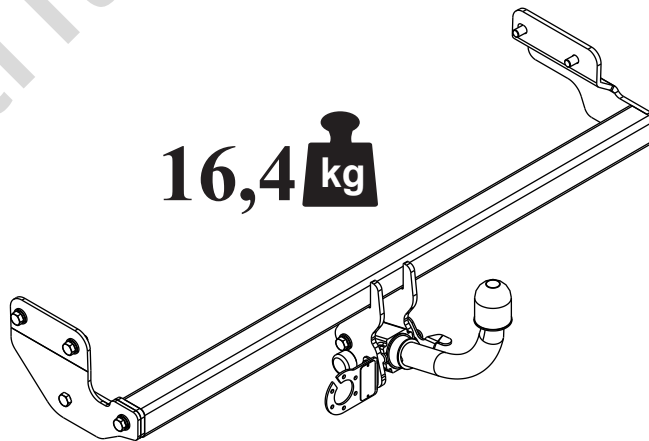
R=1400 kg



S=50 kg



16,4 kg



M6 - 11 Nm
M10 - 50 Nm
M14 - 138 Nm

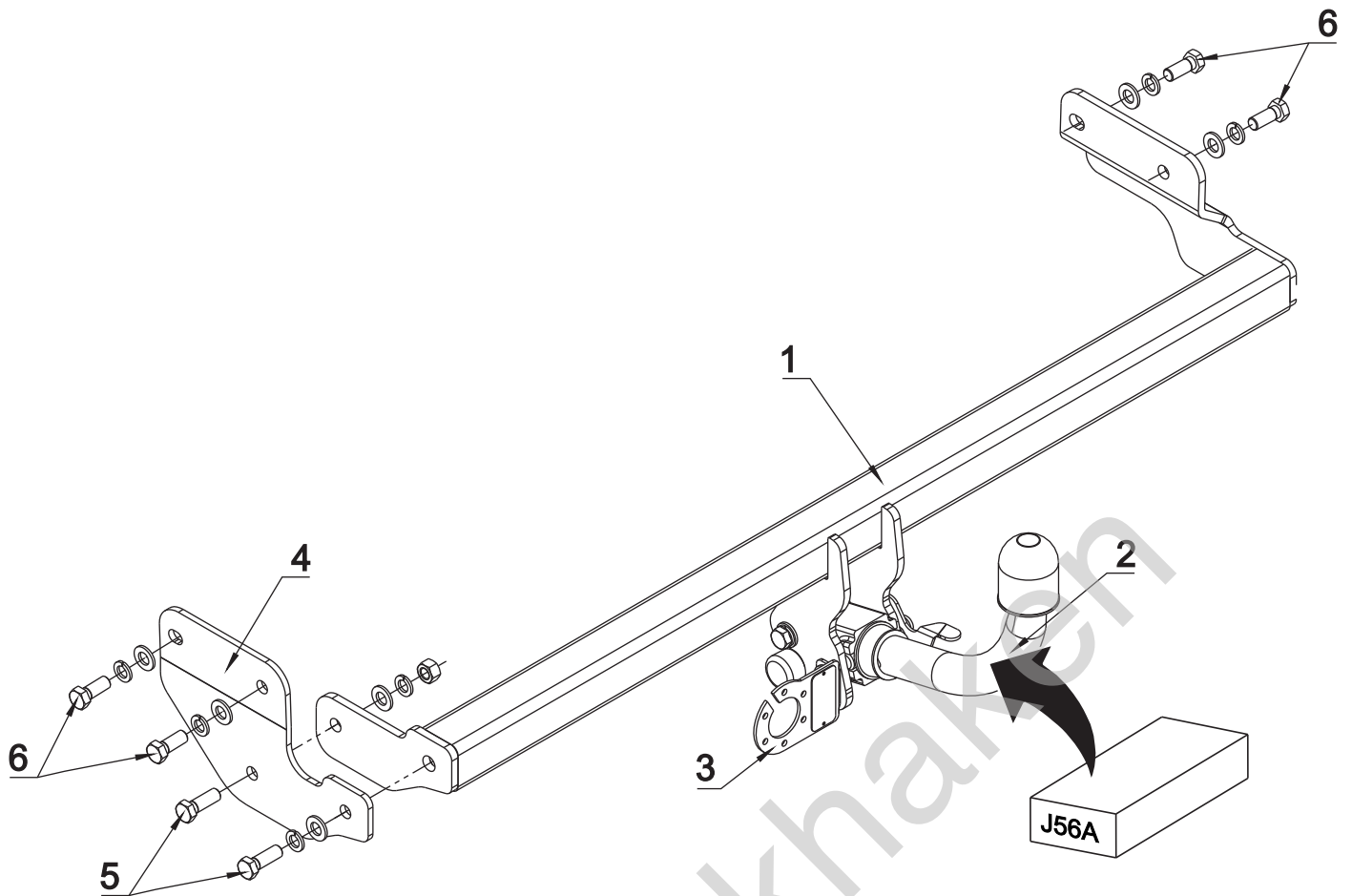
M8 - 25 Nm
M12 - 87 Nm
M16 - 210 Nm

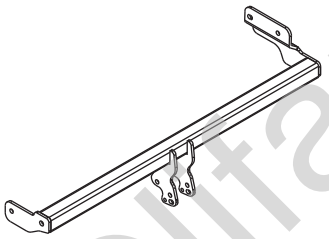
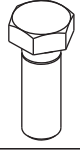

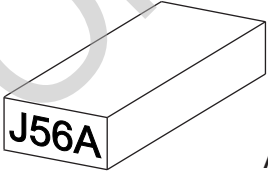


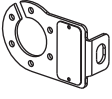
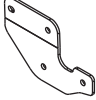


0 km →



1000 km



1		x1		5 M12x35	x2
				6 M12x1.25x30	x4
				7 M12	x1
2	 <p data-bbox="293 1662 402 1706">J56A</p>	x1		8 \varnothing 13	x6
	Art.nr-KL1J56A			9 \varnothing 12.2	x6
3		x1			
	Art.nr-BL1J56A				
4		x1			

