

PPUH AUTO-HAK Sp.J.

Henryk i Zbigniew Nejman
ul. Słoneczna 16K 76-200 SŁUPSK
POLAND

tel/fax +48 59 8 414 414; +48 59 8 414 413

e-mail: office@autohak.com.pl

www.autohak.com.pl



AUTO-HAK



**HYUNDAI SANTA FE
5D (CM), 2+4WD**

Cat. no:

J54A



03.2006 → 09.2012



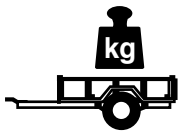
E20-55R-01 4687



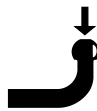
2h



13,6 kN



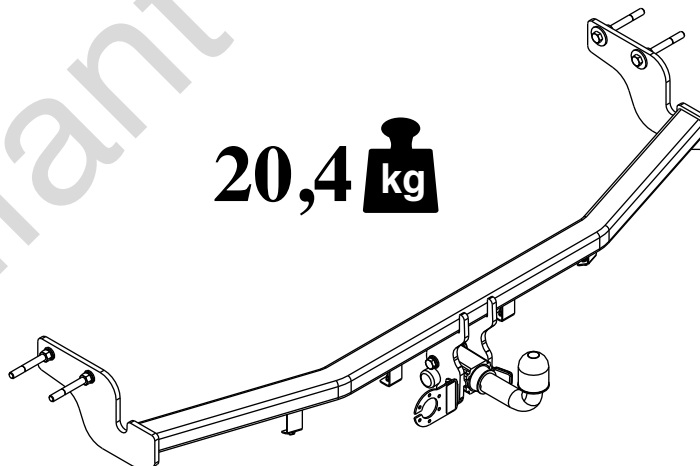
R=2700 kg



S=100 kg



20,4 kg



**M6 - 11 Nm
M10 - 50 Nm
M14 - 138 Nm**

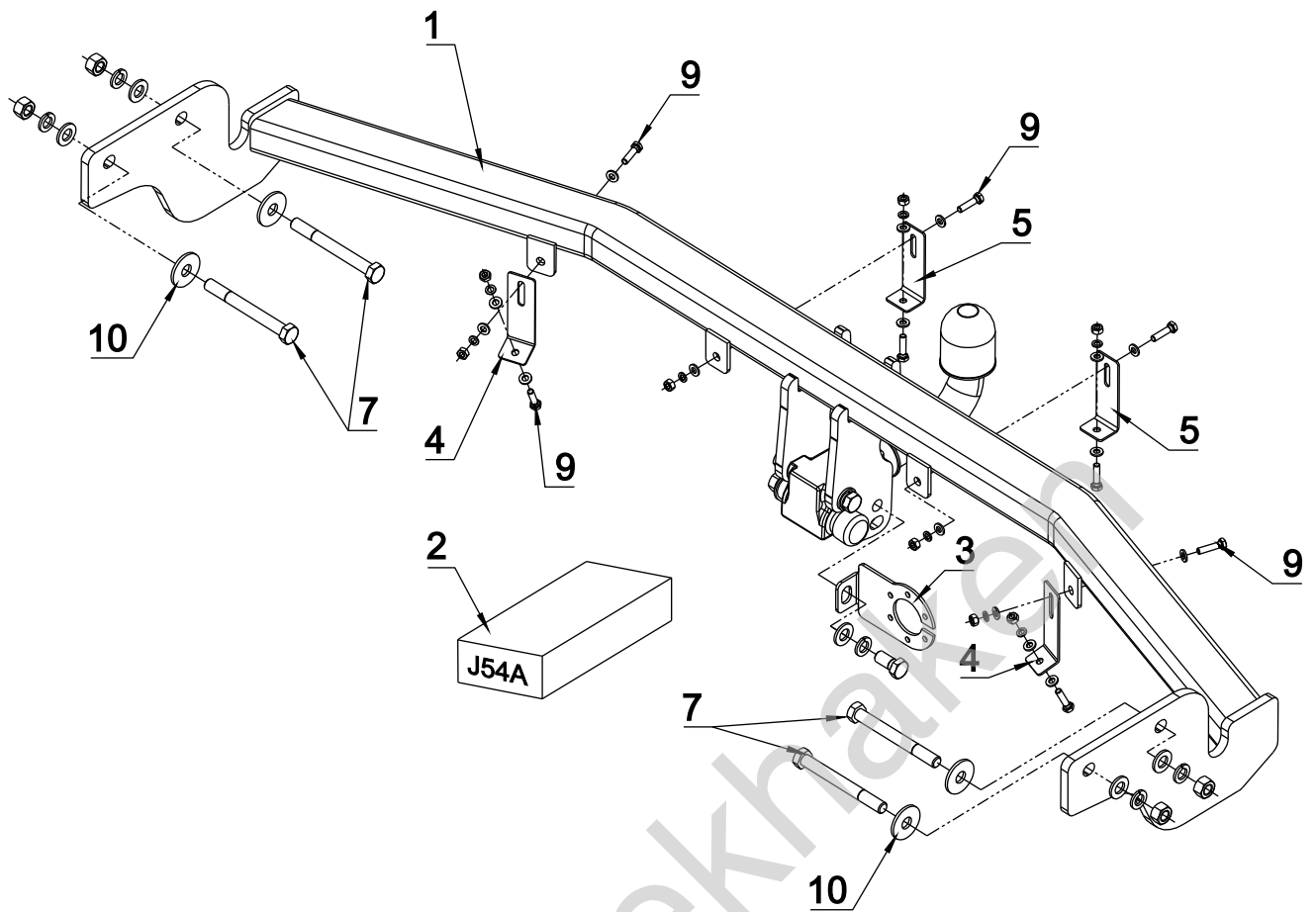
**M8 - 25 Nm
M12 - 87 Nm
M16 - 210 Nm**

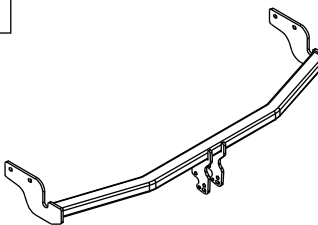




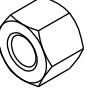











0 km →

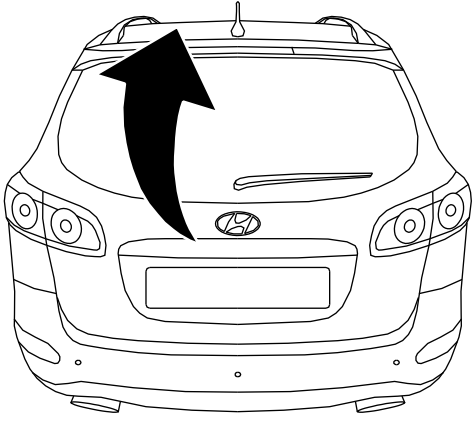


1000 km

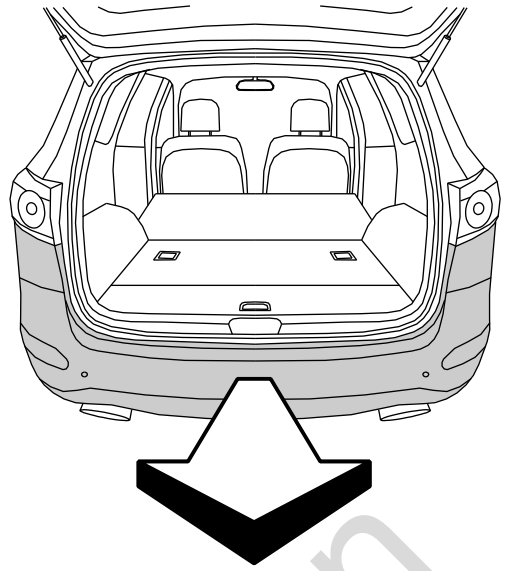


1		x 1	        	7	M12x110	x 4
				8	M6x25	x 8
				9	\varnothing 37x \varnothing 13x3 13 (DIN 9021)	x 4
				10	\varnothing 13	x 4
2		x 1	Art.nr-KL1J54A Art.nr-Z100	11	\varnothing 6.4	x 16
				12	\varnothing 12.2	x 4
3		x 1	Art.nr-BL1J54A	13	\varnothing 6.1	x 8
				14	M12	x 4
4		x 2		15	M6	x 8
				5		x 2
6		x 1				

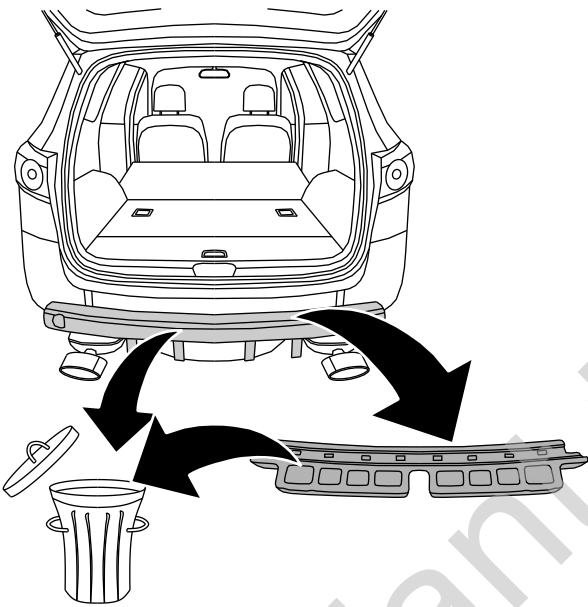
01



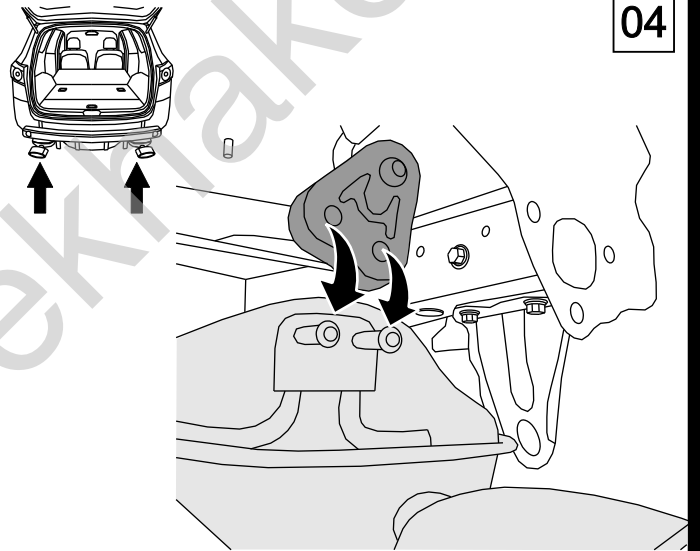
02



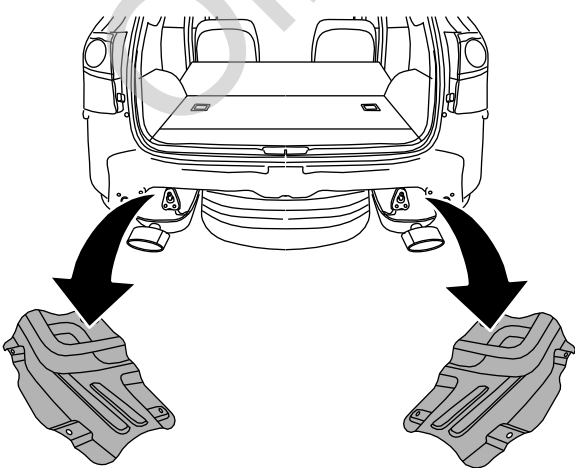
03



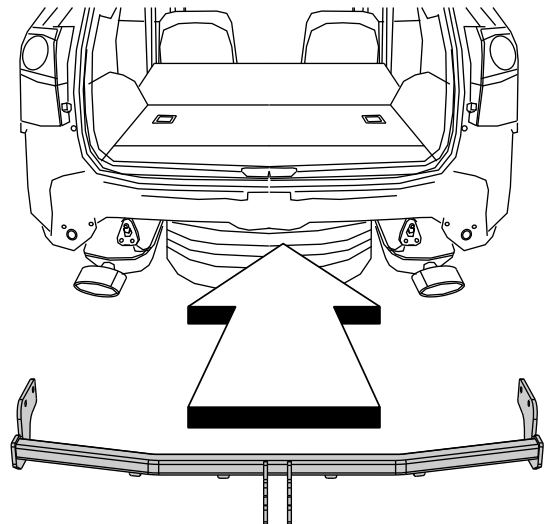
04

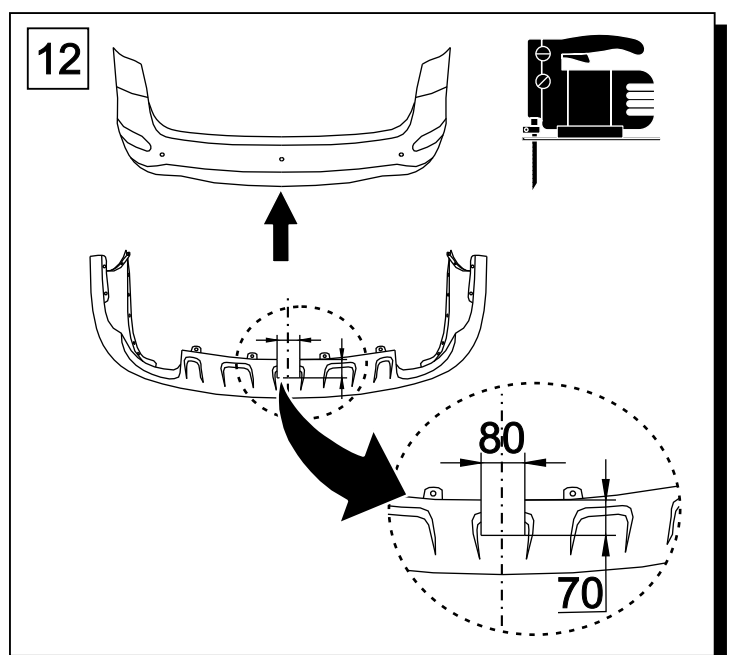
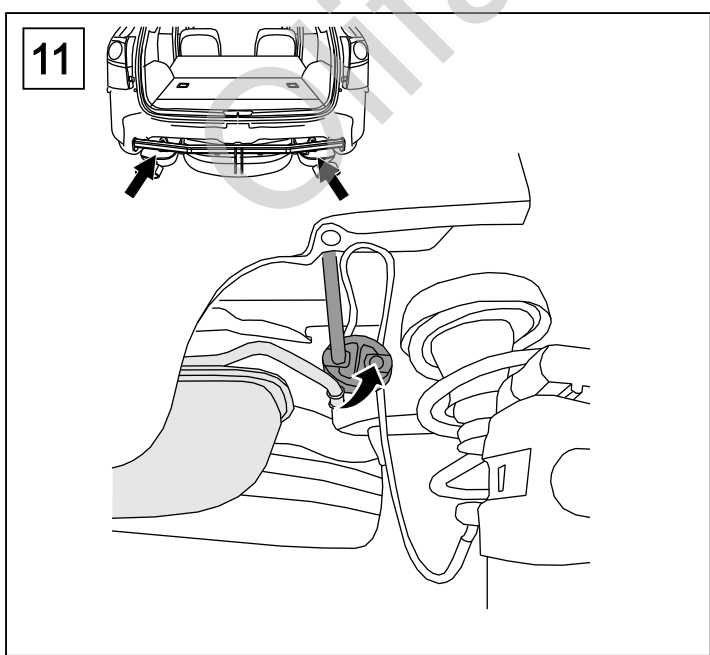
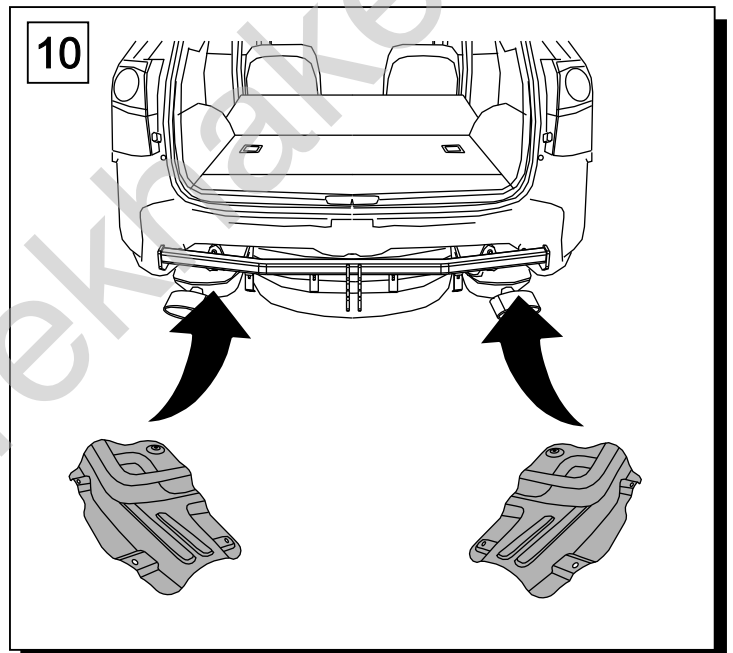
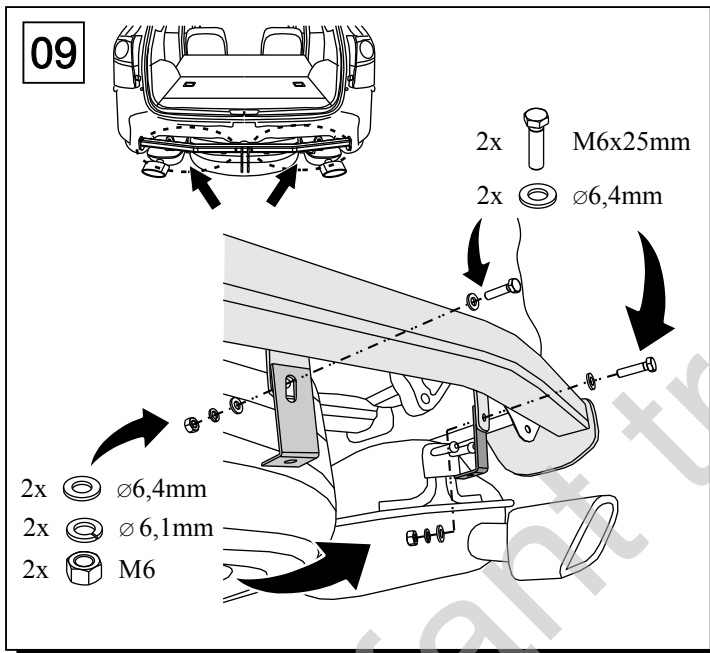
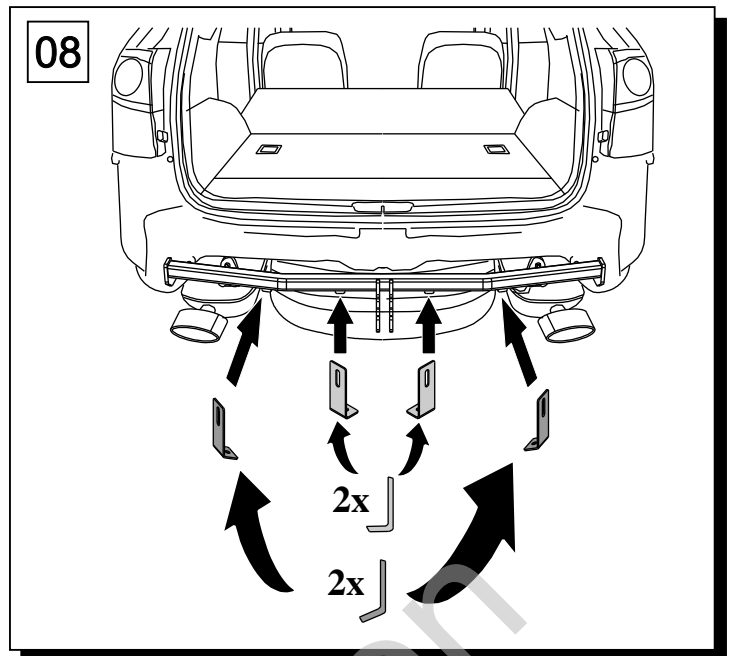
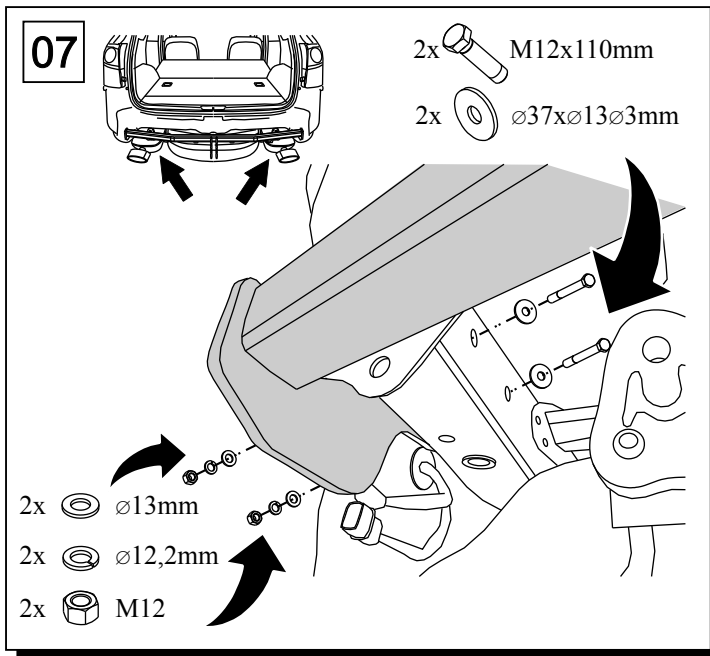


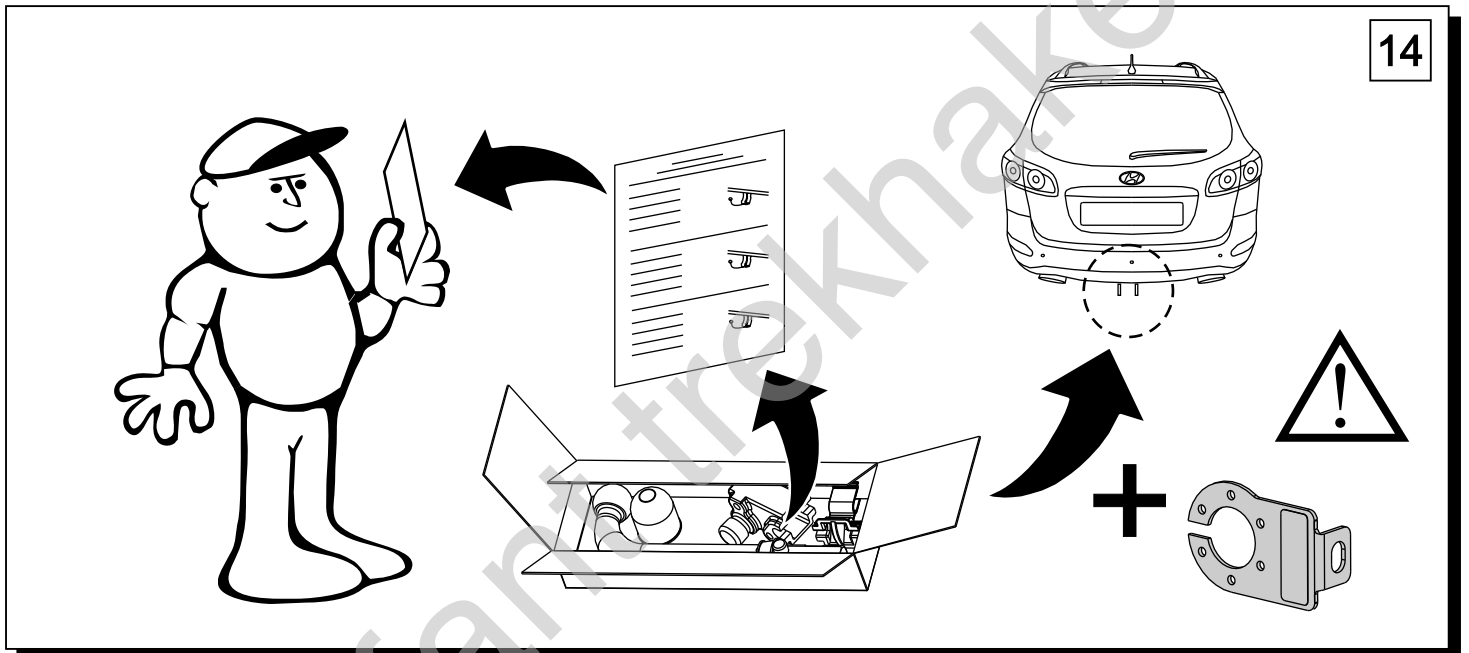
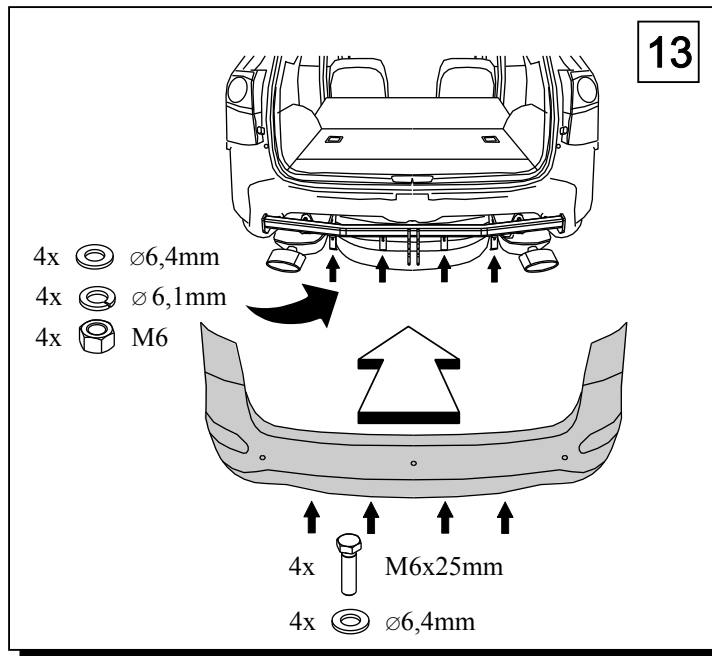
05



06







	M6 - 11 Nm	M8 - 25 Nm
	M10 - 50 Nm	M12 - 87 Nm
	M14 - 138 Nm	M16 - 210 Nm

0 km → 1000 km