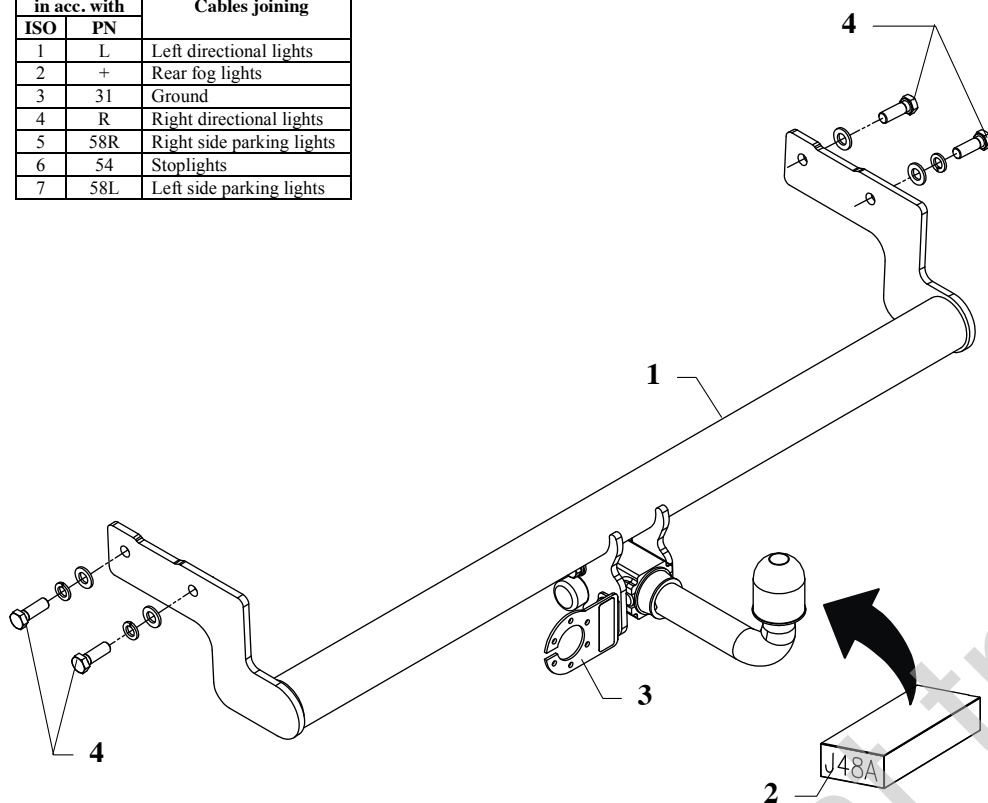


## FITTING INSTRUCTION

| Clamp mark in acc. with |     | Cables joining            |
|-------------------------|-----|---------------------------|
| ISO                     | PN  |                           |
| 1                       | L   | Left directional lights   |
| 2                       | +   | Rear fog lights           |
| 3                       | 31  | Ground                    |
| 4                       | R   | Right directional lights  |
| 5                       | 58R | Right side parking lights |
| 6                       | 54  | Stoptlights               |
| 7                       | 58L | Left side parking lights  |



This towbar is designed to assembly in following car:  
**HYUNDAI ACCENT 3/5 doors (X-3)**, produced since 10.1994 till 12.1999, catalogue no. **J48A** and is prepared to tow trailers max total weight **1400 kg** and max vertical load **60 kg**.

### *From manufacturer*

Thank you for buying our product. Their reliability has been confirmed in many tests. Reliability of towbar depends also on correct assembly and right operation. For this reasons we kindly ask to read carefully this instruction and apply to hints.

*The towbar should be install in points described by a car producer.*

## Fitting instructions

1. Put main bar of the towbar (pos. 1) to chassis members of the car and fix it by bolts M12x1,25x35mm (pos. 4) – loosely.
2. Fix body of the automat and place tow-ball according to supplied instruction. Note! Remember to place socket plate (pos. 3) as shown on the drawing 1.
3. Tighten all bolts according to the torque shown in the table.
4. Connect electric wires of 7-poles socket according to the instruction of the car. (Recommend to make at authorized service station)
5. Complete paint layer damaged during installation.

### Torque settings for nuts and bolts (8,8):

|             |              |              |
|-------------|--------------|--------------|
| M6 - 11 Nm  | M8 - 25 Nm   | M10 - 50 Nm  |
| M12 - 87 Nm | M14 - 138 Nm | M16 - 210 Nm |

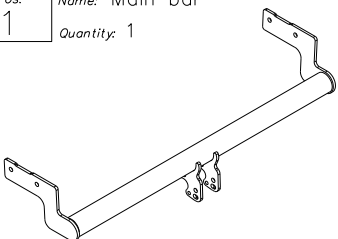

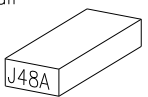
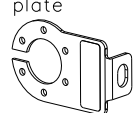
## NOTE

After install the towbar you should get adequate note in registration book (at authorised service station).The car should be equipped with:

- Indicators
- Tow mirrors

After 1000km of exploitation check all bolts and nuts. The ball of towbar must be always kept clear and conserve with a grease.

## Towbar accessories:

|   |                                   |   |  |
|---|-----------------------------------|---|--|
| Pos.<br>1   | Name: Main bar<br>Quantity: 1     | Pos.<br>4   | Name: Bolt 8,8 B<br>Quantity: 4<br>Dim.: M12x1,25x35mm |
|  |                                   | Pos.<br>5   | Name: Plain washer<br>Quantity: 8<br>Dim.: Ø 13 mm     |
|   |                                   | Pos.<br>6   | Name: Spring washer<br>Quantity: 8<br>Dim.: Ø 12,2 mm  |
| Pos.<br>2   | Name: Tow ball<br>Quantity: 1     |  |  |
|  |                                   |   |  |
| Pos.<br>3   | Name: Socket plate<br>Quantity: 1 |  |  |



**PPUH AUTO-HAK Sp. J.**

Produkcja Zaczepów Kulowych  
Henryk i Zbigniew Nejman  
76-200 SŁUPSK ul. Słoneczna 16K  
tel/fax (059) 8-414-414; 8-414-413  
E-mail: [office@autohak.com.pl](mailto:office@autohak.com.pl)  
[www.autohak.com.pl](http://www.autohak.com.pl)

## Towing hitch (without electrical set)

Class: **A50-X** Cat. no. **J48A**

Designed for:

Manufacturer: **HYUNDAI**

Model: **ACCENT**

Type: **3/5 doors (X-3)**

produced since 10.1994 till 12.1999

Technical data:

**D-value: 7,0 kN**

maximum trailer weight: **1400 kg**

maximum vertical cup load: **60 kg**

Approval number according to Directive 94/20/EC: **e20\*94/20\*1014\*00**

## Foreword

This towbar is designed according to rules of safety traffic regulations. The towing hitch is a safety component and can be install only by qualified personnel. Any alteration or conversion of the towing hitch is prohibited and would lead to cancellation of design certification. Remove insulating compound and underseal from vehicle (if present) in the area of the matting surfaces of the towing hitch.

The vehicle manufacturer's specifications regarding trailer load and max. vertical cup load are decisive for driving, and values for the towing hitch cannot be exceeded.

*D-value formula:*

$$\frac{\text{Max trailer weight [kg]} \times \text{Max vehicle weight [kg]}}{\text{Max trailer weight [kg]} + \text{Max vehicle weight [kg]}} \times \frac{9,81}{1000} = D \text{ [kN]}$$