

AUTO-HAK Sp. z o.o.

ul. Słoneczna 16K 76-200 SŁUPSK

POLAND

tel/fax +48 59 8 414 414; +48 59 8 414 413

e-mail: office@autohak.com.pl

www.autohak.com.pl



AUTO-HAK

**SKODA OCTAVIA IV
kombi**

Nr kat.

H34A



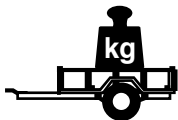
01.2020 →



E20-55R-01 5992



9,5 kN



R=1800 kg




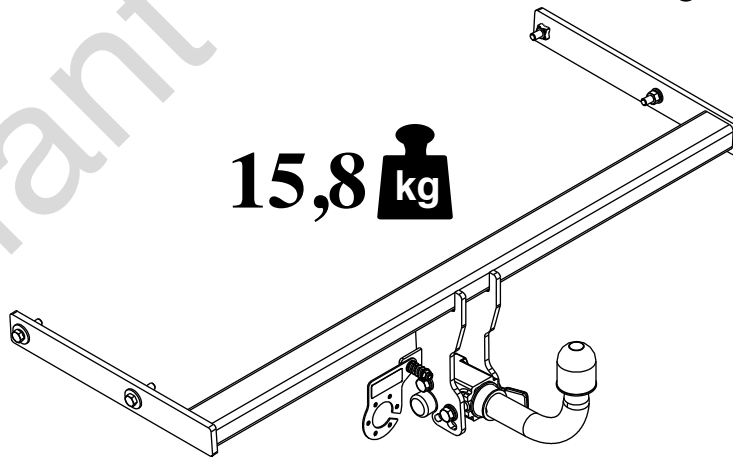
S=100 kg



2h



15,8  kg



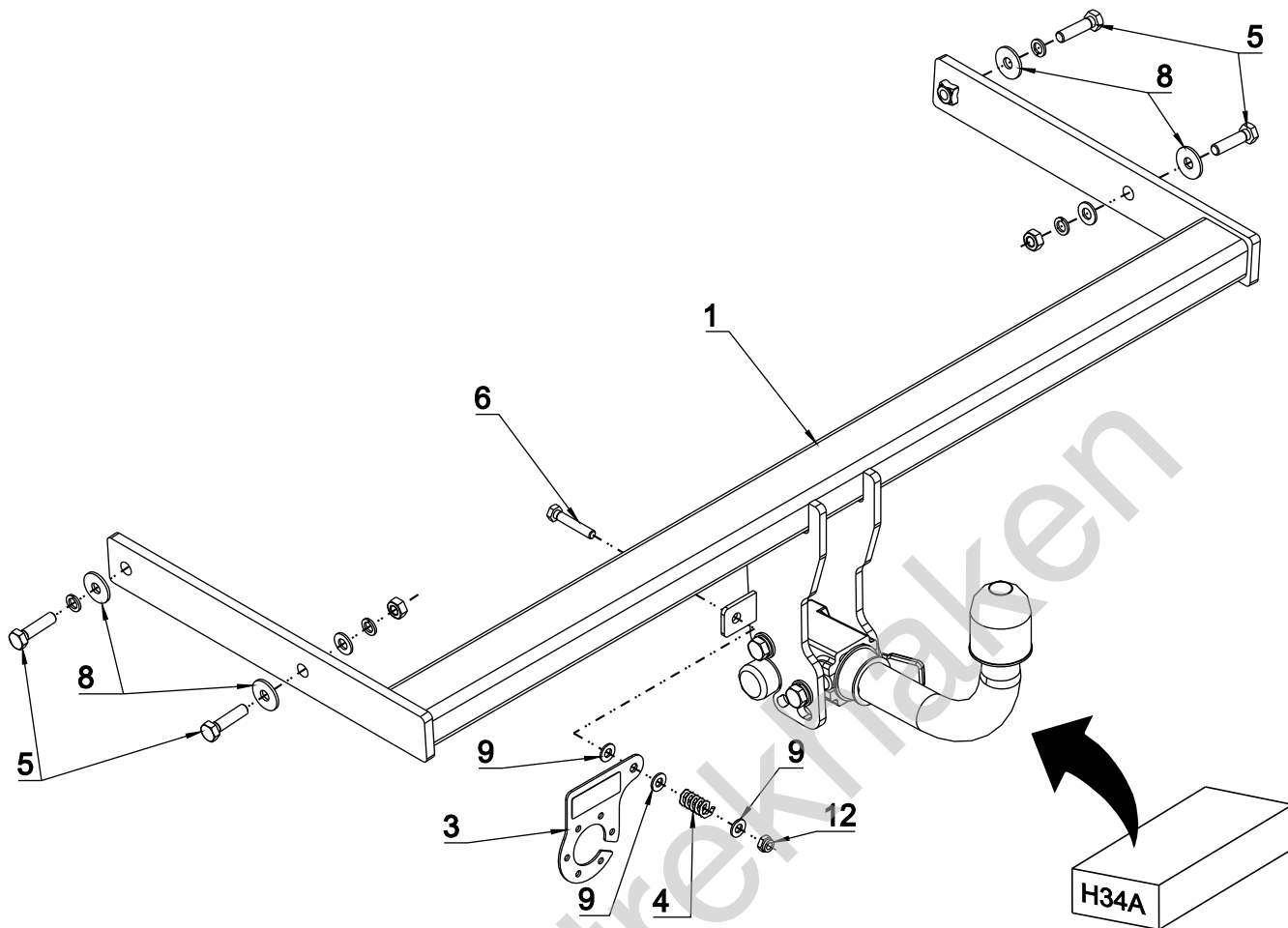
śruba	Nm	M6	M8	M10	M12	M14	M16
klasa 8.8		9,9	24	48	83	132	200
klasa 10.9		14	34	67	117	185	285

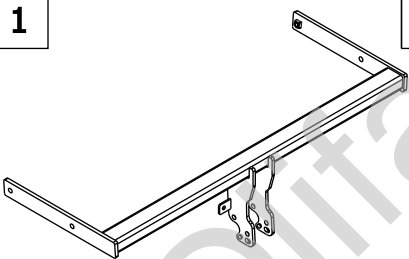
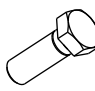



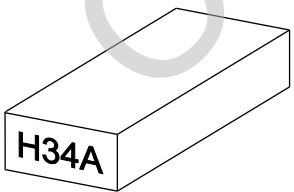
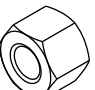

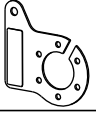


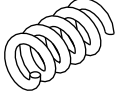


0 km →

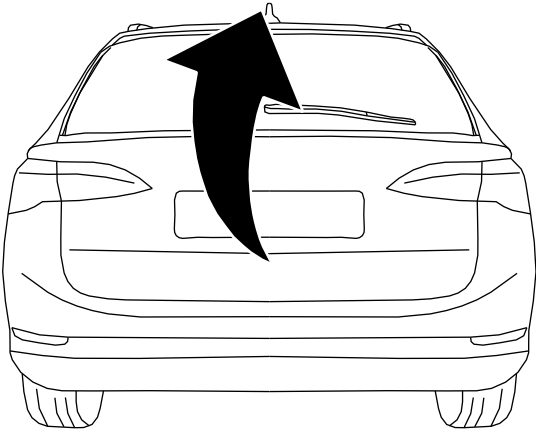


1000 km

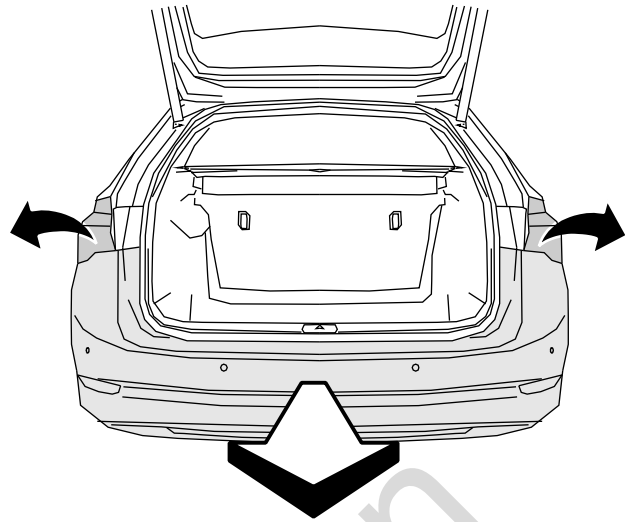


	x1		5	M10x40	x4
			6	M8x45	x1
			7	∅ 10.5	x2
			8	∅ 30x∅10.5x2.5 10 (DIN 9021)	x4
	x1		9	∅ 8.4	x3
			10	∅ 10.2	x4
	x1		11	M10	x2
			12	M8 (DIN985)	x1
	x1				
Art.nr-KL1H34A					

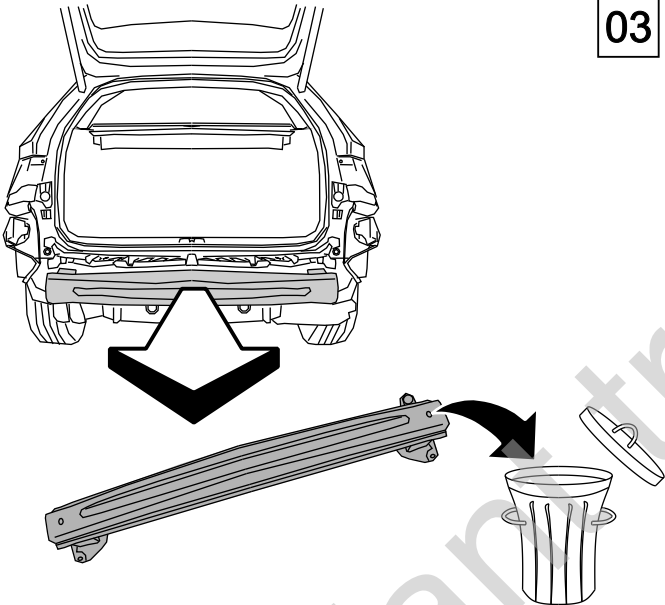
01



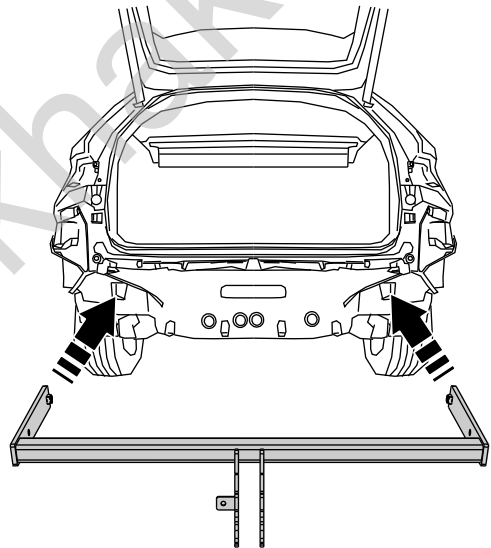
02



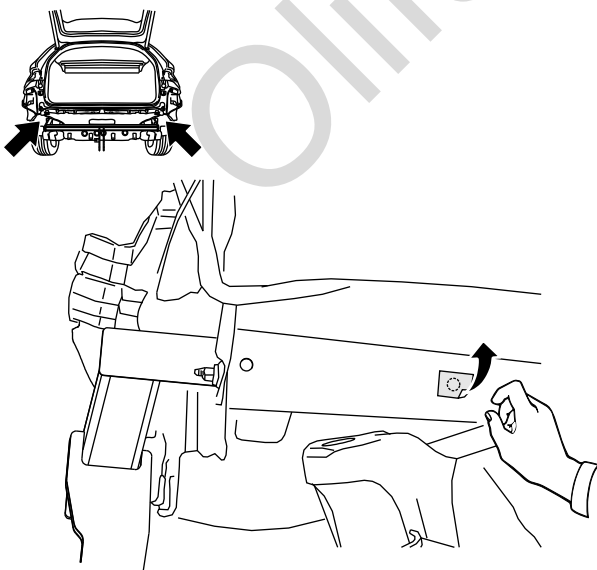
03



04



05



06

