

AUTO-HAK Sp. z o.o.

ul. Słoneczna 16K 76-200 SŁUPSK
POLAND

tel/fax +48 59 8 414 414; +48 59 8 414 413

e-mail: office@autohak.com.pl

www.autohak.com.pl



AUTO-HAK

SKODA KAMIQ

Cat. no:

H33A



08.2019 →



E20-55R-01 5871

D

7,51 kN



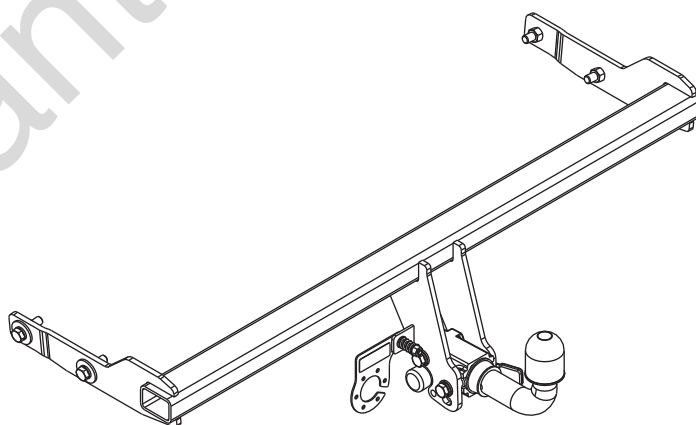
R=1250 kg



S=75 kg



2h



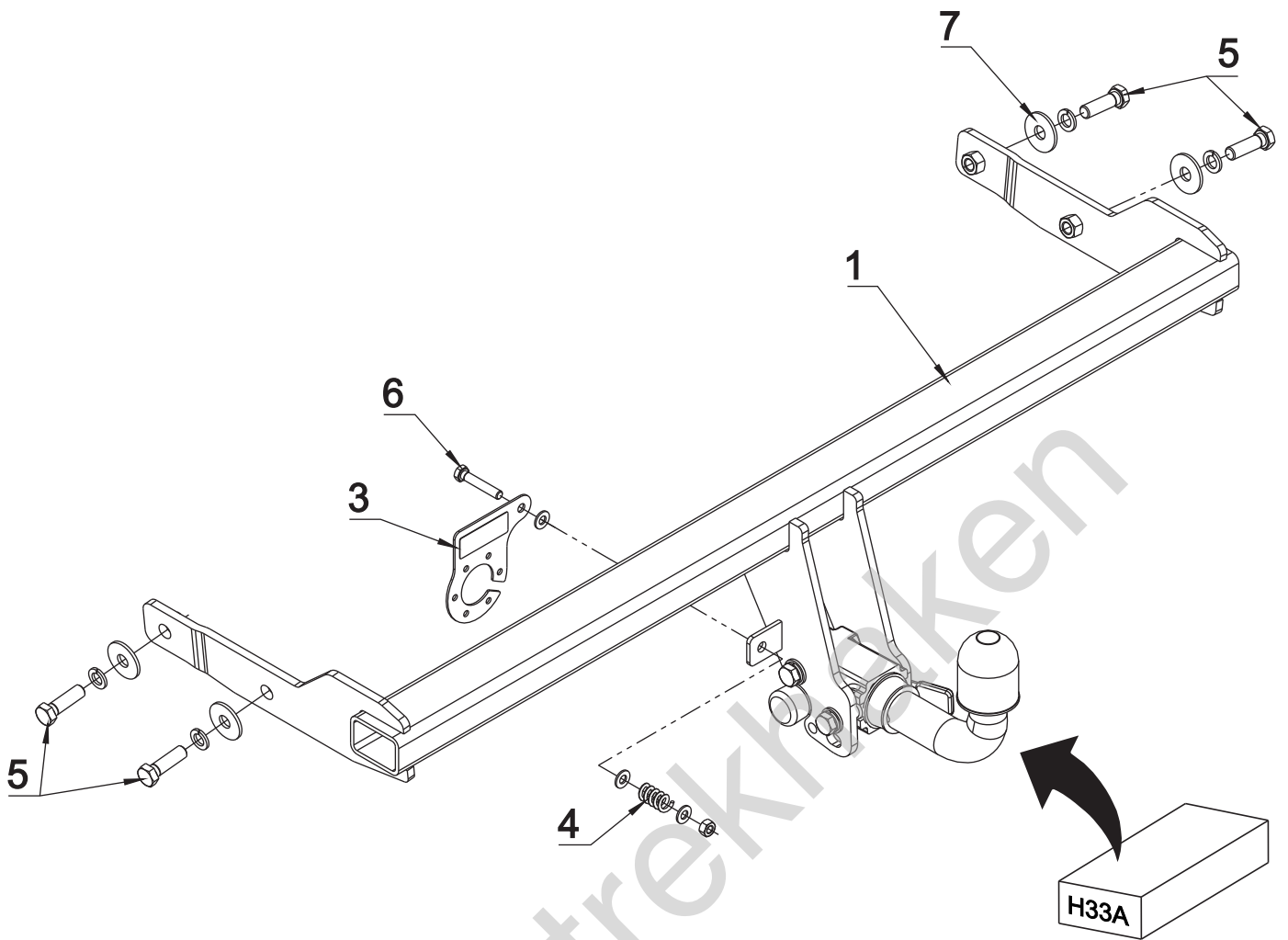
śruba	Nm	M6	M8	M10	M12	M14	M16
klasa 8.8		9,9	24	48	83	132	200
klasa 10.9		14	34	67	117	185	285

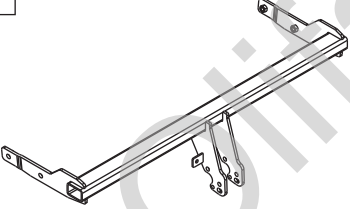




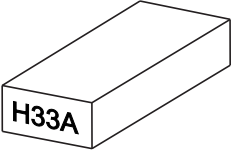

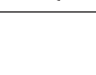




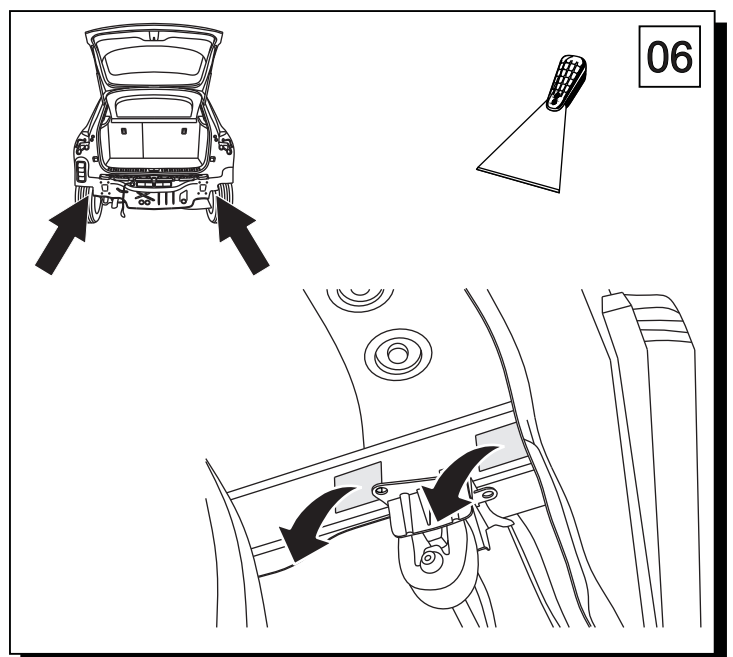
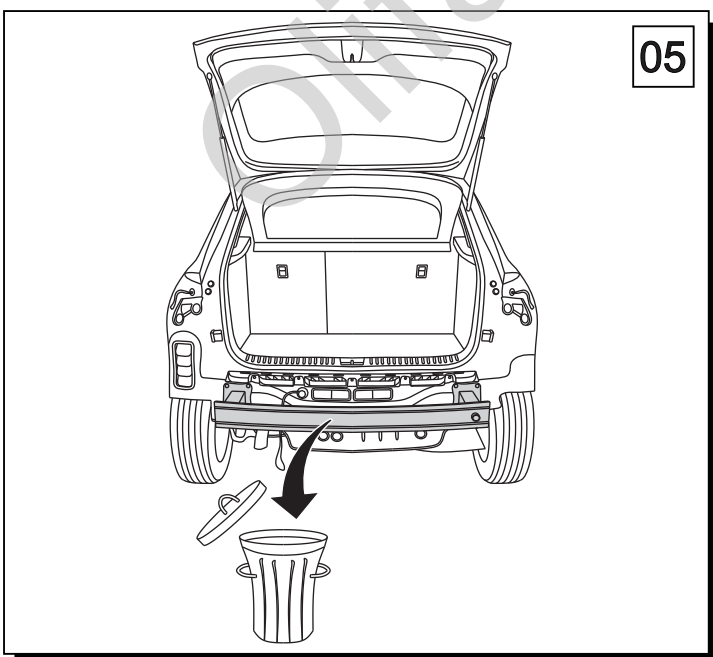
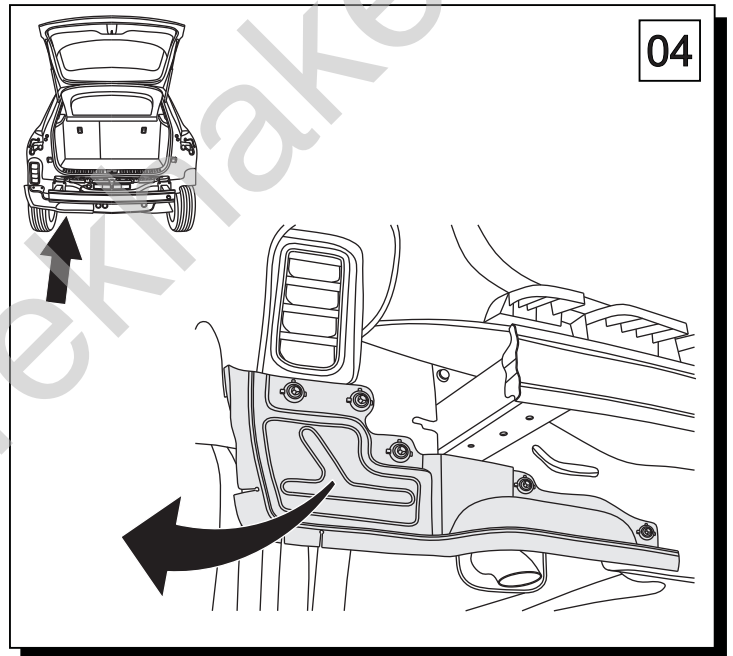
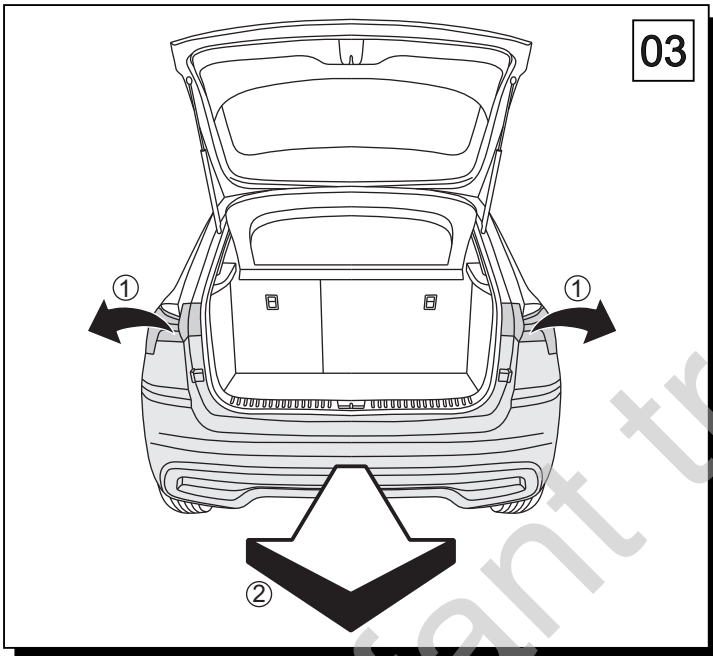
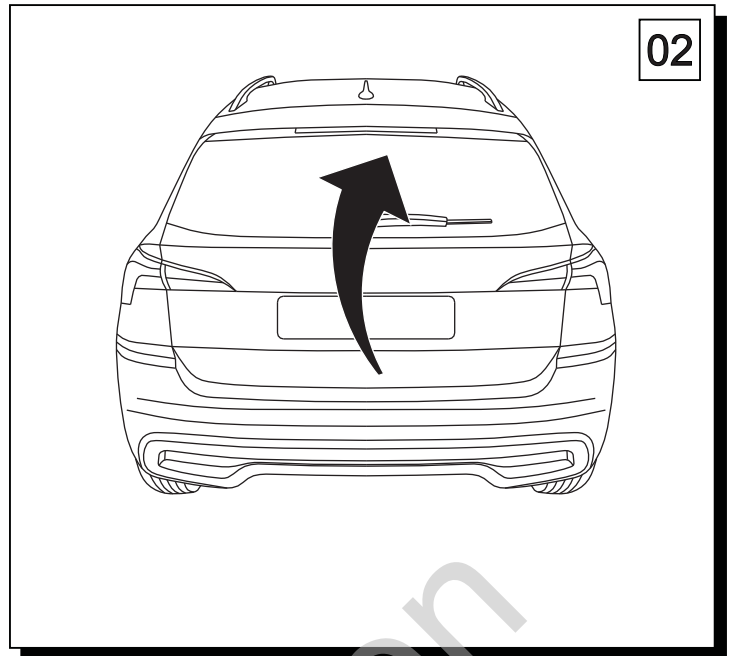
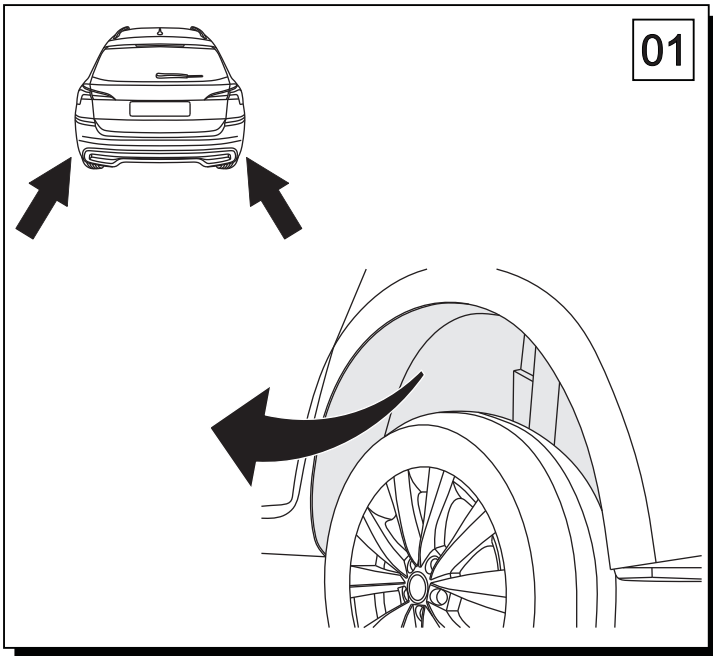
0 km →

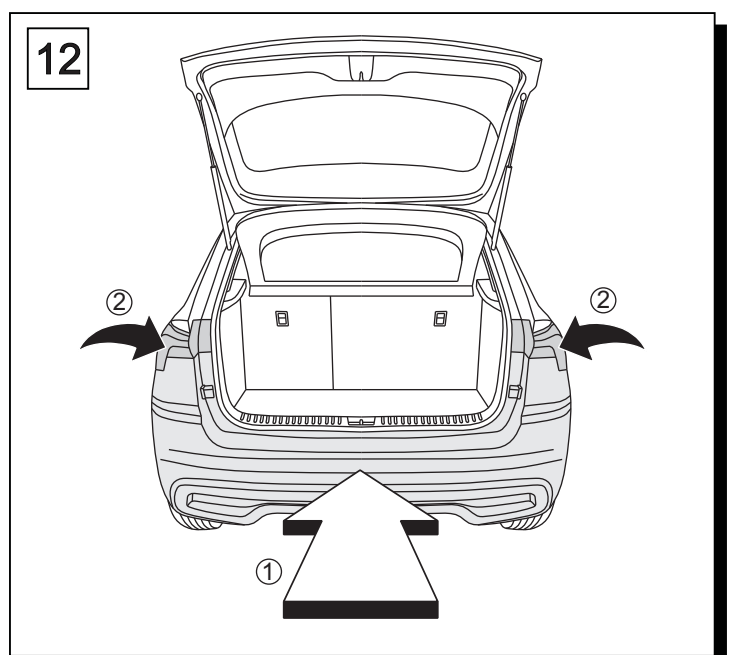
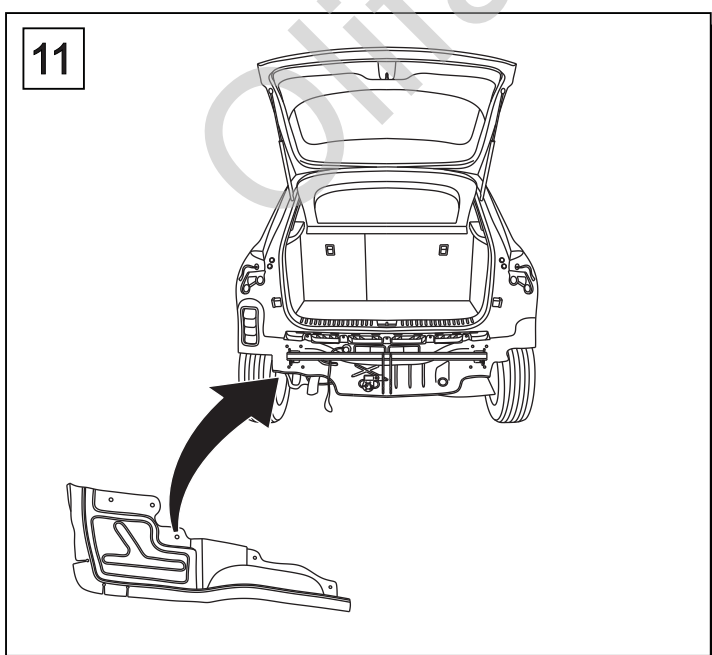
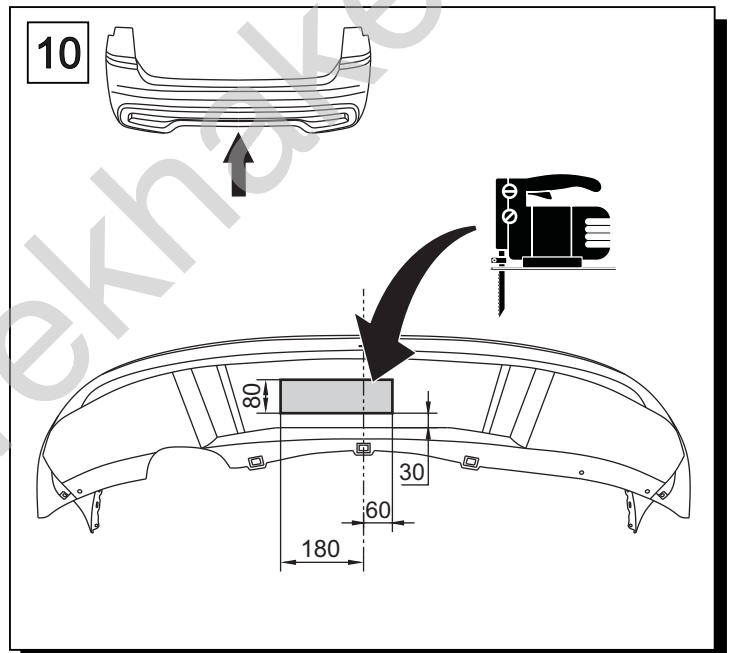
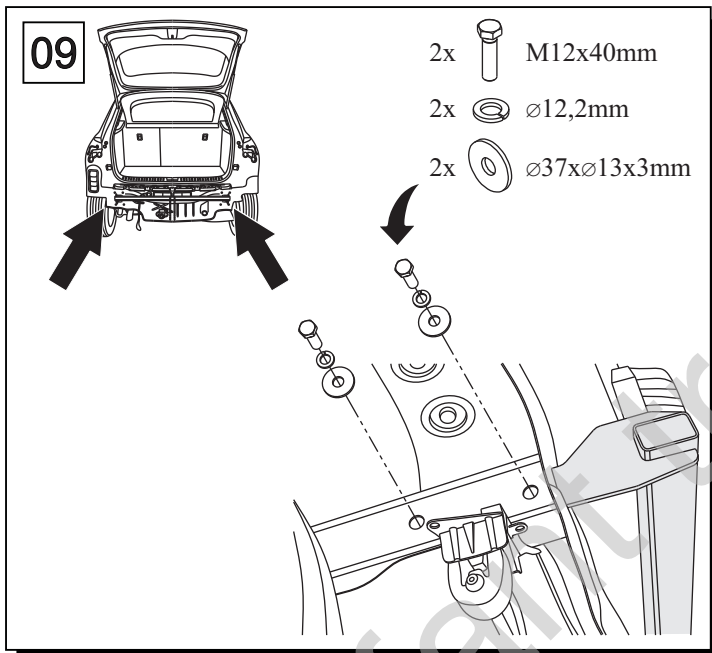
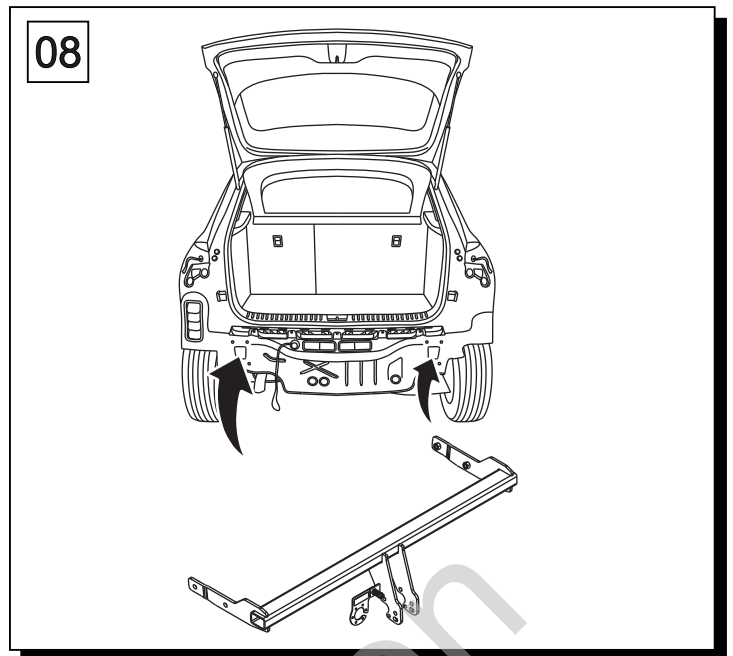
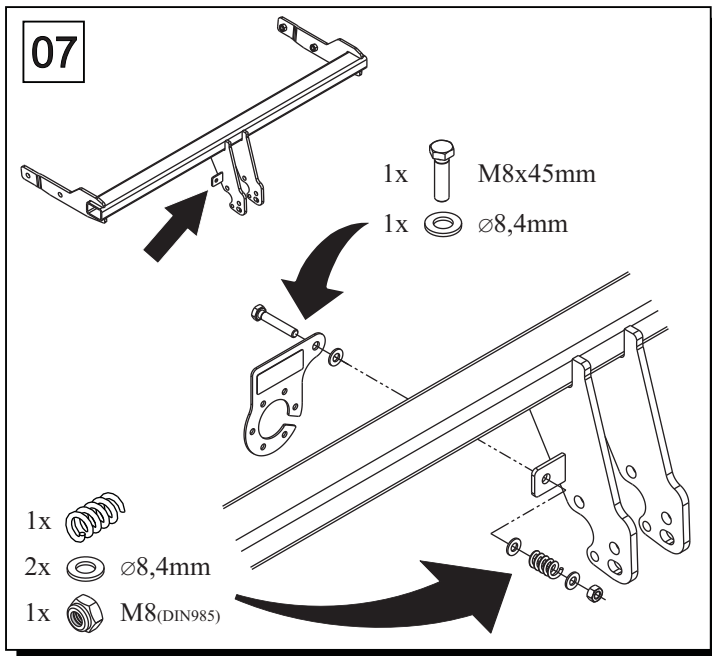


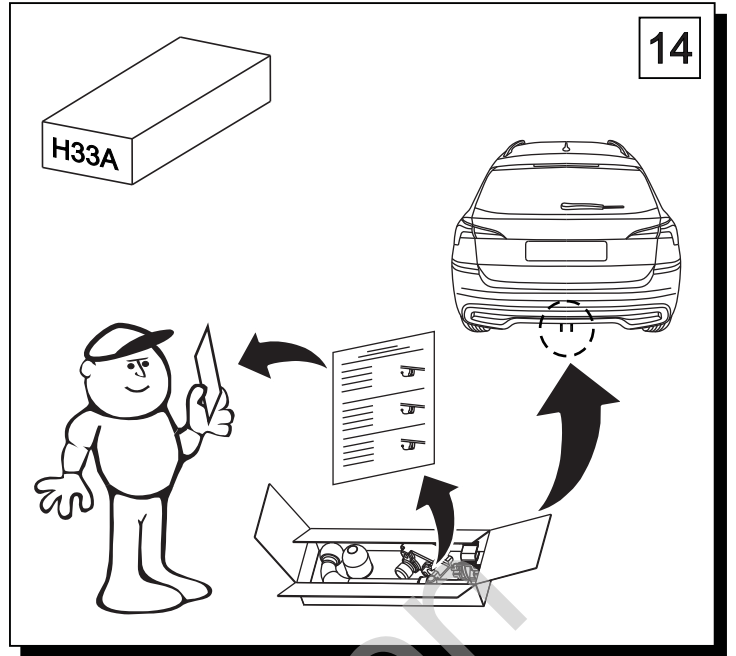
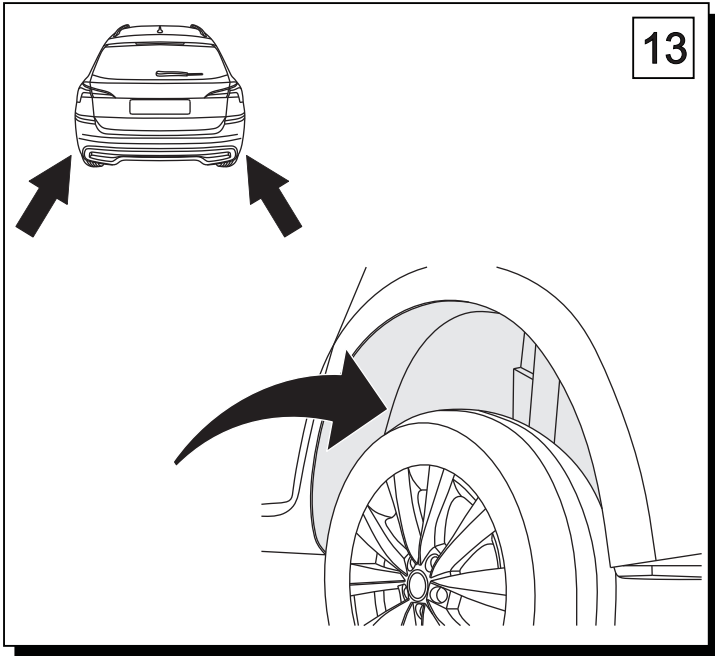
1000 km



1 	x 1		5 M 12x40	x 4
			6 M 8x45	x 1
			7 \varnothing 37x \varnothing 13x3 13 DIN 9021	4
			8 \varnothing 8.3	x 3
2 	x 1		9 \varnothing 12.2	x 4
			10 M 8 (DIN985)	x 1
Art.nr-KL1H33A				
3 	x 1	Art.nr-BL12H33A		
4 	x 1			







Olifant trekhaker