

PPUH AUTO-HAK Sp.J.

Henryk i Zbigniew Nejman
ul. Słoneczna 16K 76-200 SŁUPSK
POLAND

tel/fax +48 59 8 414 414; +48 59 8 414 413

e-mail: office@autohak.com.pl

www.autohak.com.pl



AUTO-HAK

SKODA FABIA III KOMBI Facelift

Cat. no:

H31A



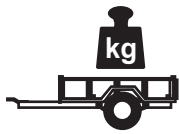
08.2018 →



E20-55R-01 5617



7,2 kN



R=1200 kg



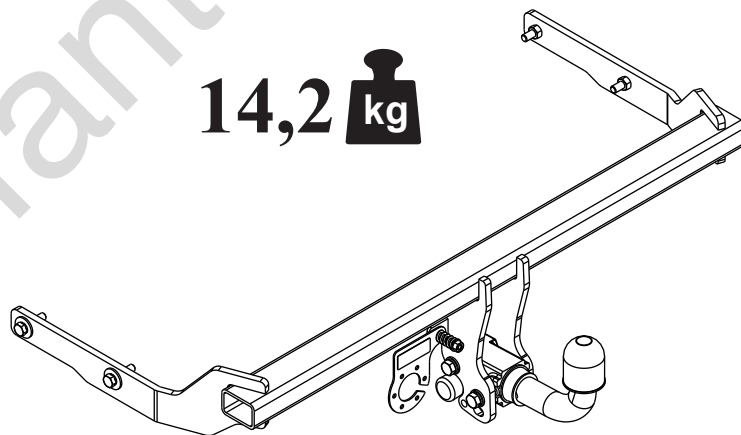
S=86 kg



2h



14,2 kg



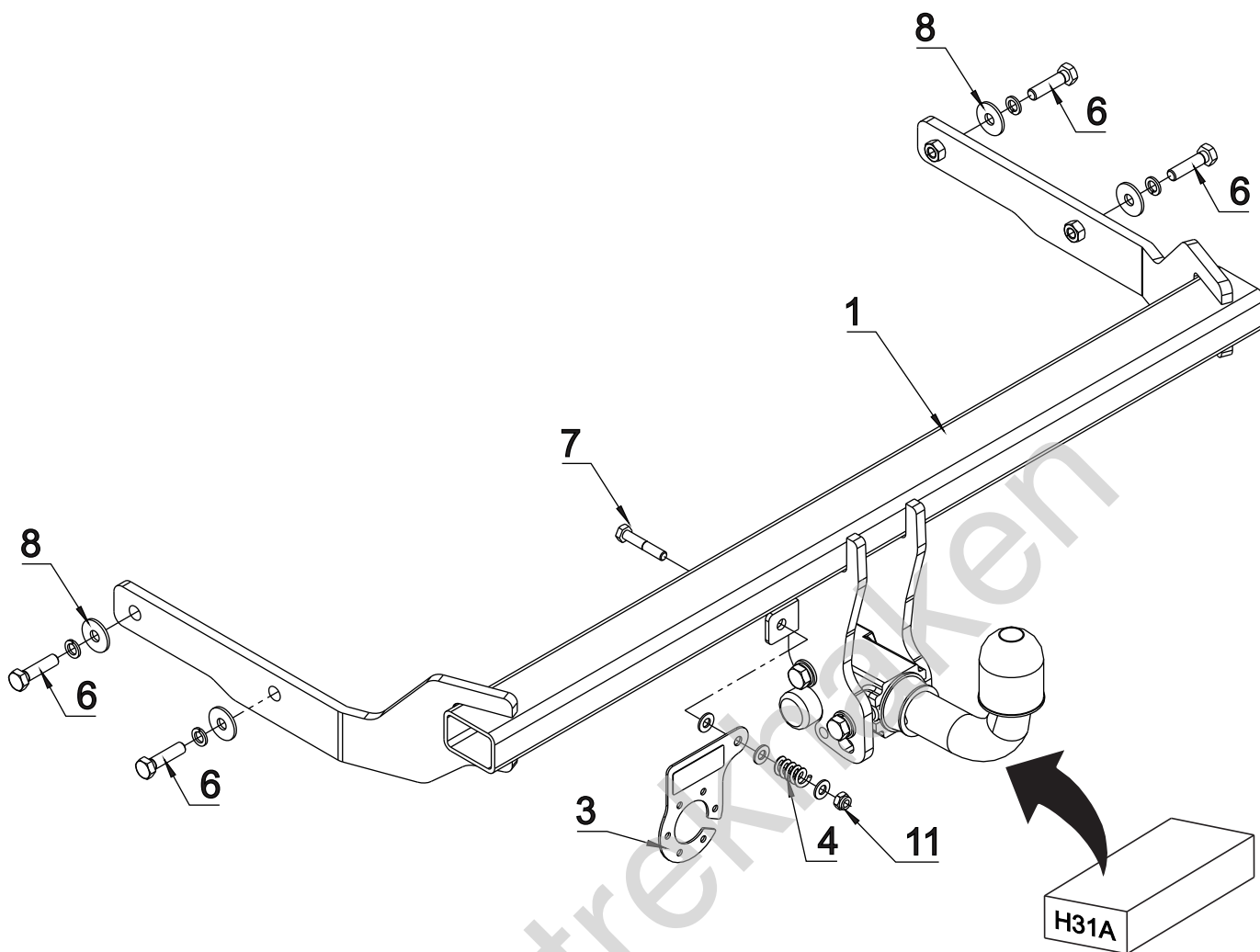
| śruba | Nm | M6 | M8 | M10 | M12 | M14 | M16 |
|------------|----|-----|----|-----|-----|-----|-----|
| klasa 8.8 | | 9,9 | 24 | 48 | 83 | 132 | 200 |
| klasa 10.9 | | 14 | 34 | 67 | 117 | 185 | 285 |



0 km →

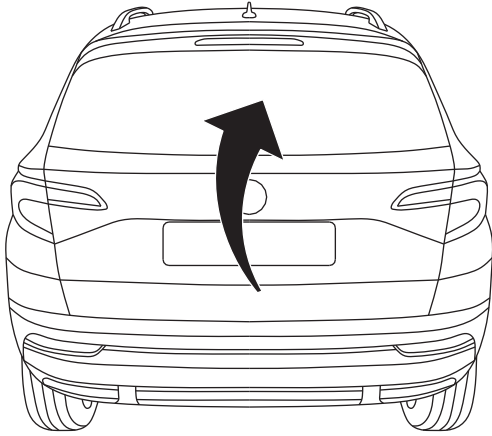


1000 km

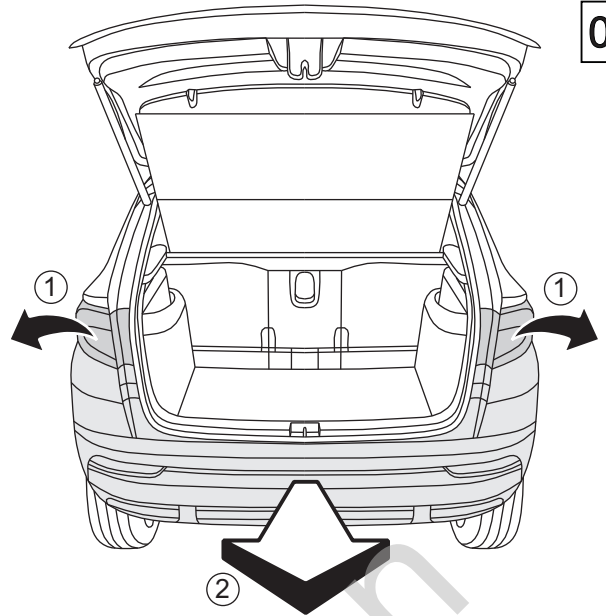


| | | | | | |
|--|----------|----------------|--|--|-----------------------|
| | 1 | x1 | | 6 M10x40 | x4 |
| | | | | 7 M8x45 | x1 |
| | | | | 8 \varnothing 30x \varnothing 10.5x2.5 10 DIN 9021 | x4 |
| | | | | 9 \varnothing 8.4 | x3 |
| | 2 | x1 | | 10 \varnothing 10.2 | x4 |
| | | Art.nr-KL1H31A | | | 11 M8 (DIN985) |
| | 3 | x1 | | | |
| | | Art.nr-BL1H31A | | | |
| | 4 | x1 | | | |
| | 5 | x1 | | | |

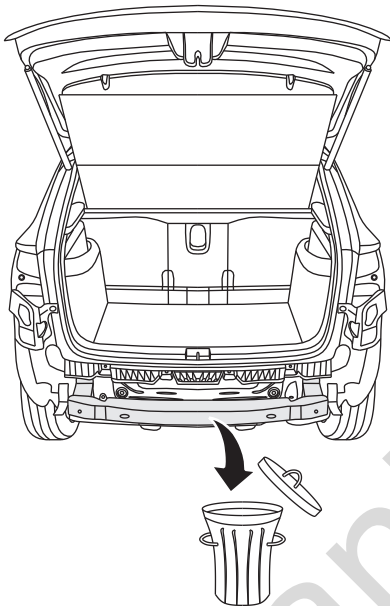
01



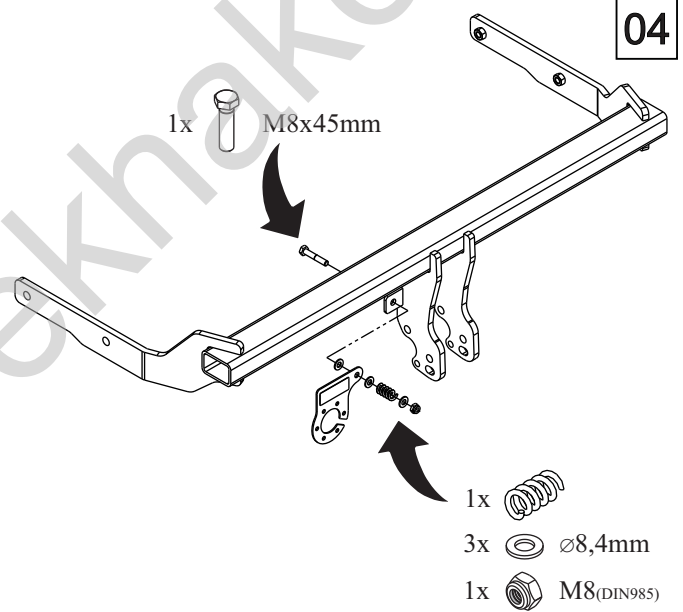
02



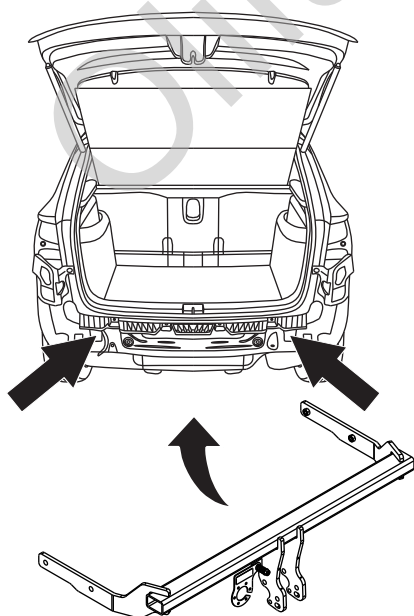
03



04



05



06

