

AUTO-HAK Sp. z o.o.

ul. Słoneczna 16K 76-200 SŁUPSK
POLAND

tel/fax +48 59 8 414 414; +48 59 8 414 413

e-mail: office@autohak.com.pl

www.autohak.com.pl



AUTO-HAK

SKODA FABIA III 5d Facelift ~~Monte Carlo~~

Nr kat.

H30A



08.2018 → 05.2021



E20-55R-01 5614

D

7,2 kN



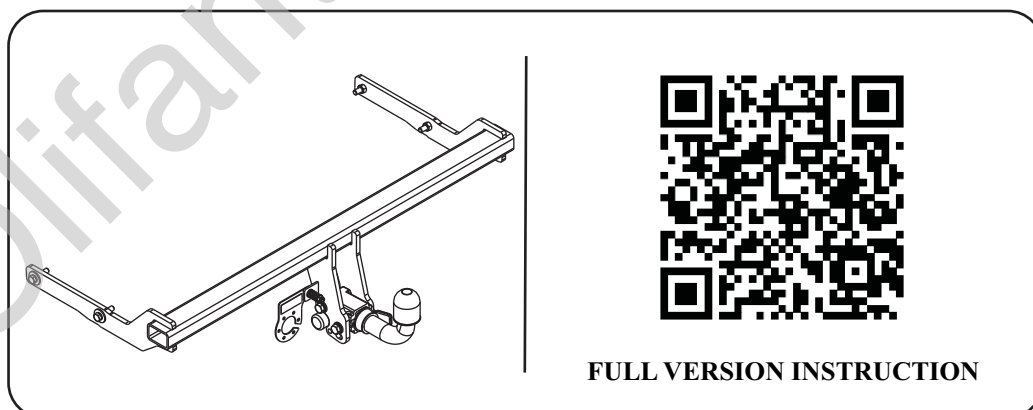
R=1200 kg



S=86 kg



1h



FULL VERSION INSTRUCTION



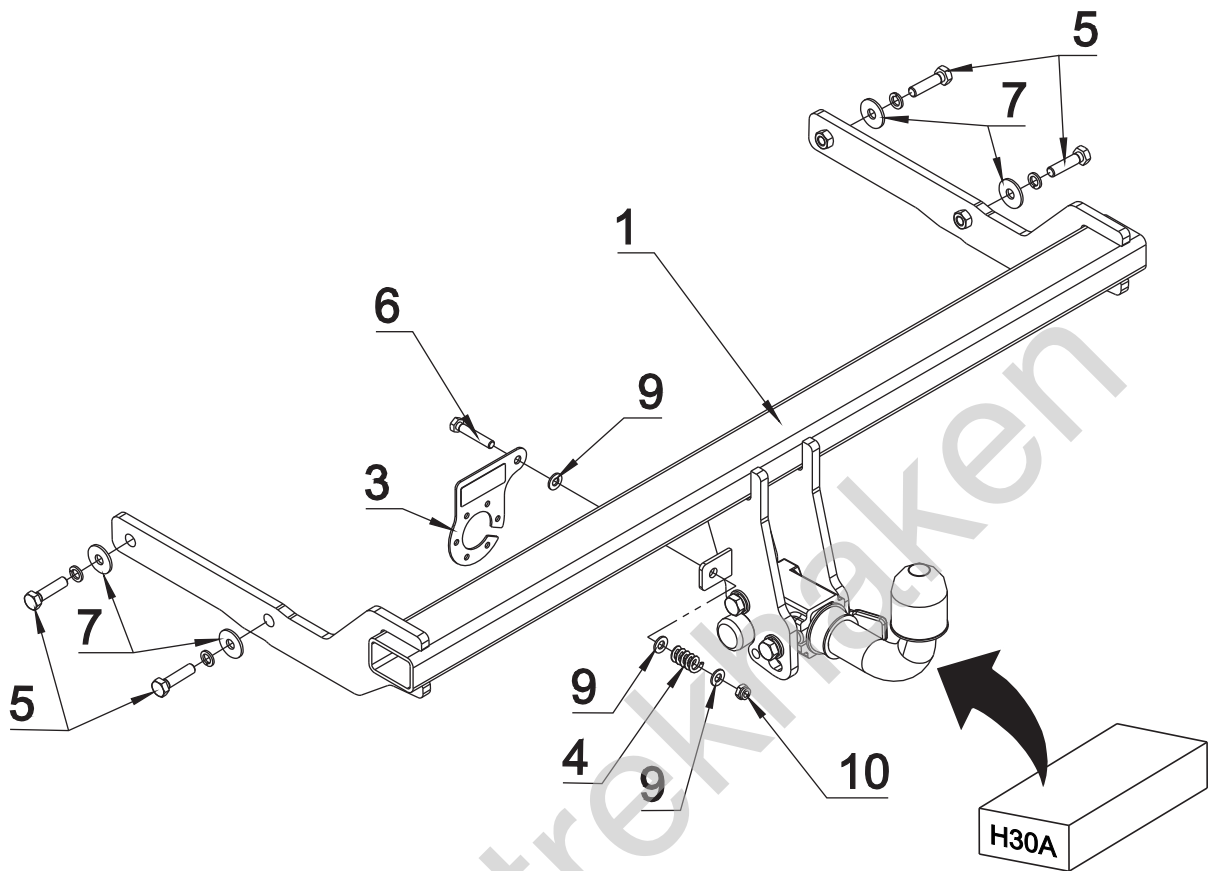
śruba	Nm	M6	M8	M10	M12	M14	M16
klasa 8.8		9,9	24	48	83	132	200
klasa 10.9		14	34	67	117	185	285

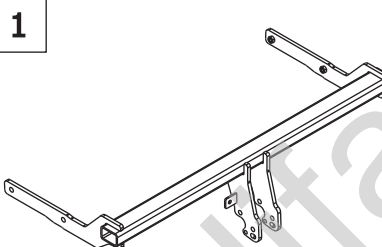

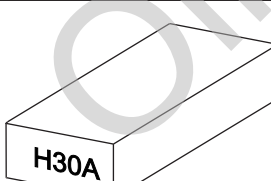
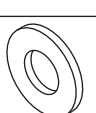
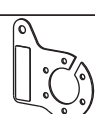

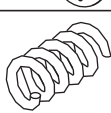


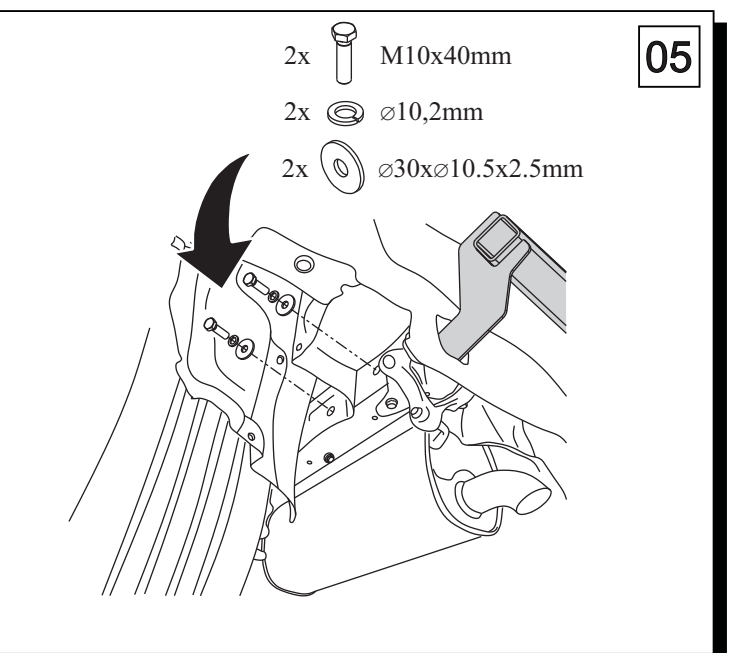
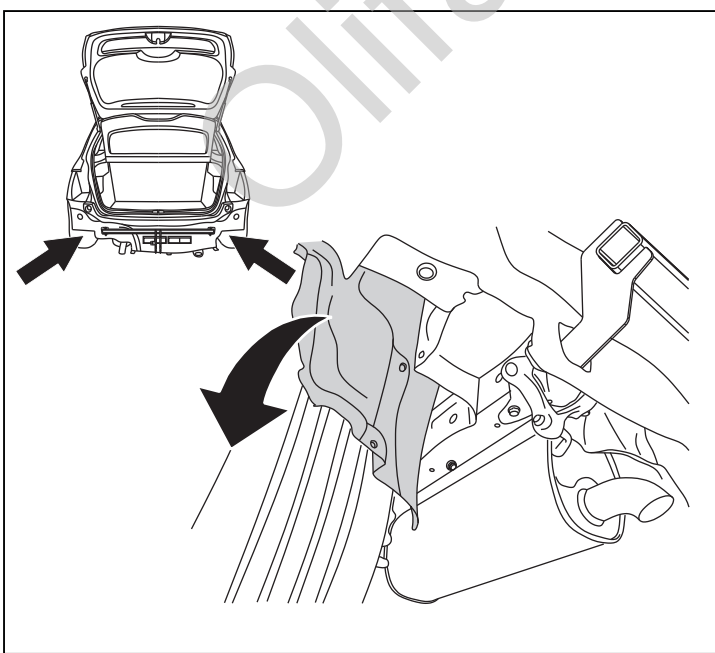
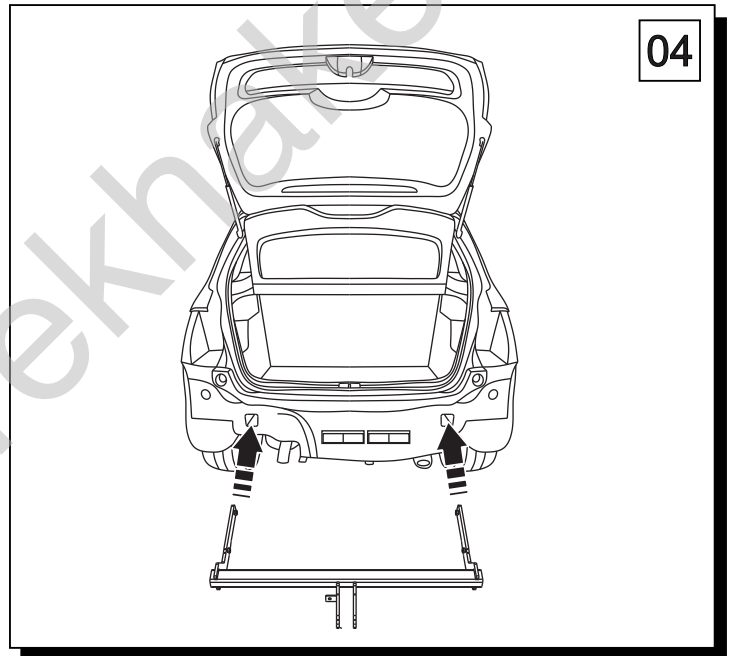
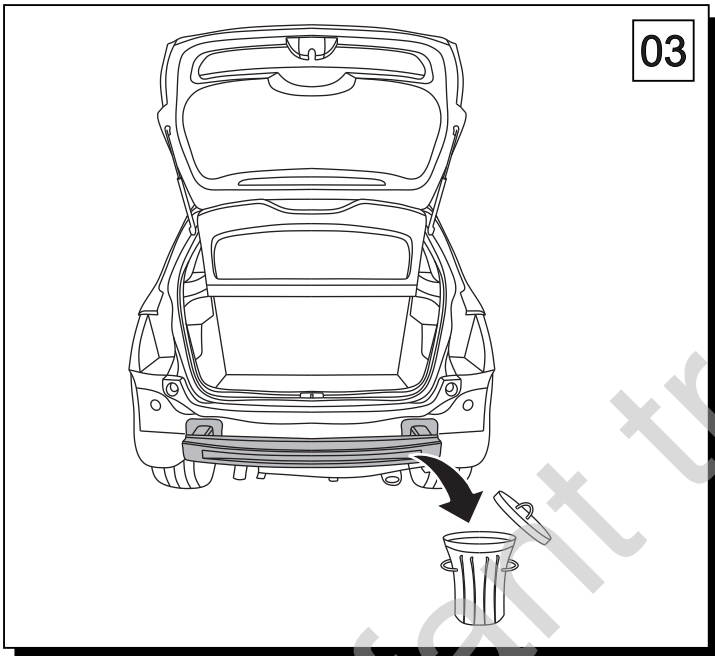
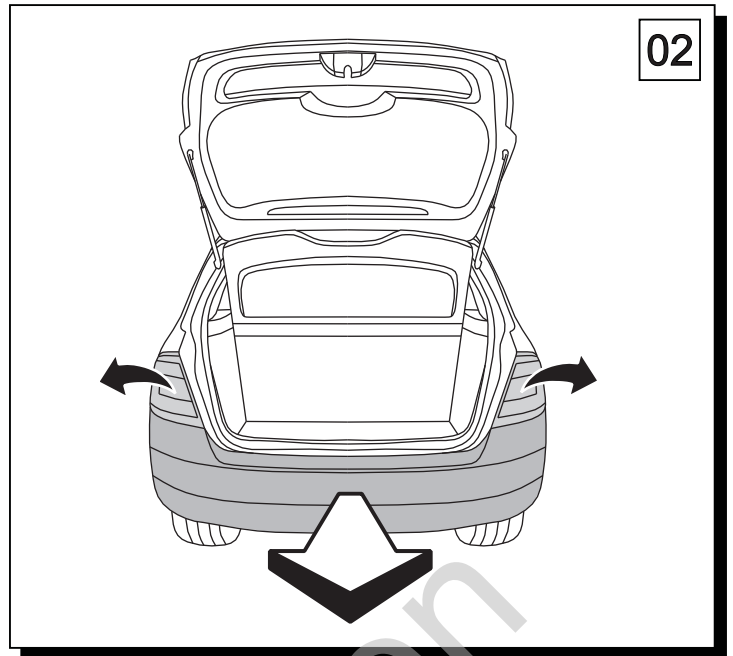
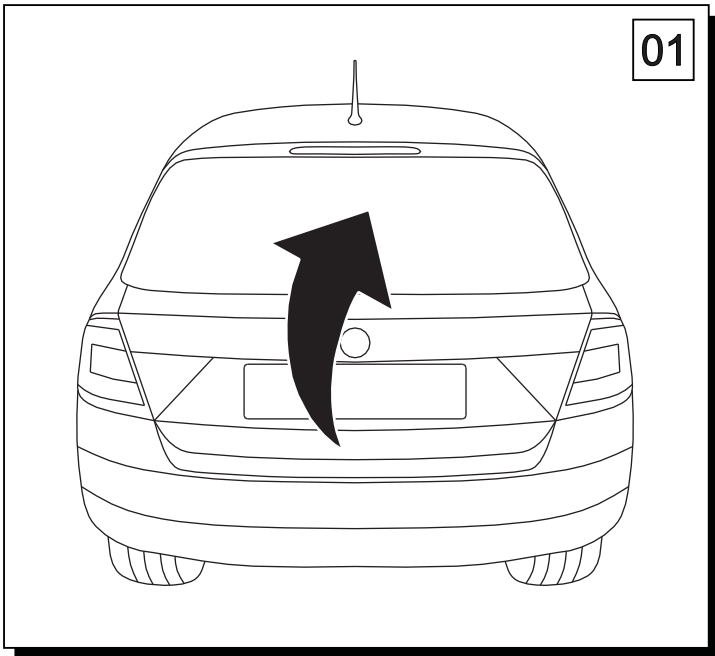
0 km

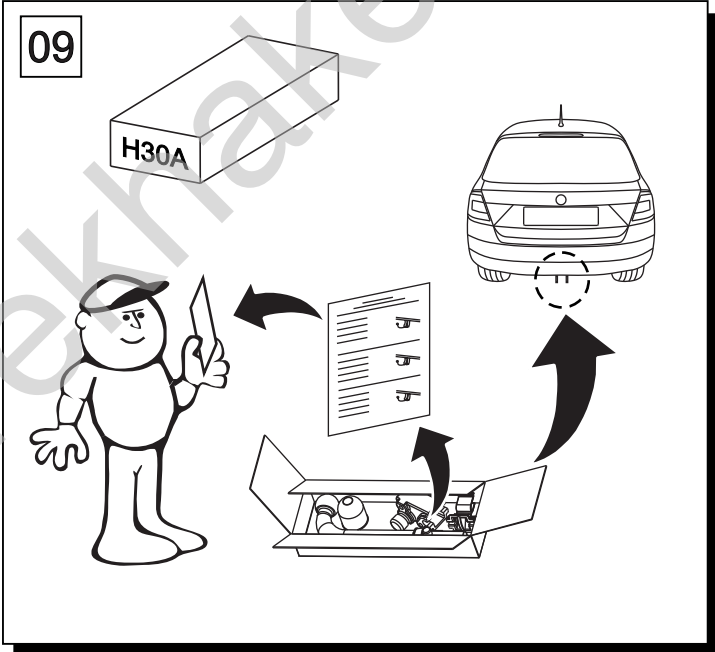
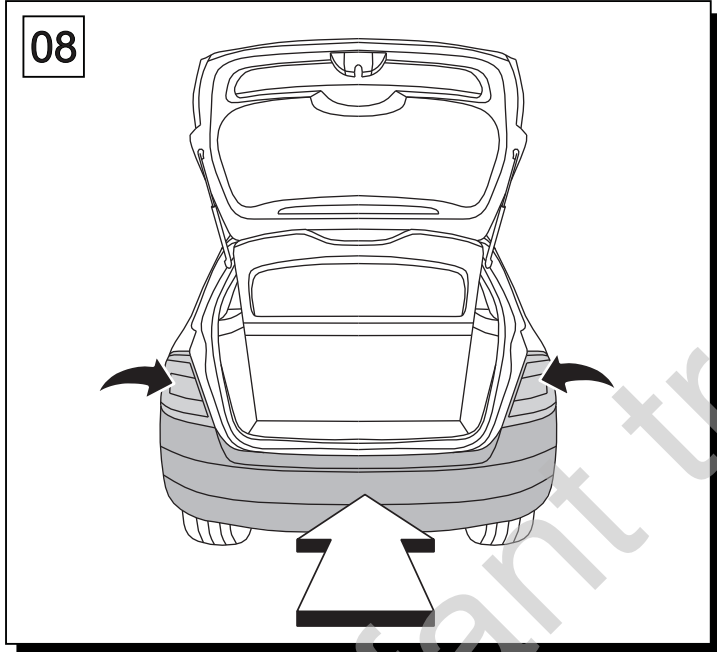
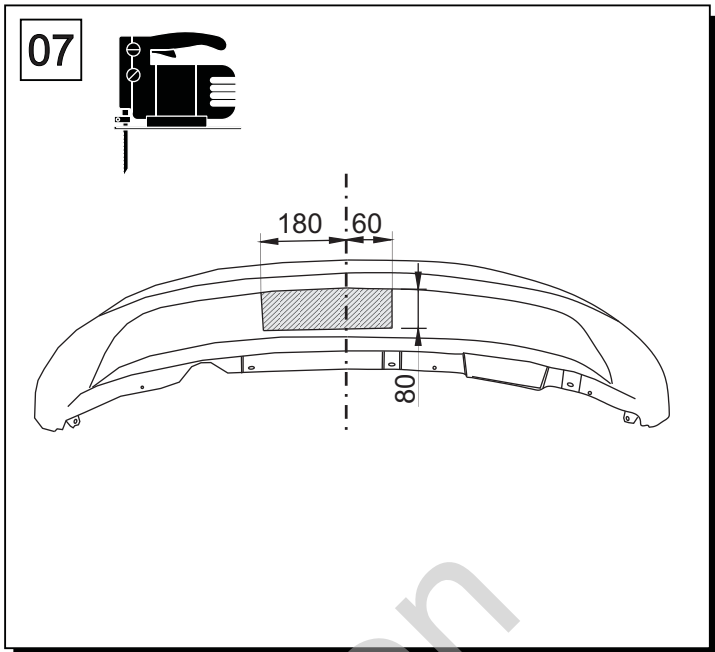
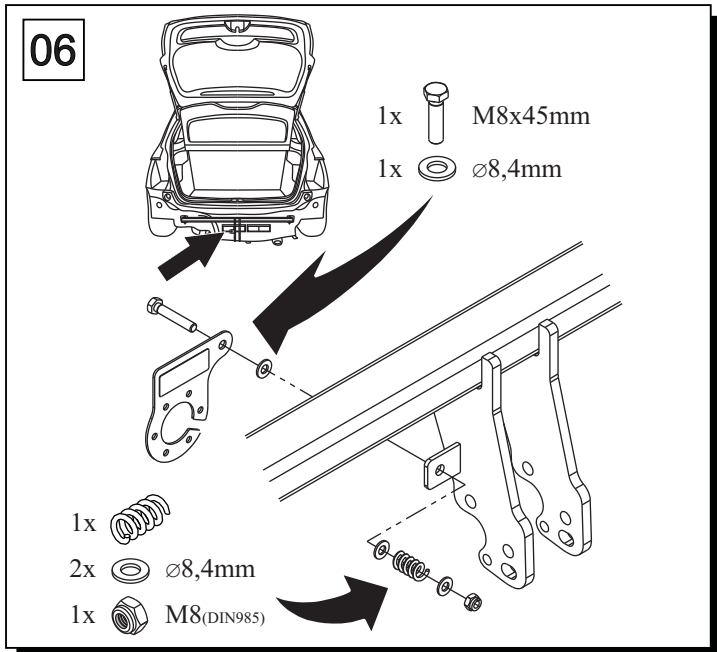


1000 km



1		x 1		5	M 10x40	x 4
				6	M 8x45	x 1
2		x 1		7	∅ 30x∅10.5x2.5 10 (DIN 9021)	x 4
				8	∅ 10.2	x 4
3		x 1		9	∅ 8.4	x 3
				10	M 8 (DIN985)	x 1
4		x 1				
	Art.nr-KL1H30A					
	Art.nr-BL12H30A					





M6	-	11 Nm	M8	-	25 Nm
M10	-	50 Nm	M12	-	87 Nm
M14	-	138 Nm	M16	-	210 Nm

0 km → 1000 km