

AUTO-HAK Sp. z o.o.

ul. Słoneczna 16K 76-200 SŁUPSK
POLAND

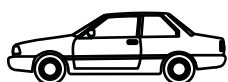
tel/fax +48 59 8 414 414; +48 59 8 414 413

e-mail: office@autohak.com.pl

www.autohak.com.pl



AUTO-HAK



SKODA SUPERB III
4D, Kombi, 4x4

Nr kat.

H27A



08.2014 → 2024

2024 →



E20-55R-01 4540



1,5h

D

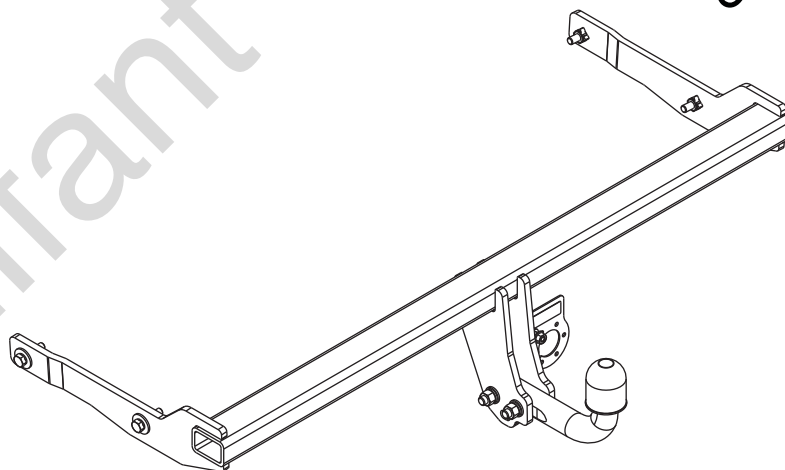
11,5 kN



R=2235 kg



S=100 kg



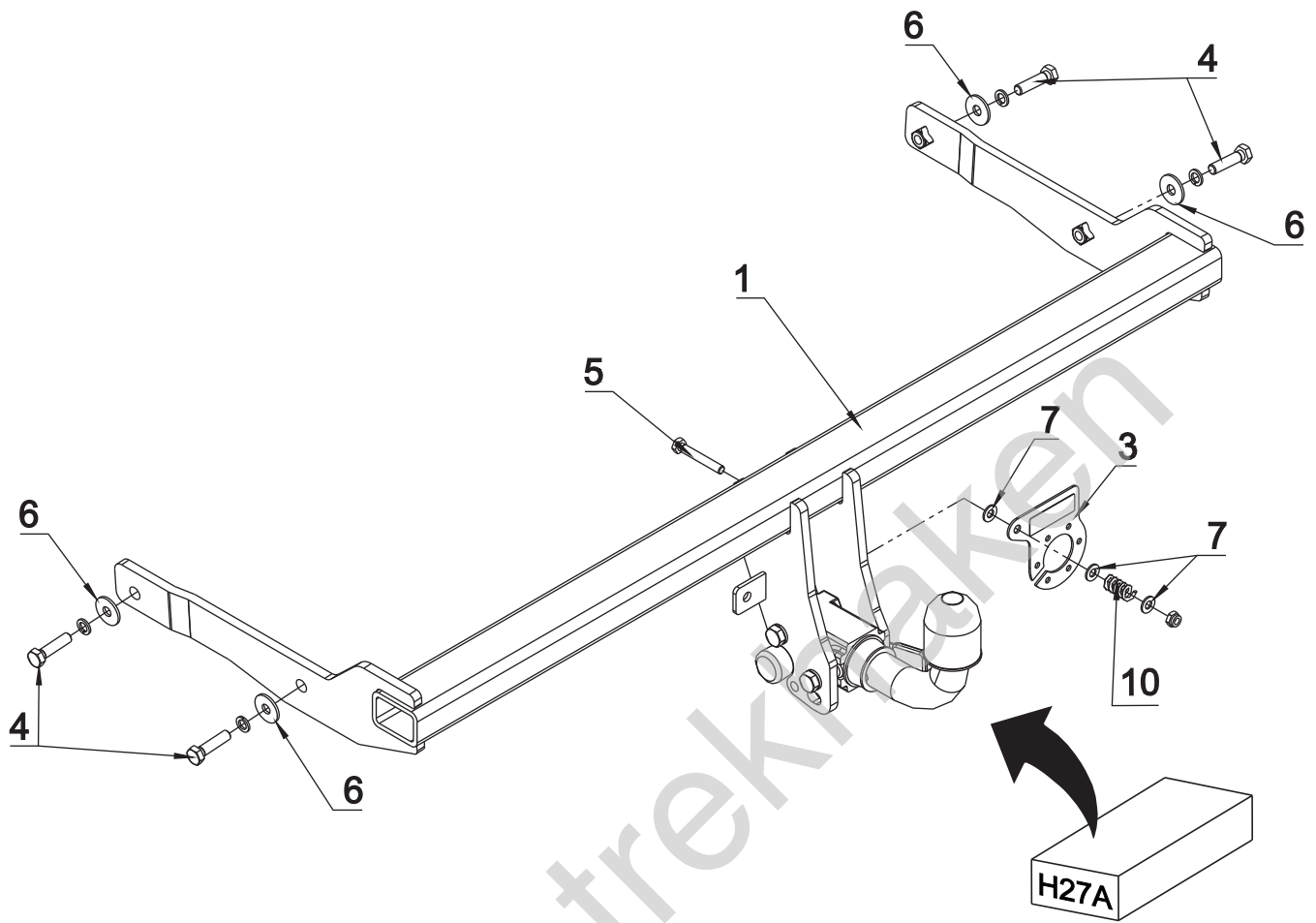
| śruba | Nm | M6 | M8 | M10 | M12 | M14 | M16 |
|------------|----|-----|----|-----|-----|-----|-----|
| klasa 8.8 | | 9,9 | 24 | 48 | 83 | 132 | 200 |
| klasa 10.9 | | 14 | 34 | 67 | 117 | 185 | 285 |

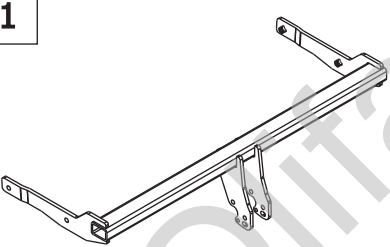




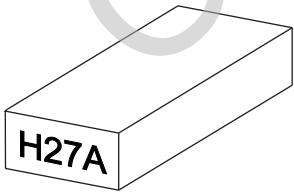


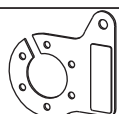



0 km →

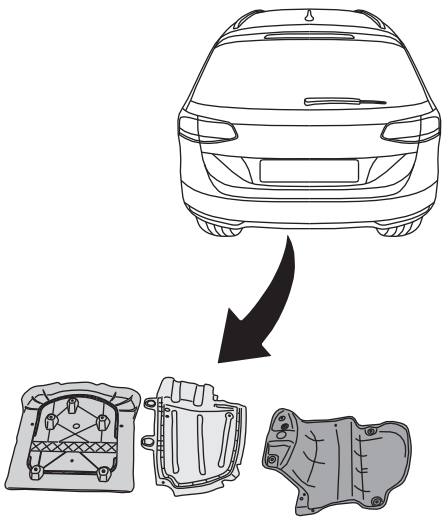


1000 km

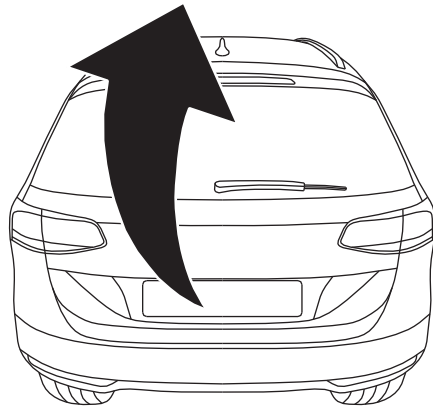


| | | | | |
|---|-----------|--|--|-----------|
|  | x1 |  | 4 M10x40 | x4 |
| | |  | 5 M8x50 | x1 |
| | |  | 6 \varnothing 30x \varnothing 10.5x2.5 10 (DIN 9021) | x4 |
| | |  | 7 \varnothing 8.4 | x3 |
|  | x1 |  | 8 \varnothing 10.2 | x4 |
| | |  | 9 M8 (DIN985) | x1 |
|  | x1 |  | 10 | x1 |
| Art.nr-KL1H27A | | | | |
| Art.nr-BL1H27A | | | | |

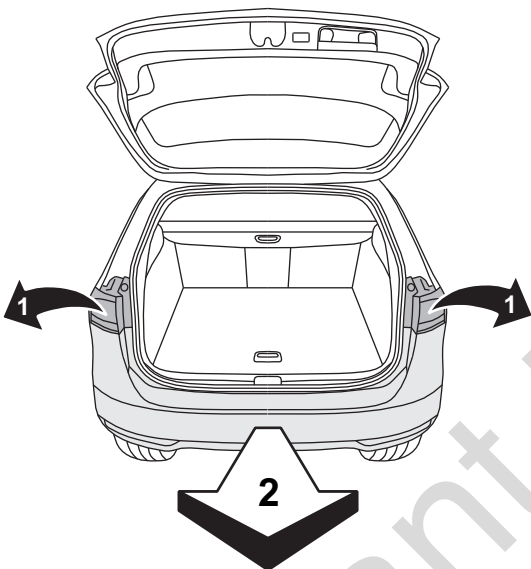
01



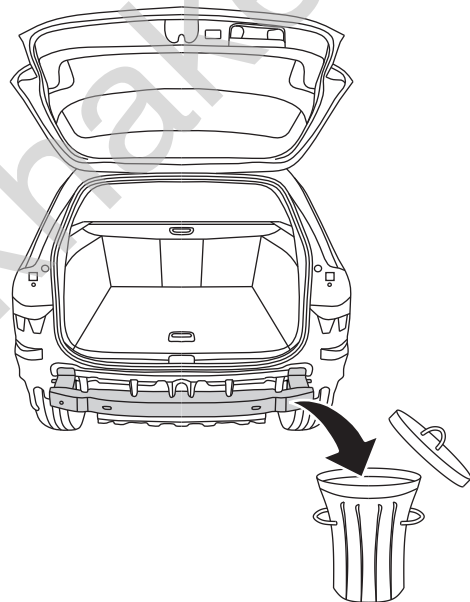
02



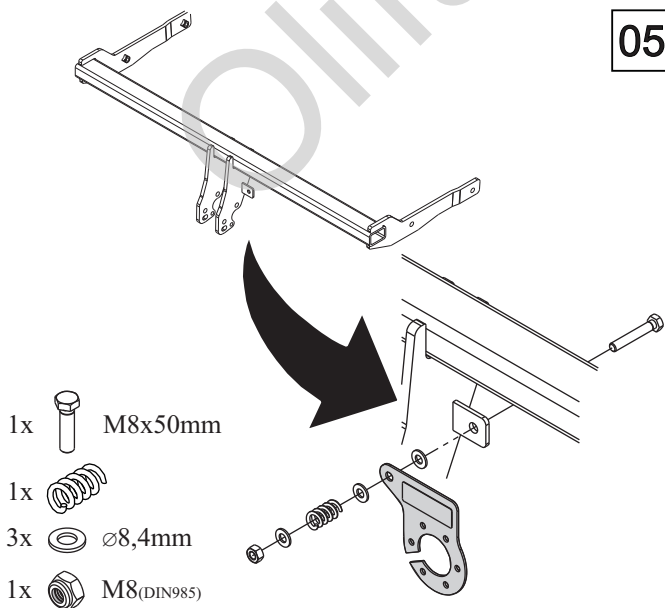
03



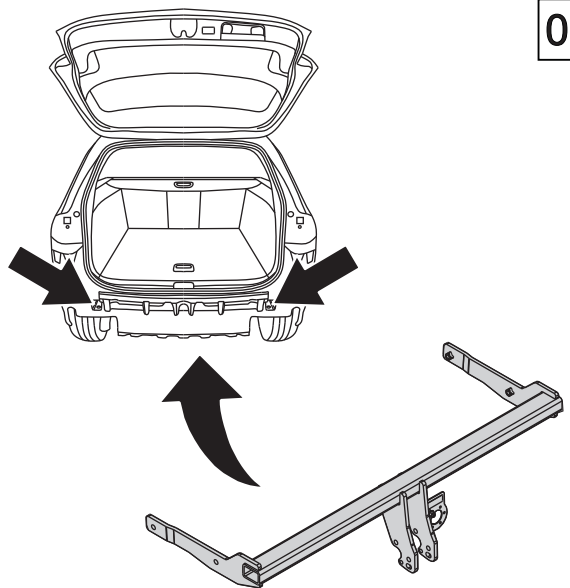
04



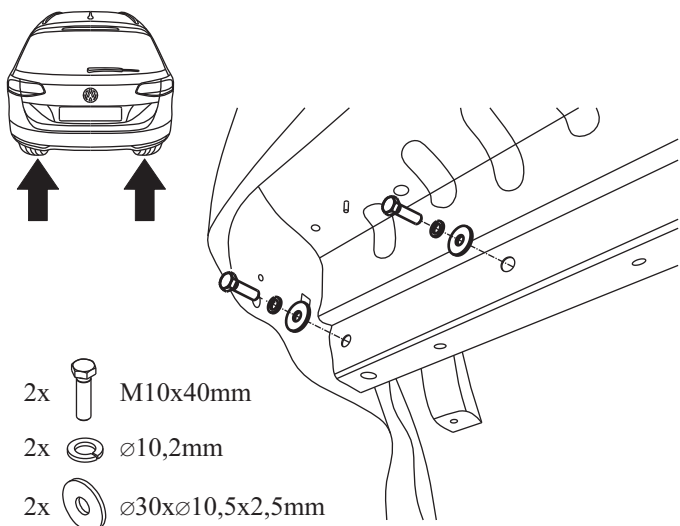
05






06

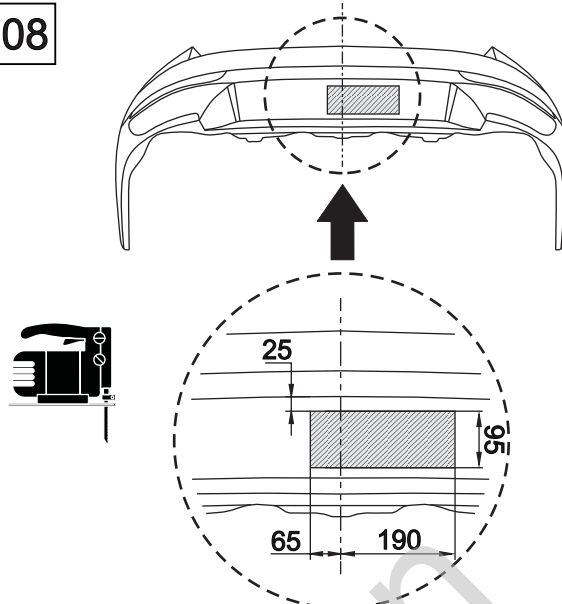


07

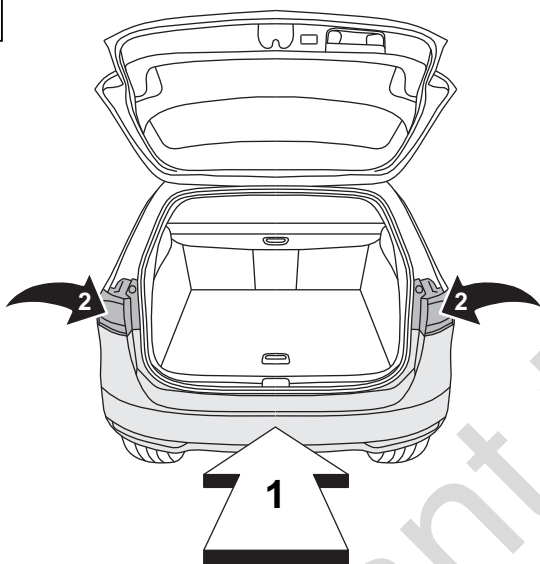


- 2x  M10x40mm
- 2x  $\varnothing 10,2\text{mm}$
- 2x  $\varnothing 30 \times 10,5 \times 2,5\text{mm}$

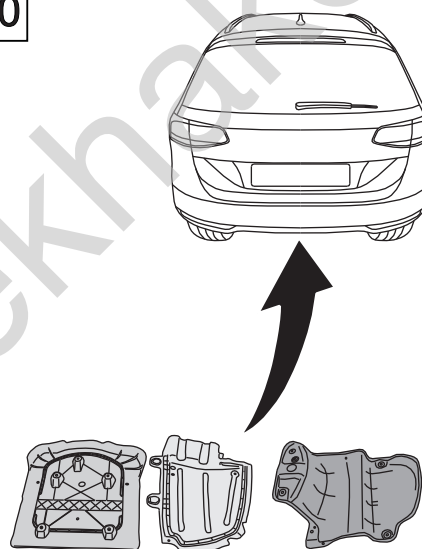
08



09



10



11

