

PPUH AUTO-HAK Sp.J.

Henryk i Zbigniew Nejman
ul. Słoneczna 16K 76-200 SŁUPSK
POLAND

tel/fax +48 59 8 414 414; +48 59 8 414 413

e-mail: office@autohak.com.pl

www.autohak.com.pl



AUTO-HAK



**SKODA FABIA III
KOMBI**

Cat. no:

H25A



01.2015 → 07.2018



E20-55R-01 4252



2h



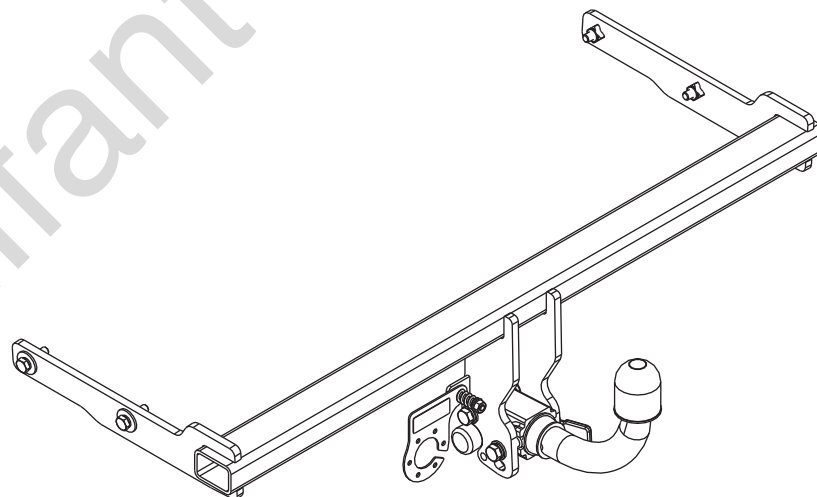
6,14 kN



R=1200 kg



S=75 kg



**M6 - 11 Nm
M10 - 50 Nm
M14 - 138 Nm**

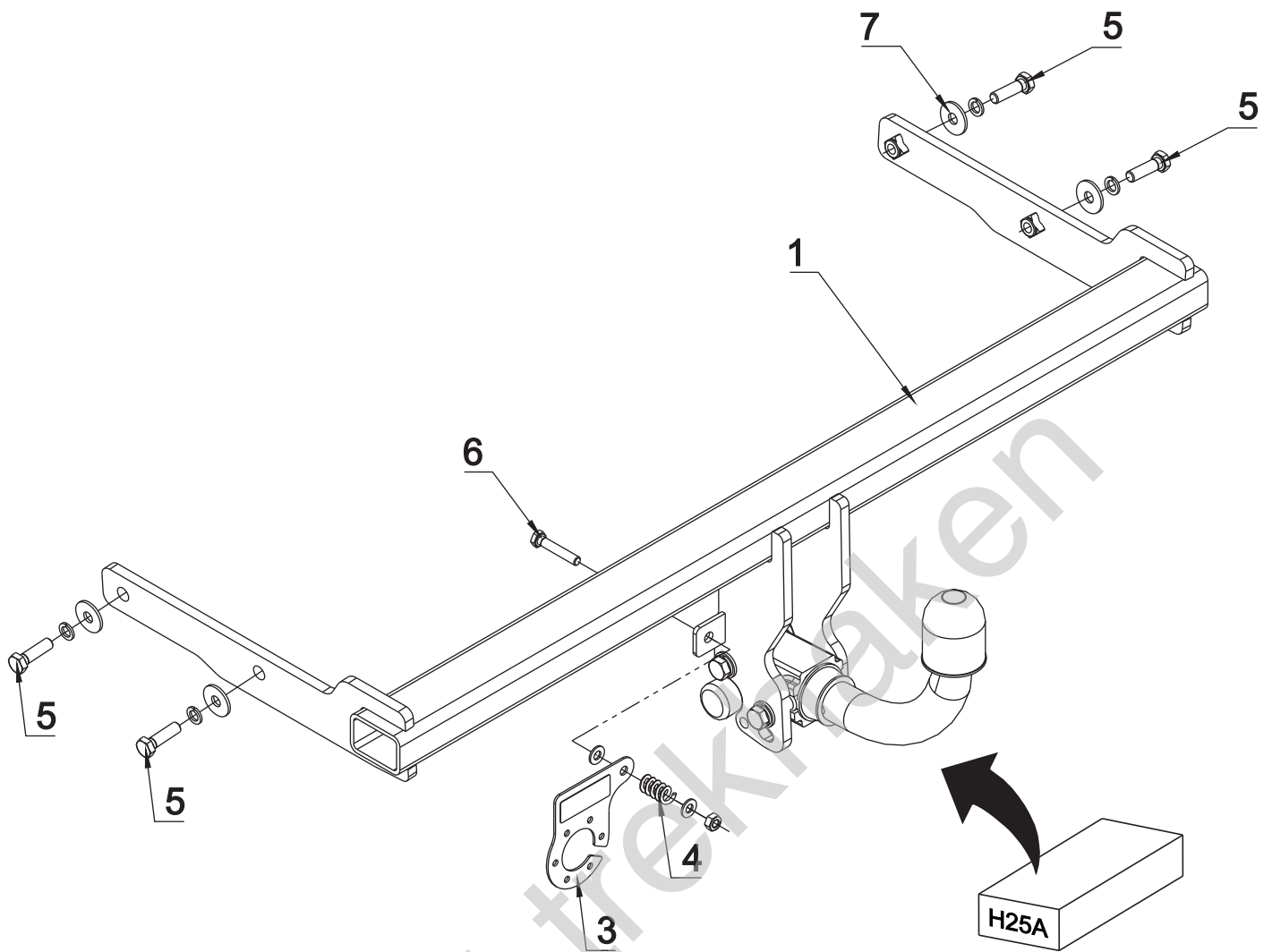
**M8 - 25 Nm
M12 - 87 Nm
M16 - 210 Nm**

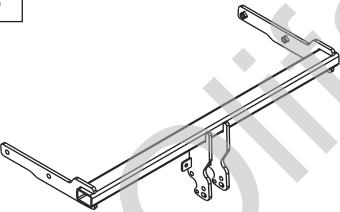

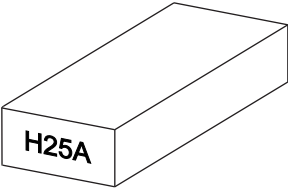

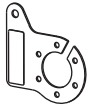
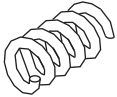


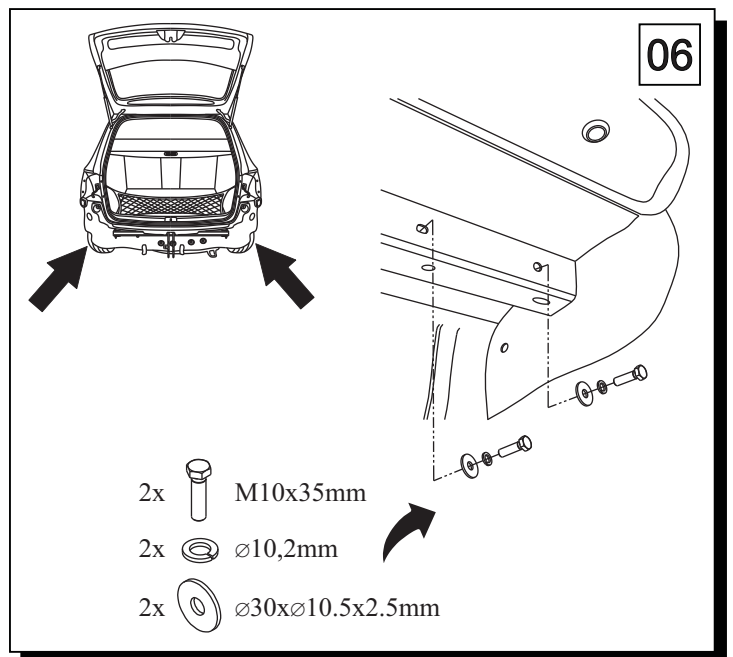
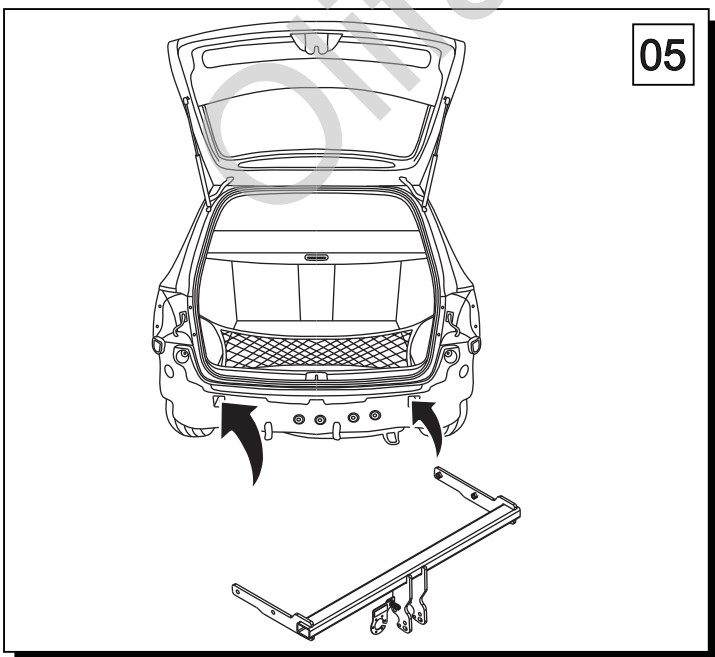
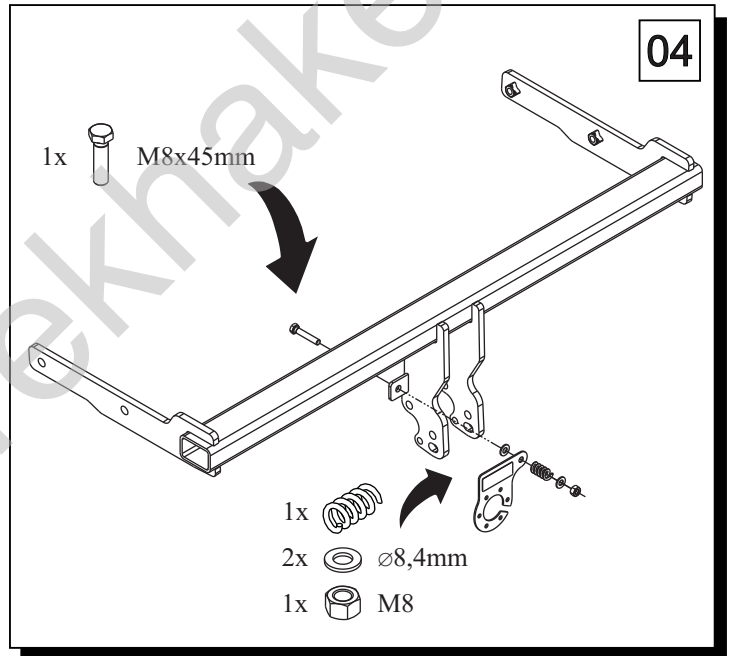
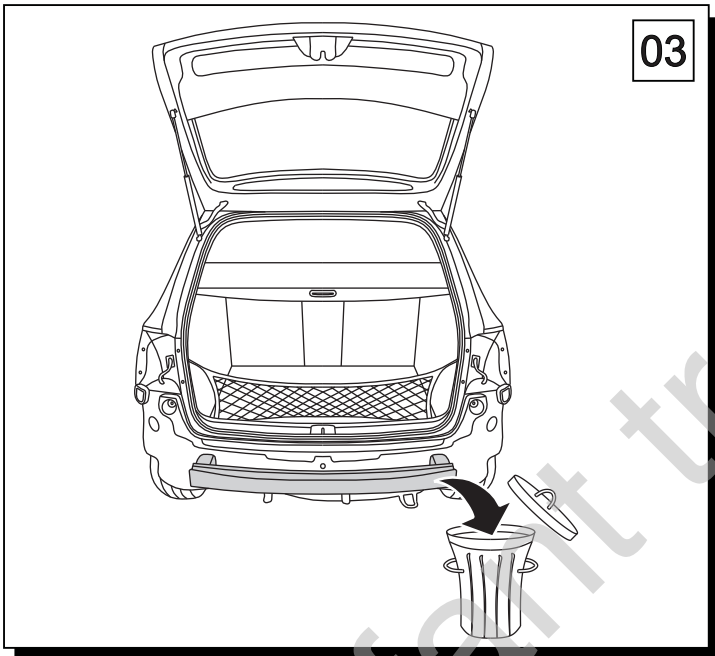
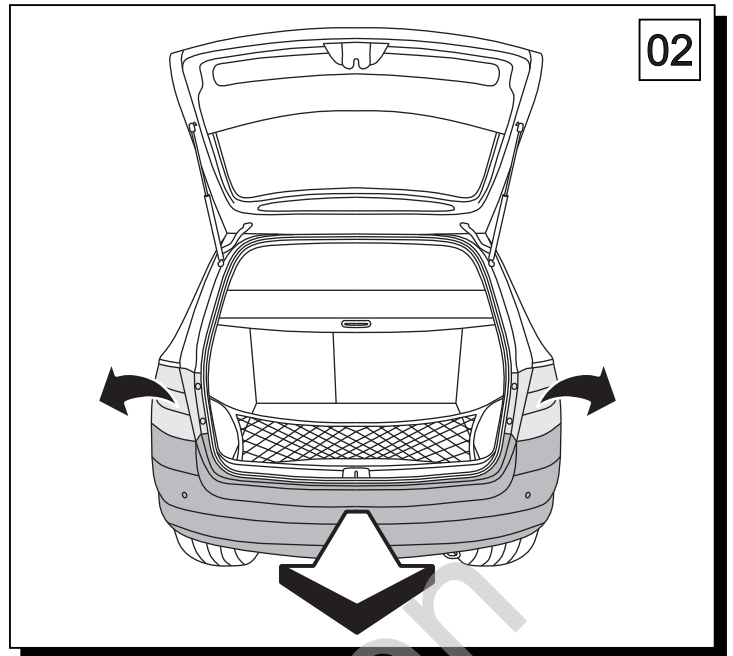
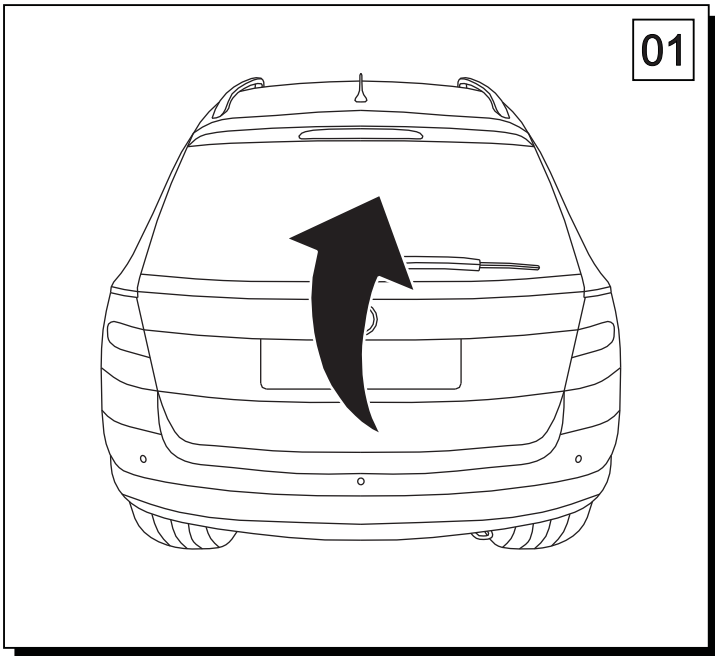
0 km →



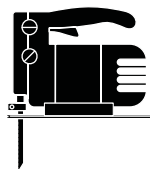
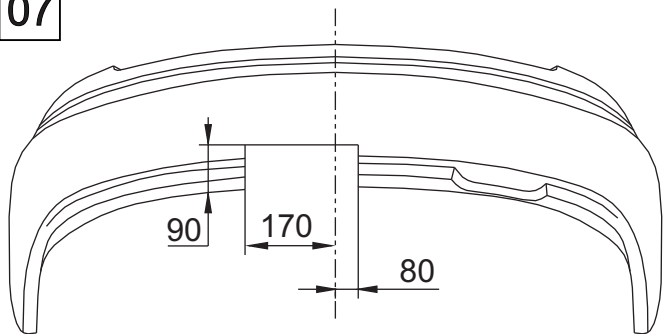
1000 km



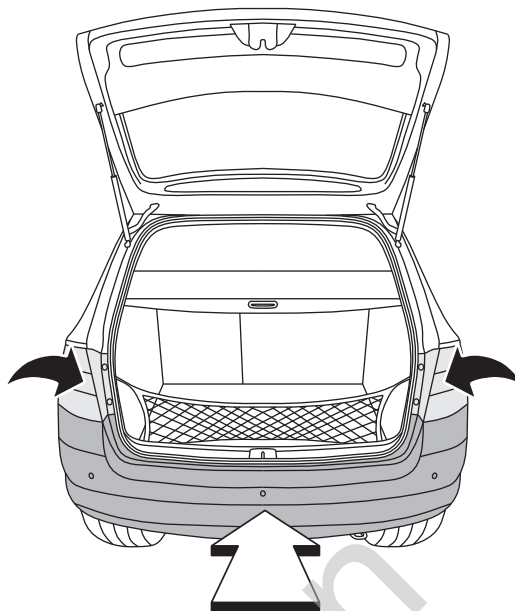
1 	x1		5 M10x35	x4
			6 M8x45	x1
			7 $\varnothing 30 \times \varnothing 10.5 \times 2.5$ 10 DIN 9021	4
			8 $\varnothing 8.5$	x2
2 	x1		9 $\varnothing 10.2$	x4
			10 M8	x1
3 	x1		Art.nr-KL1H25A	
4 	x1		Art.nr-BL1H25A	



07



08



09

