

PPUH AUTO-HAK Sp.J.

Henryk i Zbigniew Nejman
ul. Słoneczna 16K 76-200 SŁUPSK
POLAND

tel/fax +48 59 8 414 414; +48 59 8 414 413

e-mail: office@autohak.com.pl

www.autohak.com.pl



AUTO-HAK



SKODA FABIA III 5D

Cat. no:

H24A



09.2014 → 07.2018



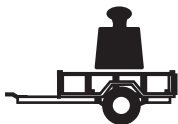
E20-55R-01 4132



2h

D

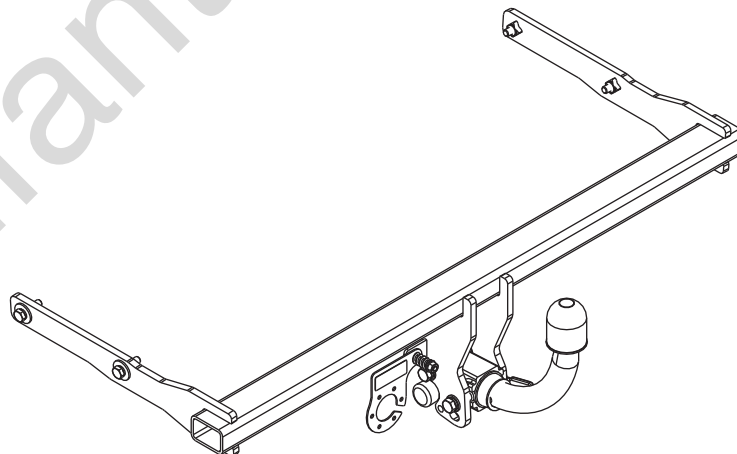
6,7 kN



R=1200 kg



S=75 kg



M6 - 11 Nm
M10 - 50 Nm
M14 - 138 Nm

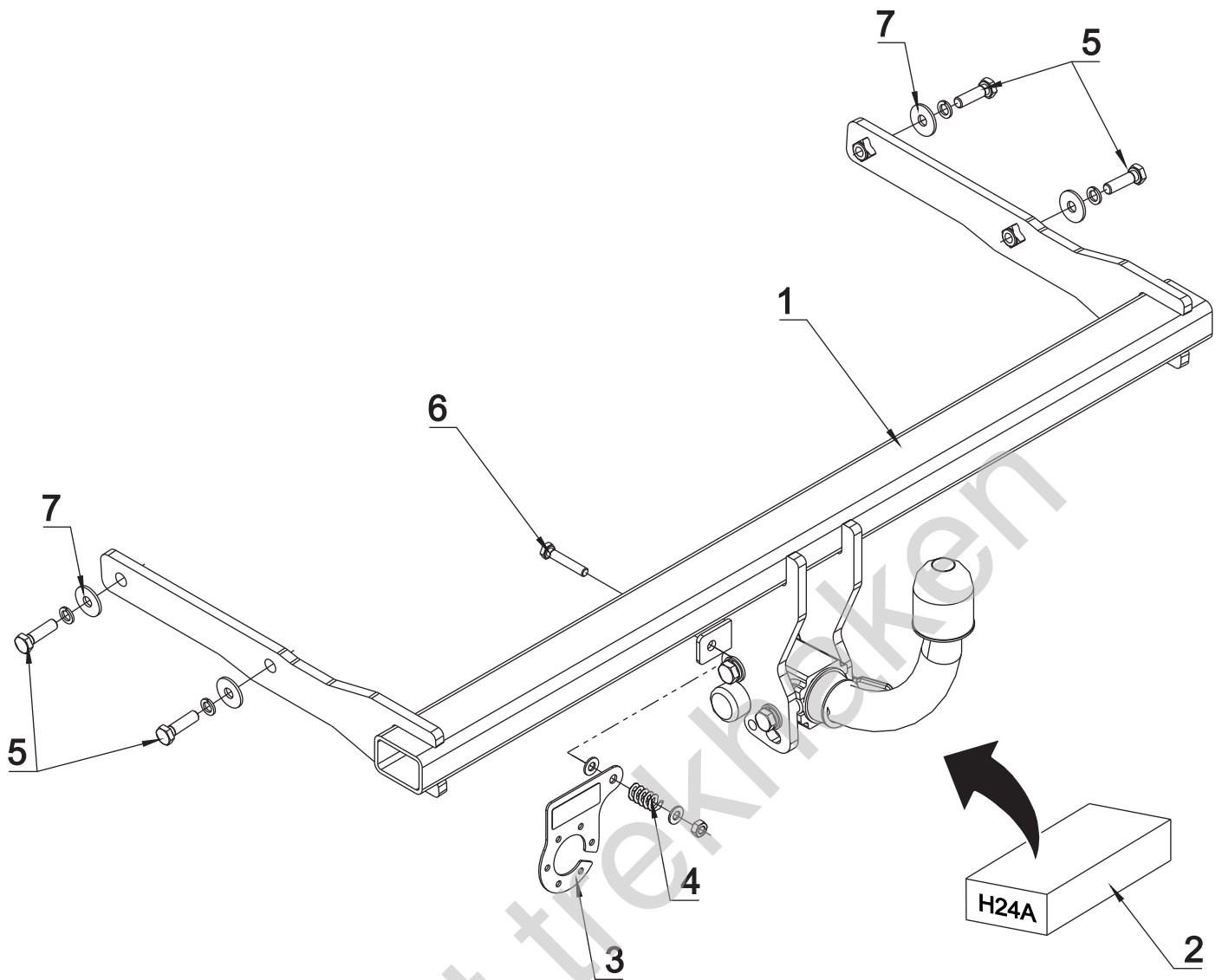
M8 - 25 Nm
M12 - 87 Nm
M16 - 210 Nm

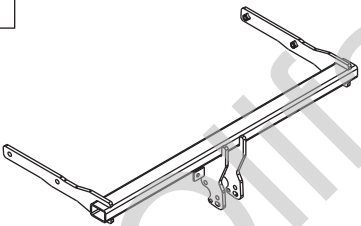




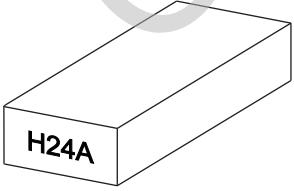



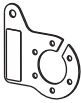
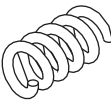


0 km →



1000 km



	x1		5	M10x35	x4
			6	M8x45	x1
			7	$\varnothing 30 \times \varnothing 10.5 \times 2.5$ 10 DIN 9021	4
			8	$\varnothing 8.5$	x2
	x1		9	$\varnothing 10.2$	x4
			10	M12	x2
			11	M8	x1
	x1	Art.nr-KL1H24A			
	x1	Art.nr-BL1H24A			

