

# AUTO-HAK Sp. z o.o.

ul. Słoneczna 16K 76-200 SŁUPSK  
POLAND

tel/fax +48 59 8 414 414; +48 59 8 414 413

e-mail: [office@autohak.com.pl](mailto:office@autohak.com.pl)

[www.autohak.com.pl](http://www.autohak.com.pl)



# AUTO-HAK

## SKODA YETI (SUV) SKODA YETI OUTDOOR (SUV)

Nr kat.

H22A



01.2014 →



E20-55R-01 3720



10,0 kN



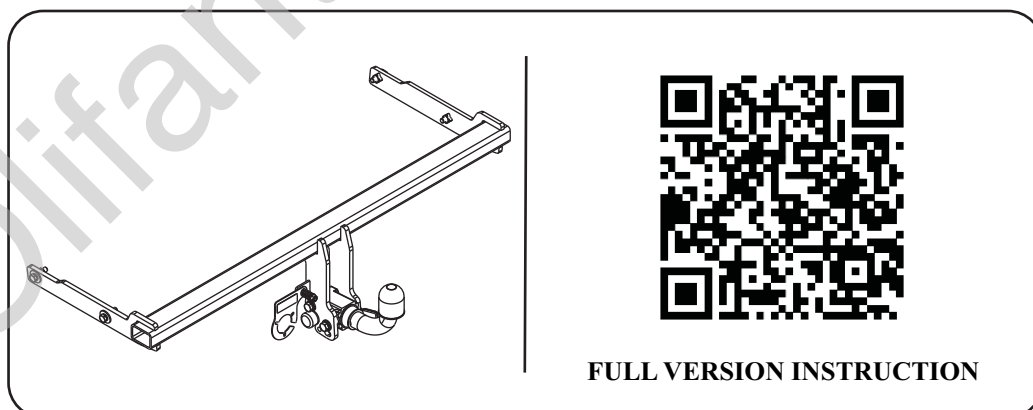
R=2000 kg



S=80 kg



2h



FULL VERSION INSTRUCTION



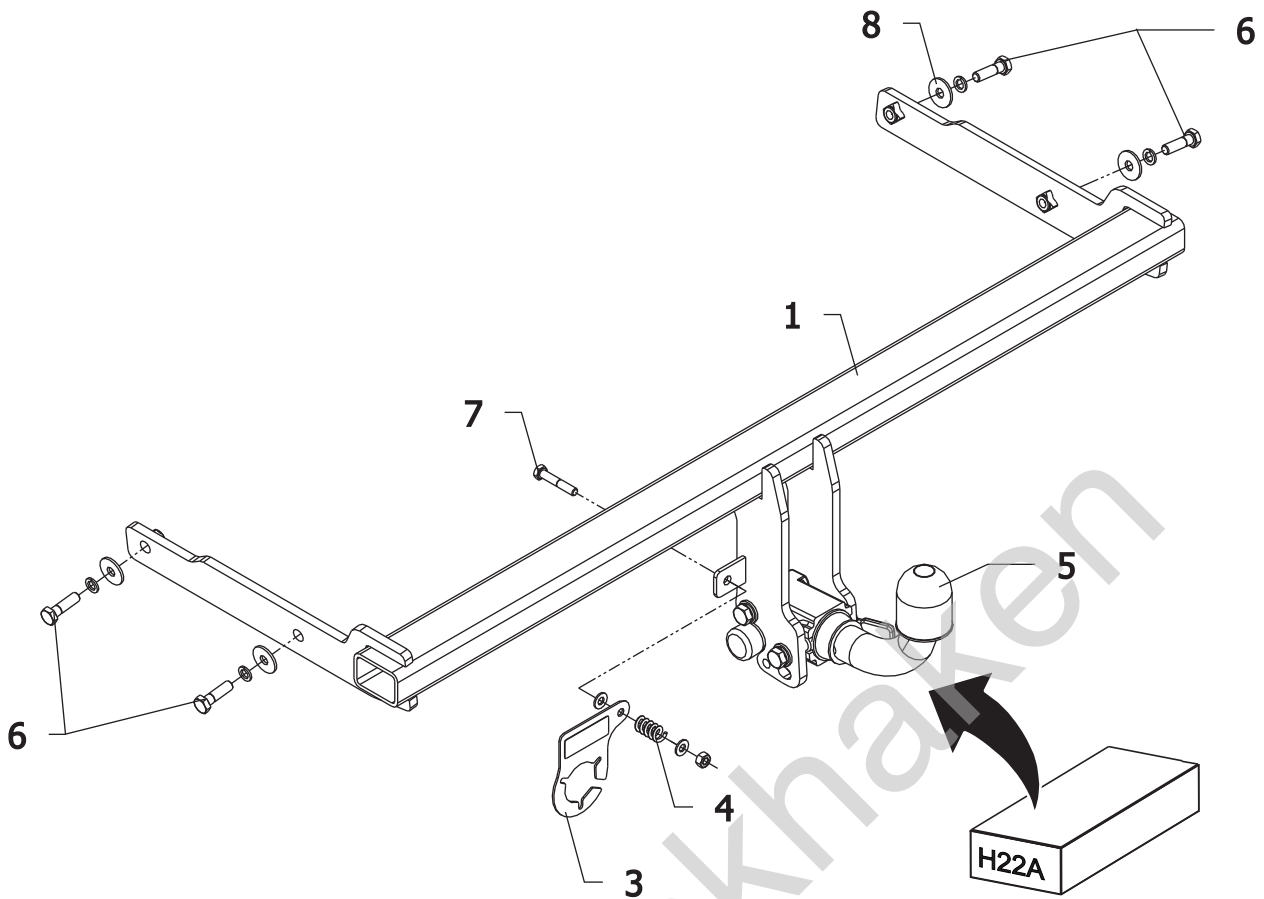
śruba	Nm	M6	M8	M10	M12	M14	M16
klasa 8.8		9,9	24	48	83	132	200
klasa 10.9		14	34	67	117	185	285

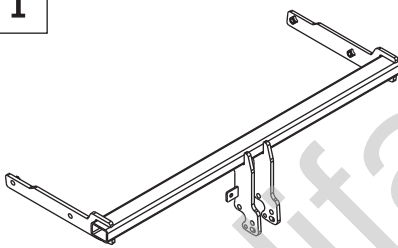


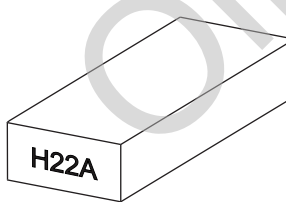





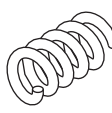



0 km



1000 km



<b>1</b> 	<b>x1</b>		<b>6</b> M10x35	<b>x4</b>
			<b>7</b> M8x45	<b>x1</b>
<b>2</b>  Art.nr-KL1H22A	<b>x1</b>		<b>8</b> $\varnothing$ 30x $\varnothing$ 10.5x2.5 10 DIN 9021	<b>4</b>
			<b>9</b> $\varnothing$ 8.4	<b>x2</b>
			<b>10</b> $\varnothing$ 10.2	<b>x4</b>
<b>3</b>  Art.nr-BL1H22A	<b>x1</b>		<b>11</b> M8	<b>x1</b>
<b>4</b> 	<b>x1</b>			
<b>5</b> 	<b>x1</b>			

