

# AUTO-HAK Sp. z o.o.

ul. Słoneczna 16K 76-200 SŁUPSK  
POLAND

tel/fax +48 59 8 414 414; +48 59 8 414 413

e-mail: [office@autohak.com.pl](mailto:office@autohak.com.pl)

[www.autohak.com.pl](http://www.autohak.com.pl)



# AUTO-HAK



**SKODA OCTAVIA III  
5D, KOMBI, 4x4, RS**

Cat. no:

**H20A**



02.2013 → 12.2019



E20-55R-01 3155



9,5 kN



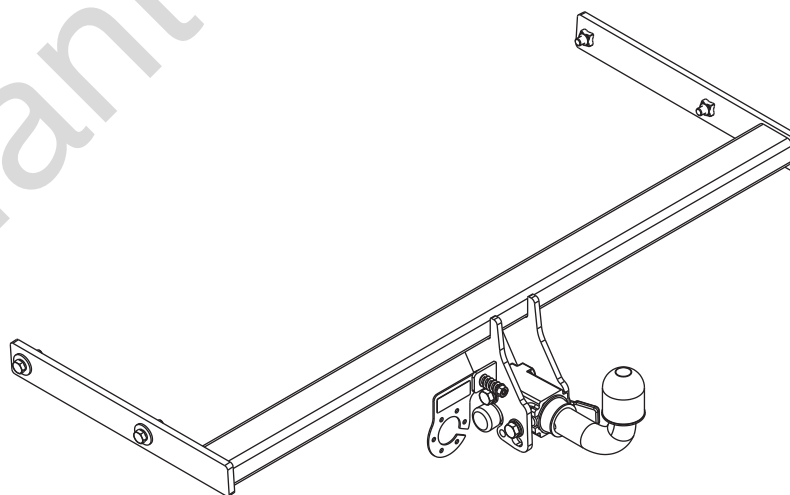
2h



R=1800 kg



S=100 kg



M6 - 11 Nm  
M10 - 50 Nm  
M14 - 138 Nm

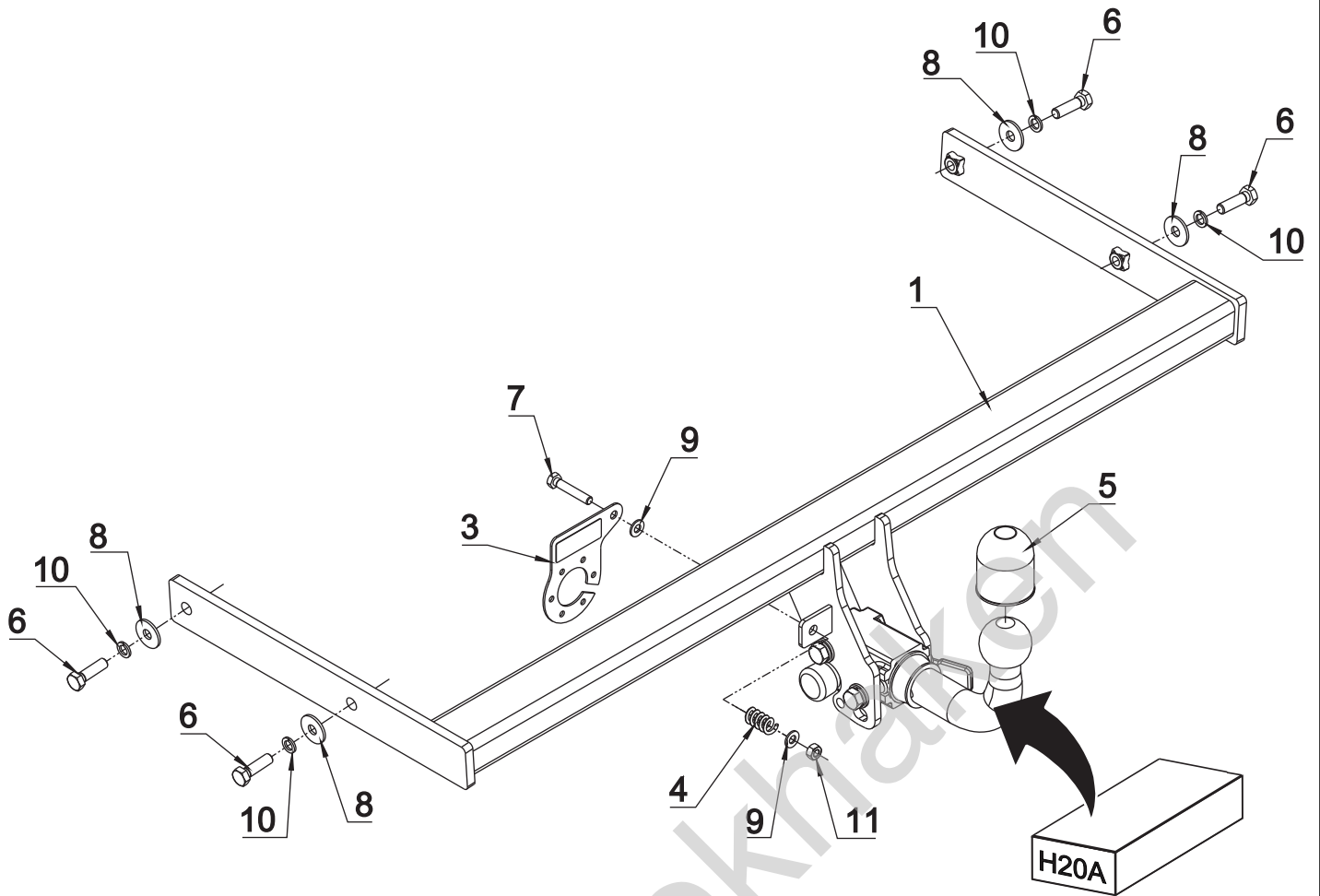
M8 - 25 Nm  
M12 - 87 Nm  
M16 - 210 Nm

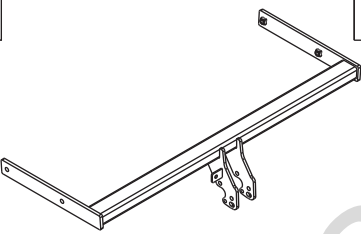

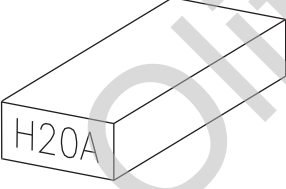


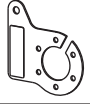
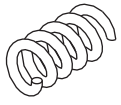



0 km →



1000 km



|   |   |                |   |    |   |    |
|---|---|----------------|---|----|---|----|
| 1 |  | x1             |  | 6  | M10x35                                      | x4 |
|   |   |                |   | 7  | M8x45                                       | x1 |
| 2 |  | x1             |  | 8  | $\phi$ 30x $\phi$ 10.5x2.5<br>10 (DIN 9021) | x4 |
|   |   |                |   | 9  | $\phi$ 8.4                                  | x2 |
|   |   |                |   | 10 | $\phi$ 10.2                                 | x4 |
|   |   |                |  | 11 | M8  | x1 |
| 3 |  | x1             |   |    |   |    |
|   |   | Art.nr-BL1H20A |   |    |   |    |
| 4 |  | x1             |   |    |   |    |
| 5 |  | x1             |   |    |   |    |

