

AUTO-HAK Sp. z o.o.

ul. Słoneczna 16K 76-200 SŁUPSK
POLAND

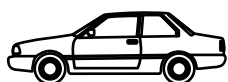
tel/fax +48 59 8 414 414; +48 59 8 414 413

e-mail: office@autohak.com.pl

www.autohak.com.pl



AUTO-HAK



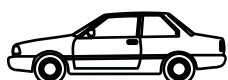
SKODA RAPID 5 drz.

07.2012 → 05.2015

06.2015 →

Cat. no:

H19A



SEAT TOLEDO 5 drz.

03.2013 → 05.2015

06.2015 →



2h



E20-55R-01 4690

D

8,5 kN



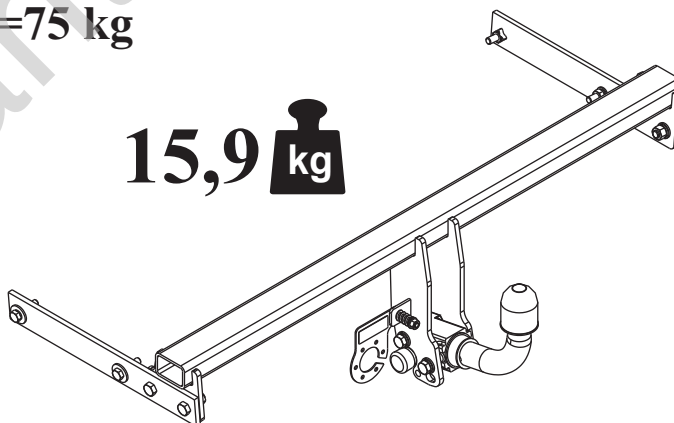
R=1300 kg



S=75 kg



15,9 kg



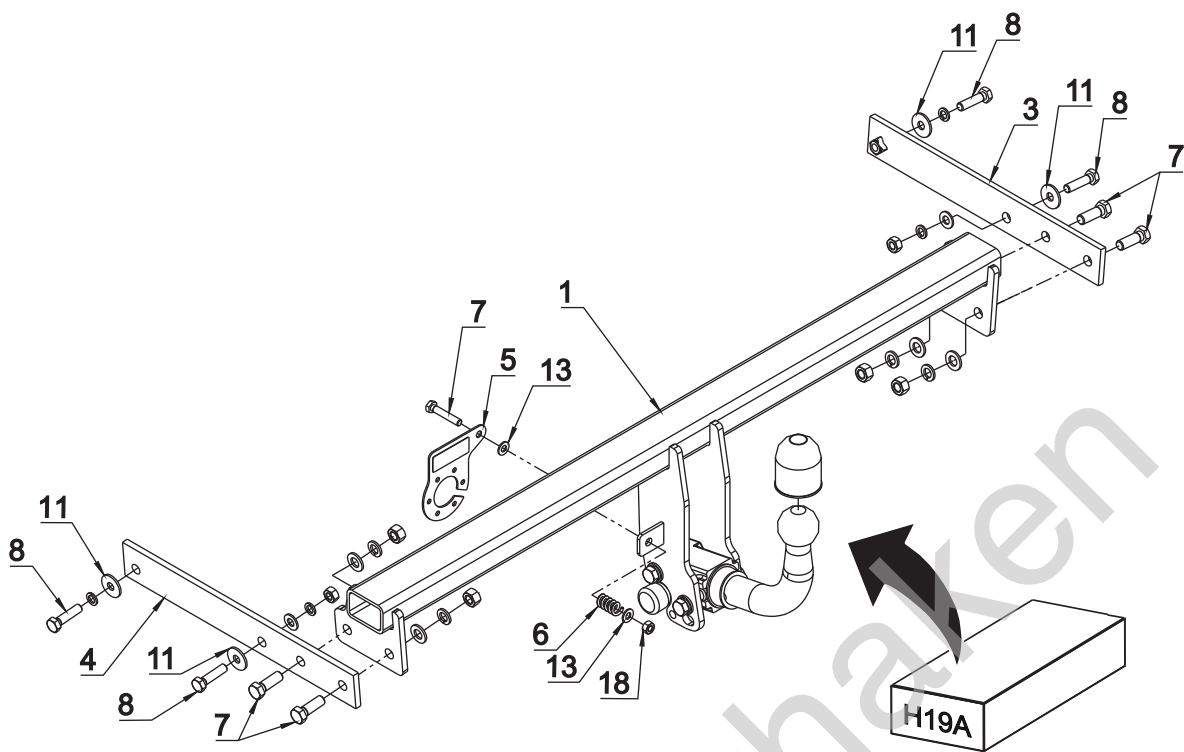
| śruba | Nm | M6 | M8 | M10 | M12 | M14 | M16 |
|------------|----|-----|----|-----|-----|-----|-----|
| klasa 8.8 | | 9,9 | 24 | 48 | 83 | 132 | 200 |
| klasa 10.9 | | 14 | 34 | 67 | 117 | 185 | 285 |

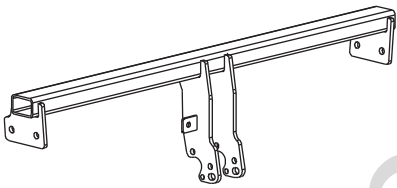
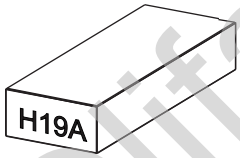
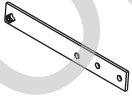
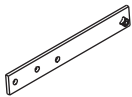
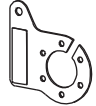
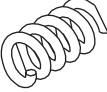


0 km →



1000 km



| | | | | | |
|---|-----|---|----|---------------------------------|-----|
| 1 | x 1 |  | 7 | M 12x35 | x 4 |
| 2 | x 1 |  Art.nr-KL1H19A | 8 | M 10x40 | x 4 |
| | | | 9 | M 8x45 | x 1 |
| 3 | x 1 |  | 10 | ∅ 13 | x 6 |
| | | | 11 | ∅ 30x∅10.5x2.5 10 (DIN 9021) | x 4 |
| 4 | x 1 |  | 12 | ∅ 10.5 | x 2 |
| | | | 13 | ∅ 8,4 | x 2 |
| 5 | x 1 |  Art.nr-BL1H19A | 14 | ∅ 12.2 | x 4 |
| | | | 15 | ∅ 10.2 | x 4 |
| 6 | x 1 |  | 16 | M 12 | x 4 |
| | | | 17 | M 10 | x 2 |
| | | | 18 | M 8 | x 1 |

