

AUTO-HAK Sp. z o.o.

ul. Słoneczna 16K 76-200 SŁUPSK
POLAND

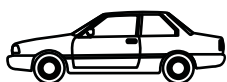
tel/fax +48 59 8 414 414; +48 59 8 414 413

e-mail: office@autohak.com.pl

www.autohak.com.pl



AUTO-HAK



SKODA OCTAVIA II 5D, KOMBI, 4x4 SCOUT, RS

Cat. no:

H14A



06.2004 → 2013



E20-55R-01 5888



2h



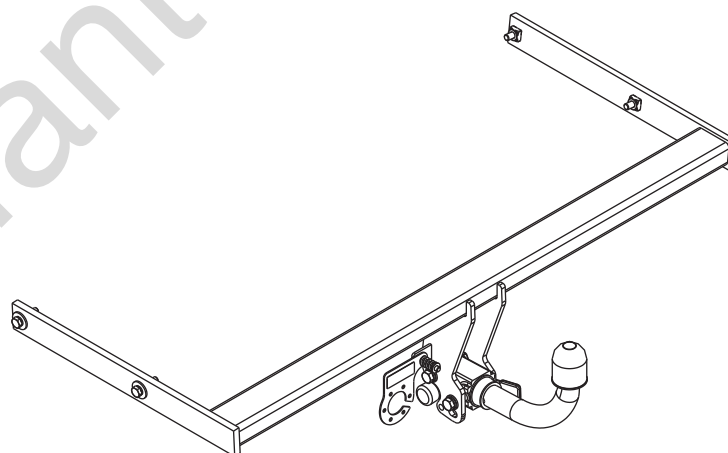
9,5 kN



R=1800 kg



S=100 kg



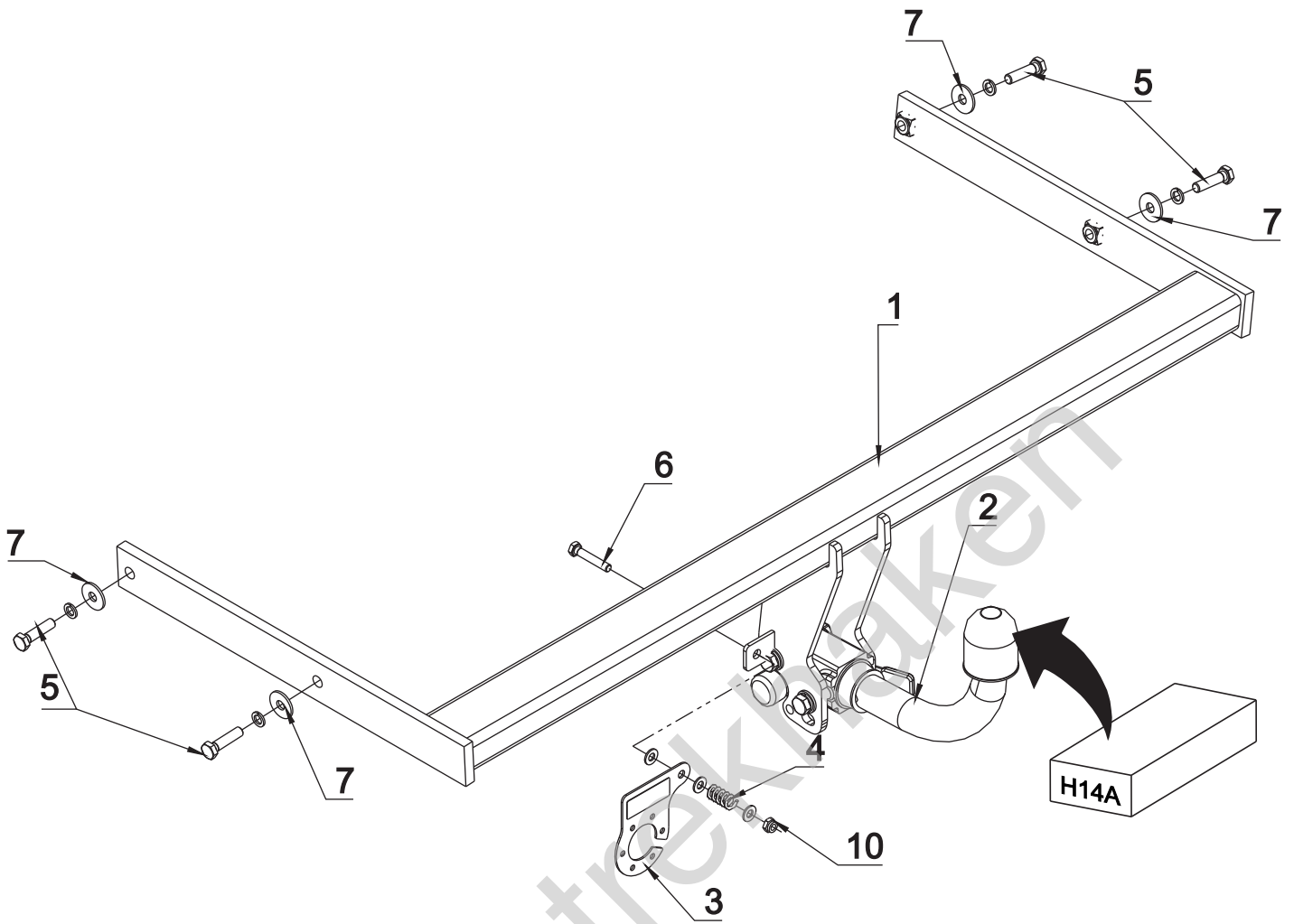
śruba	Nm	M6	M8	M10	M12	M14	M16
klasa 8.8		9,9	24	48	83	132	200
klasa 10.9		14	34	67	117	185	285

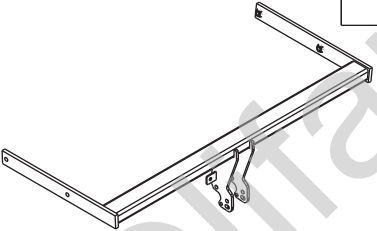
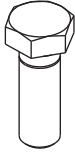
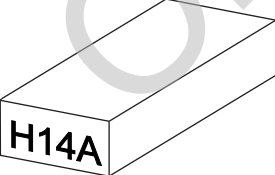

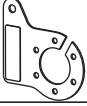




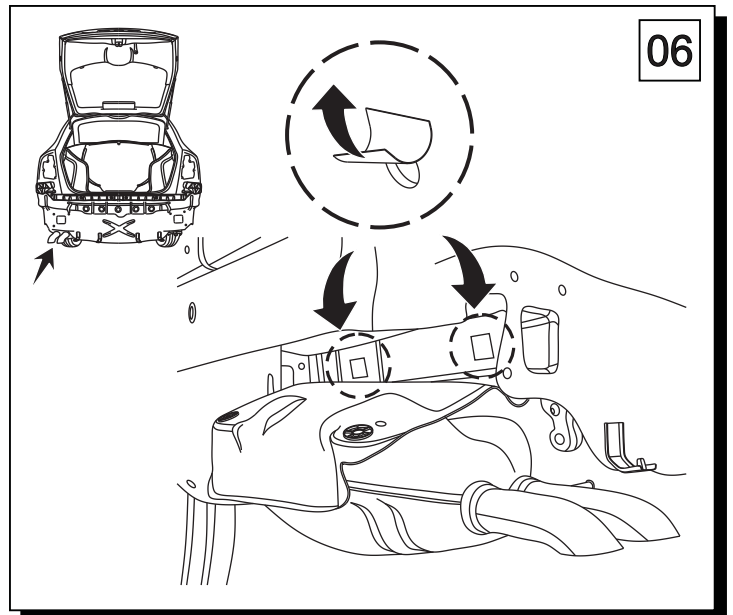
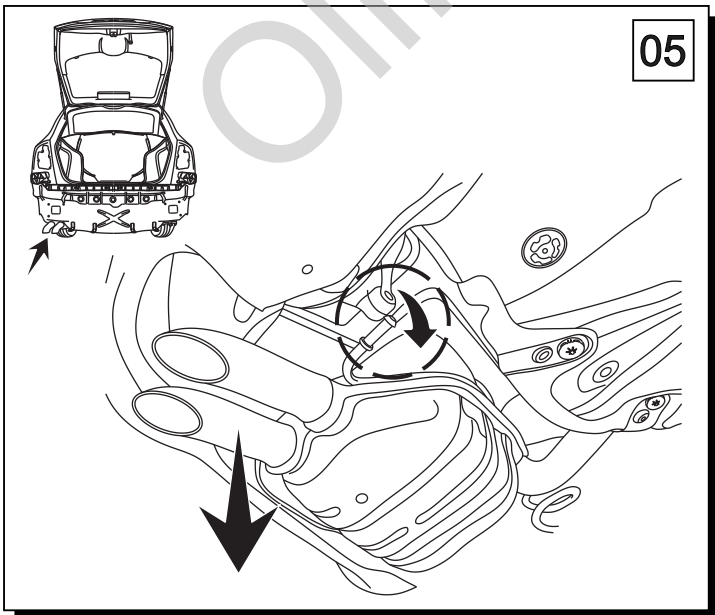
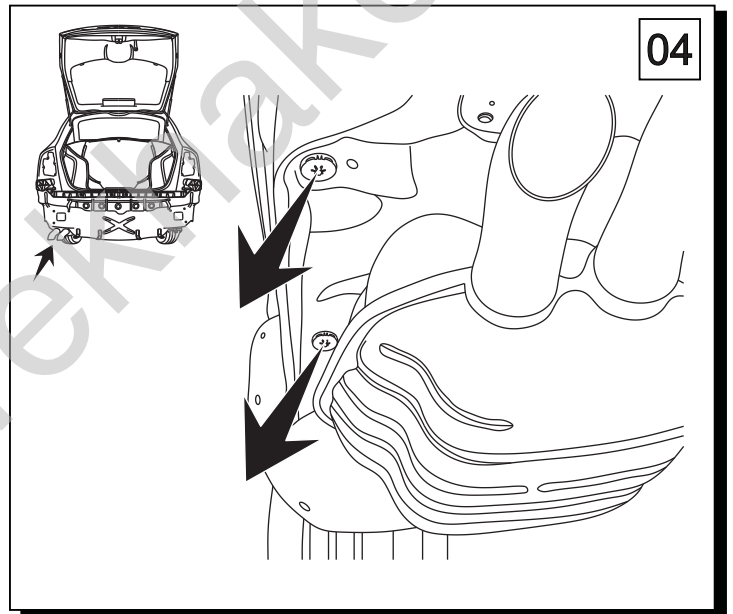
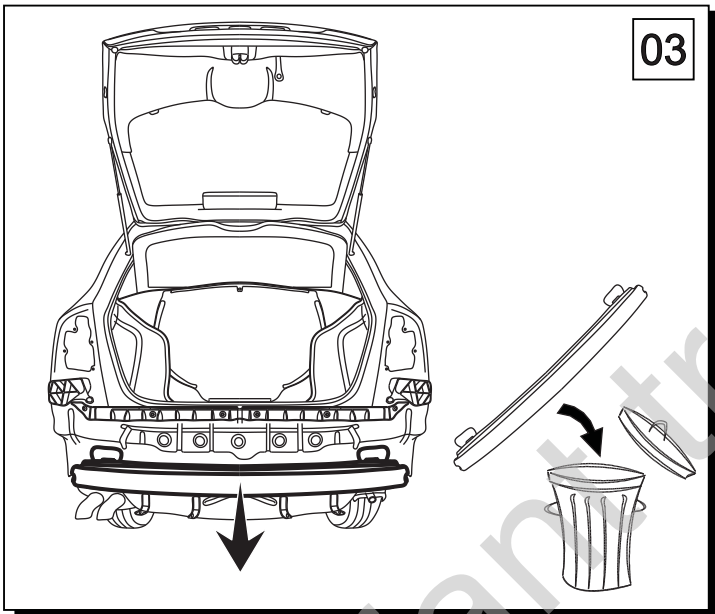
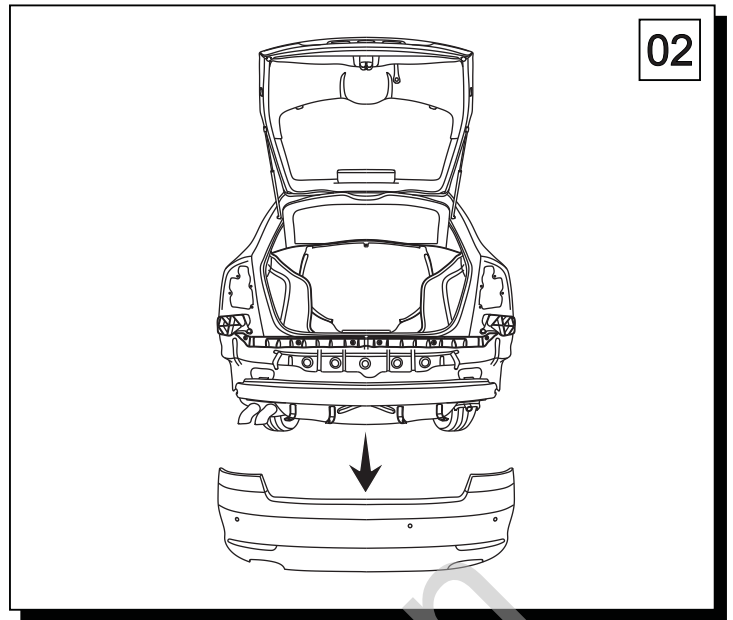
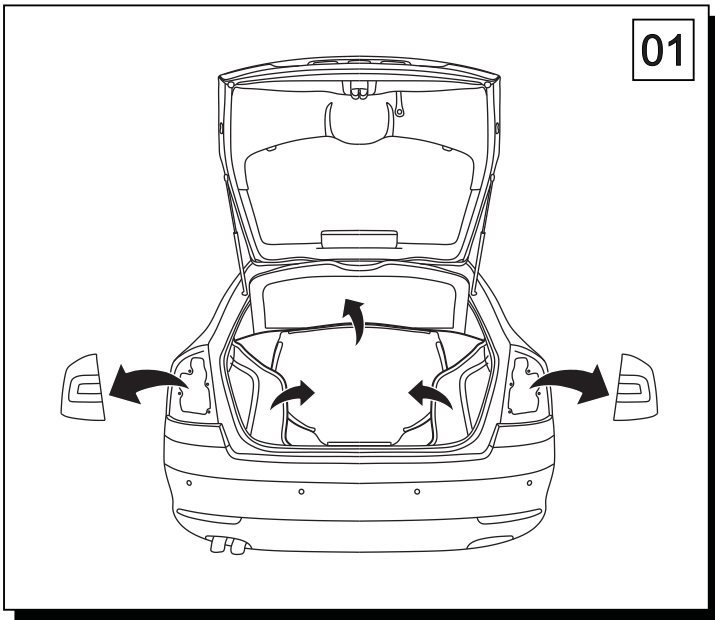
0 km

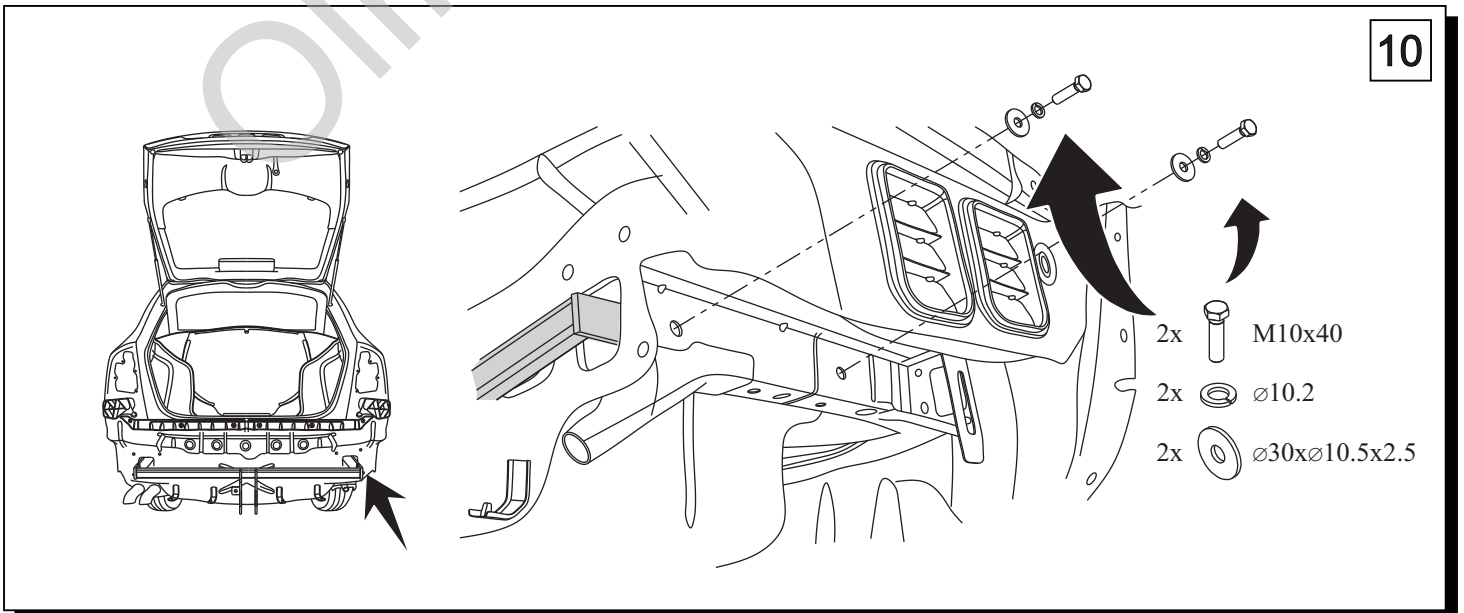
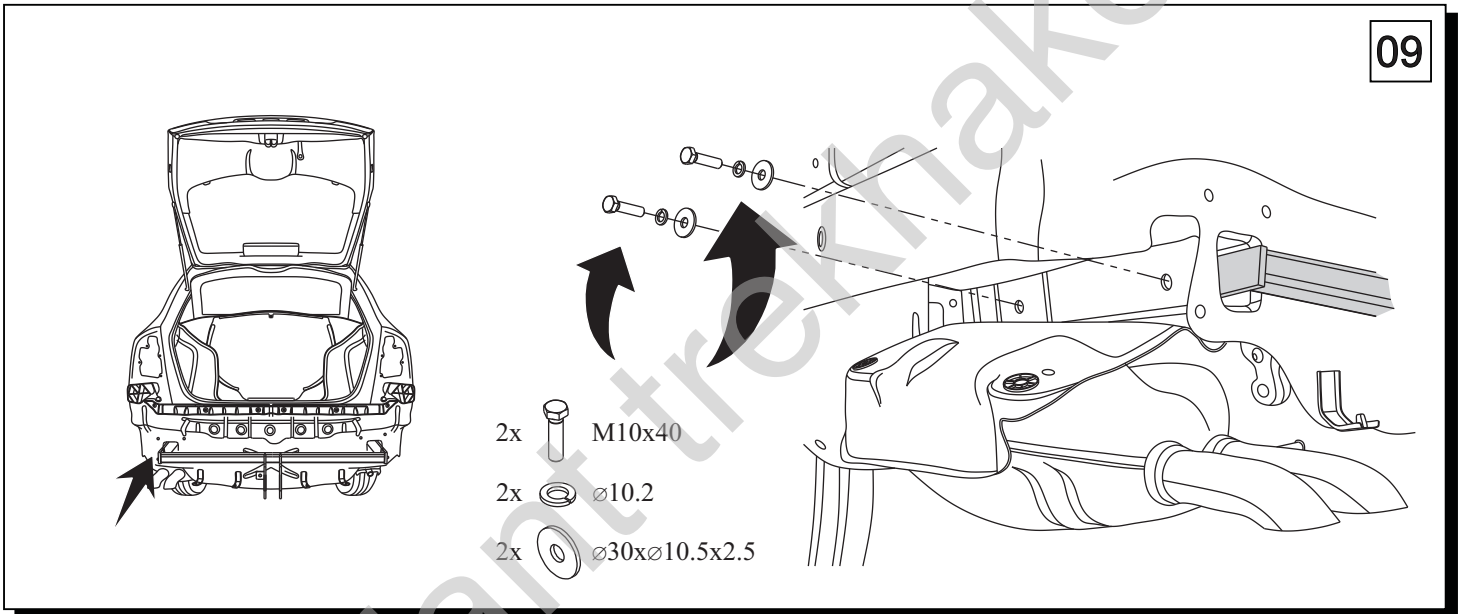
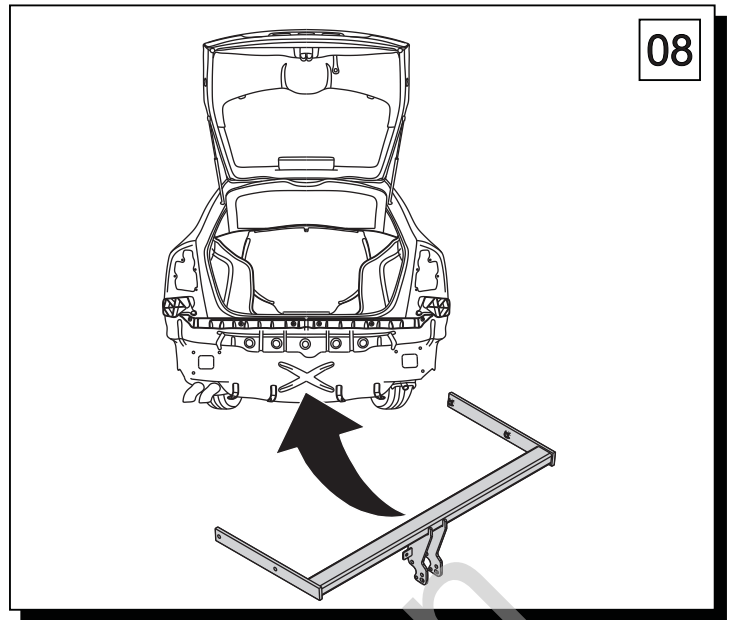
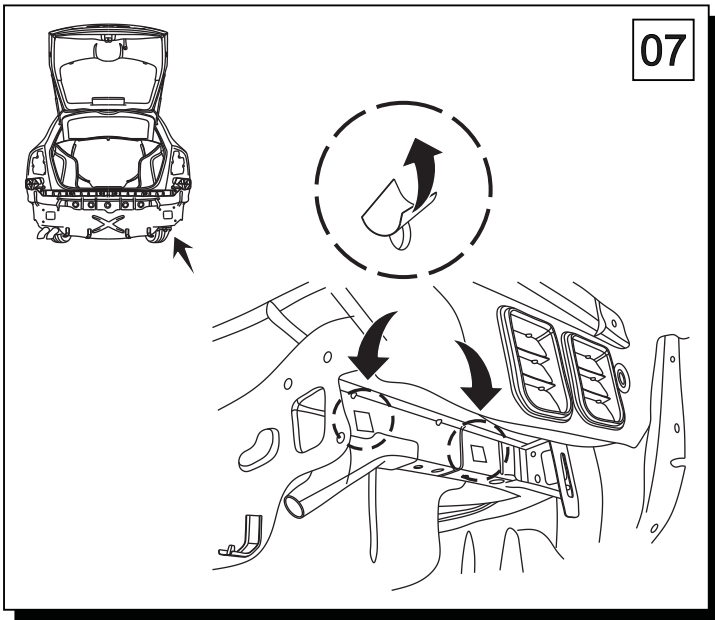


1000 km

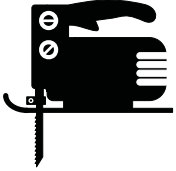
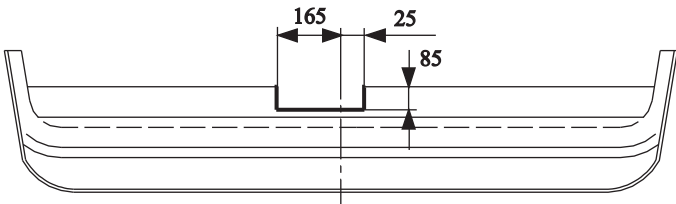


1 	x1		5 M10x40	x4
			6 M8x45	x1
2 	x1		7 \varnothing 30x \varnothing 10.5x2.5 10 – DIN 9021	x4
			8 \varnothing 8.5	x3
3 	x1		9 \varnothing 10.2	x4
			Art.nr-KL1H14A	10 M 8 (DIN985)
4 	x1	Art.nr-BL12H14A		

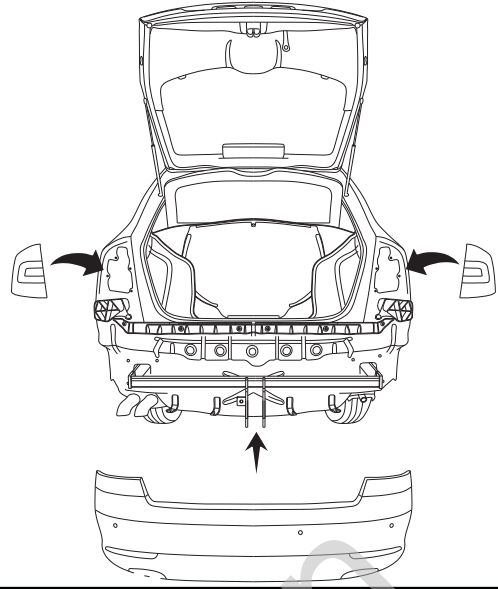




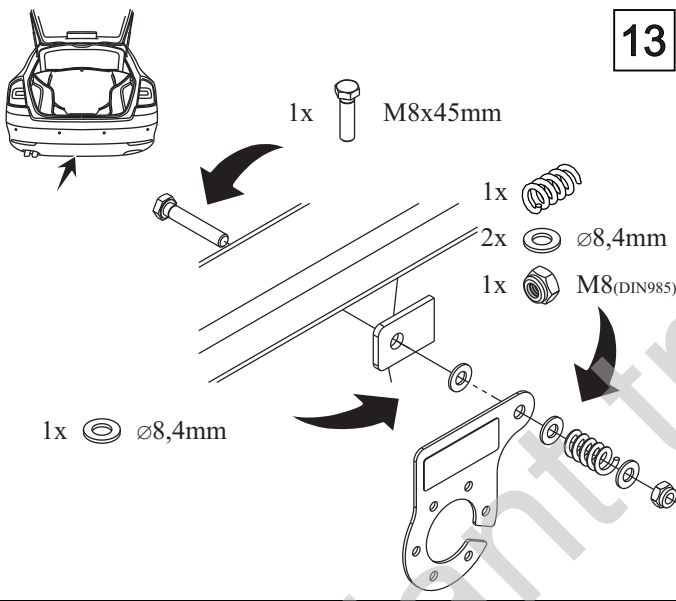
11



12



13



14

