

PPUH AUTO-HAK Sp.J.

Henryk i Zbigniew Nejman
ul. Słoneczna 16K 76-200 SŁUPSK
POLAND

tel/fax +48 59 8 414 414; +48 59 8 414 413

e-mail: office@autohak.com.pl

www.autohak.com.pl



AUTO-HAK



**SKODA SUPERB I
4D (3U4)**

Cat. no:

H08A



03.2002 → 08.2008

e20

e20*94/20*1139*01

D

10,05 kN



2h



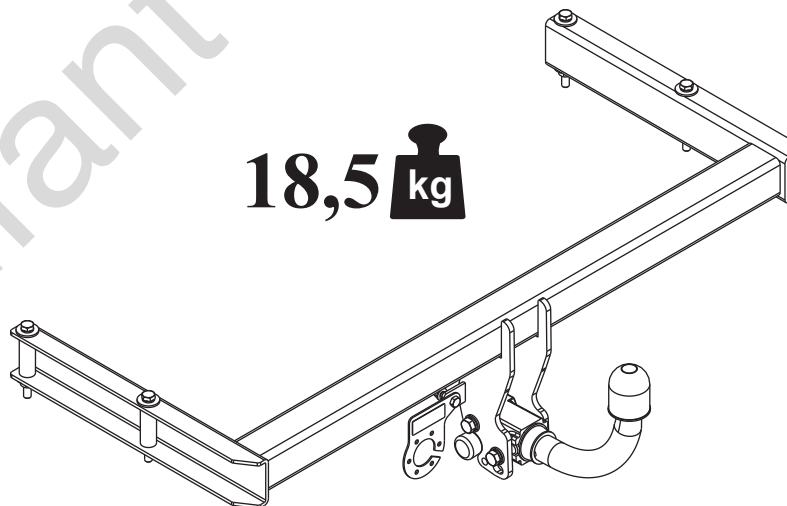
R=2000 kg



S=85 kg



18,5 kg



M6 - 11 Nm
M10 - 50 Nm
M14 - 138 Nm

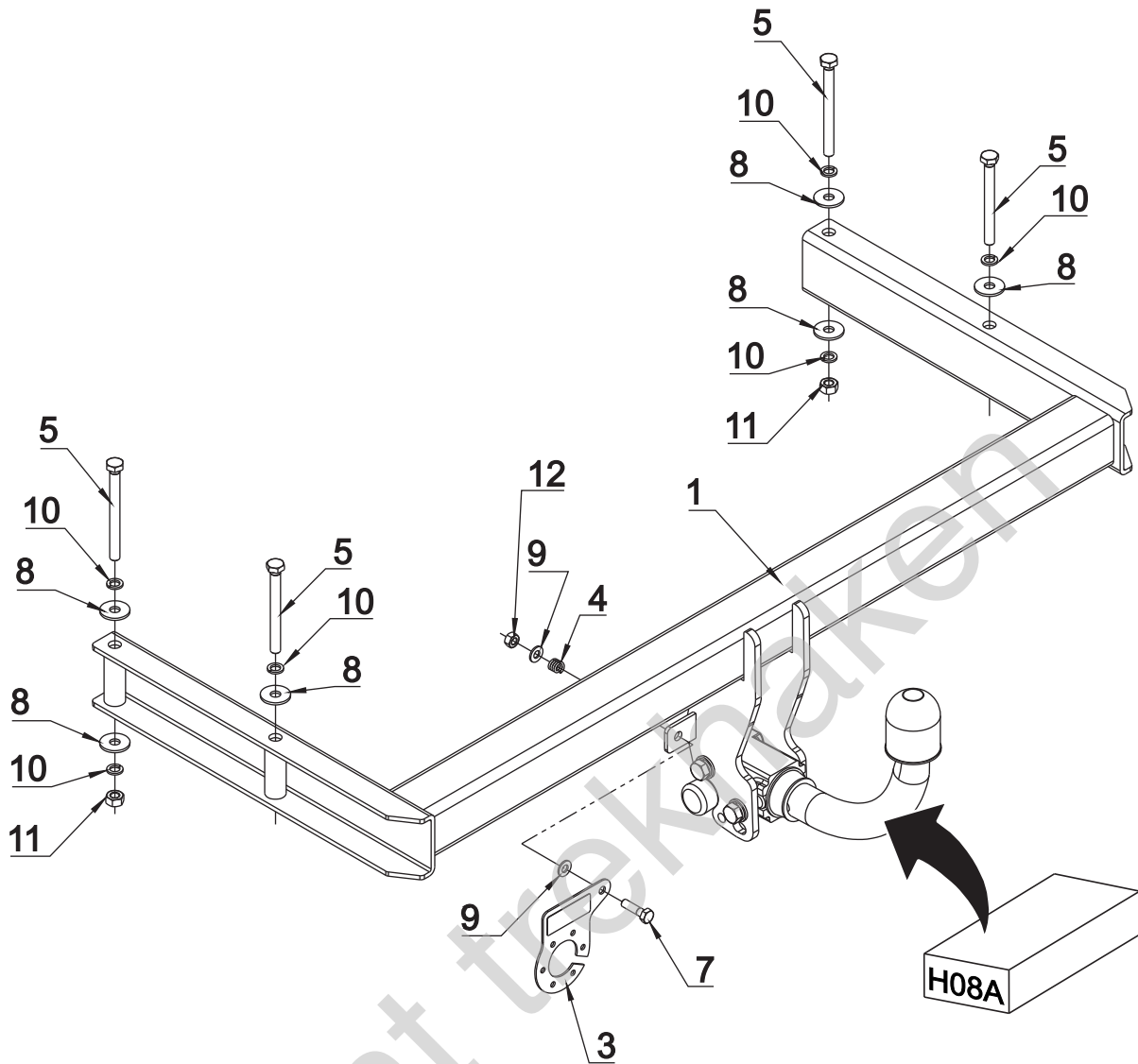
M8 - 25 Nm
M12 - 87 Nm
M16 - 210 Nm

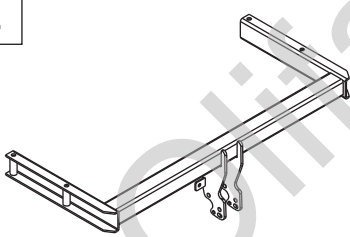

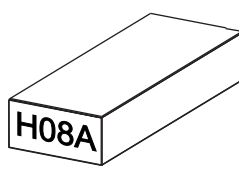



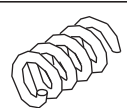
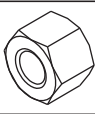


0 km →



1000 km



	x1		5	M10x110	x2
			6	M10x100	x2
	x1		7	M8x45	x1
			8	$\varnothing 30 \times \varnothing 10.5 \times 2.5$ 10 (DIN 9021)	x6
	x1		9	$\varnothing 8.3$	x2
			10	$\varnothing 10.2$	x6
	x1		11	M10	x2
			12	M8	x1
Art. nr-KL1H08A					
Art. nr-BL1H08A					

