

AUTO-HAK Sp. z o.o.

ul. Słoneczna 16K 76-200 SŁUPSK
POLAND

tel/fax +48 59 8 414 414; +48 59 8 414 413

e-mail: office@autohak.com.pl

www.autohak.com.pl



AUTO-HAK

RENAULT ARKANA

Nr kat.


G99A

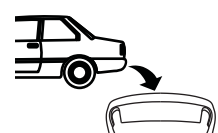
 2021 →


 E20-55R-02 6251

D 8,75 kN

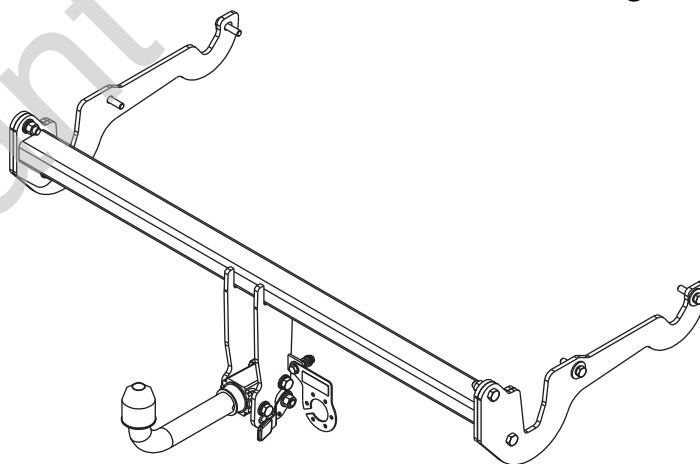
 1,5h

 **R=1500 kg**



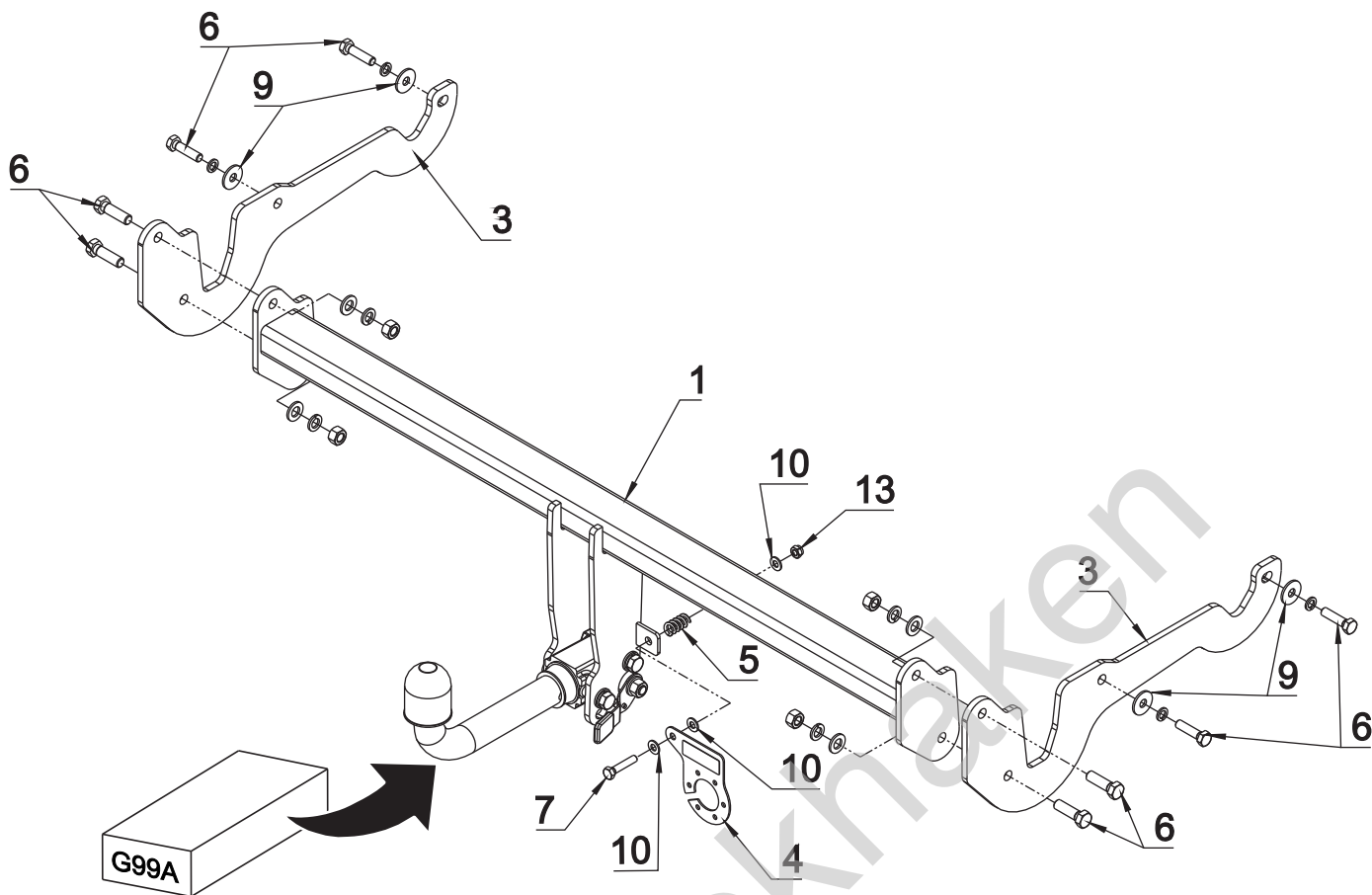
 **S=75 kg**

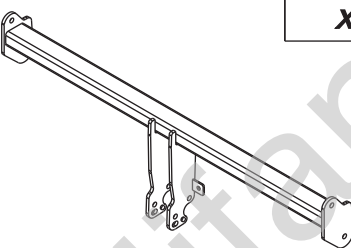


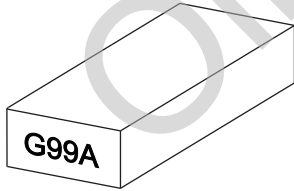





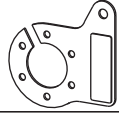





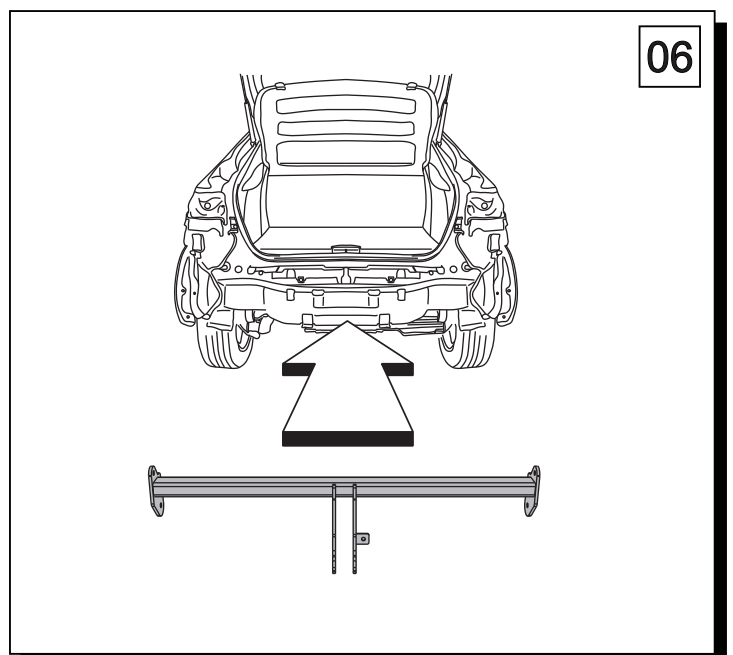
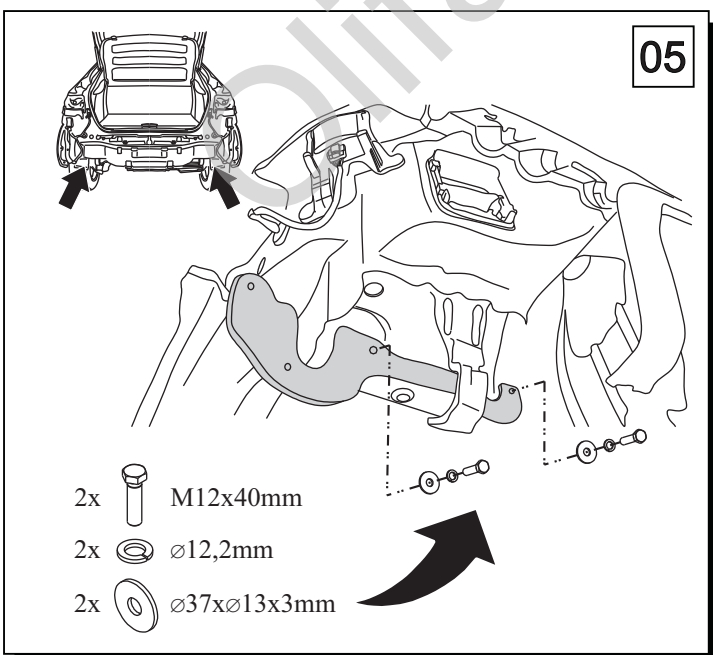
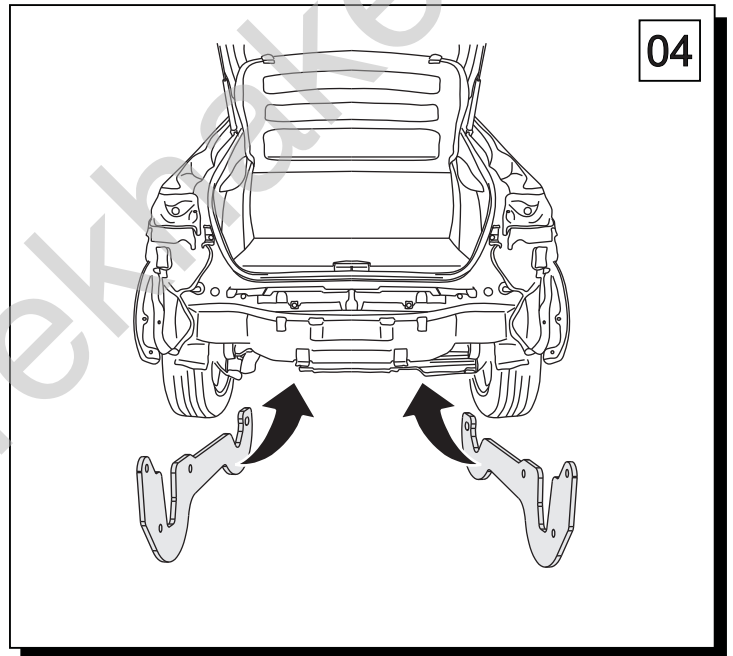
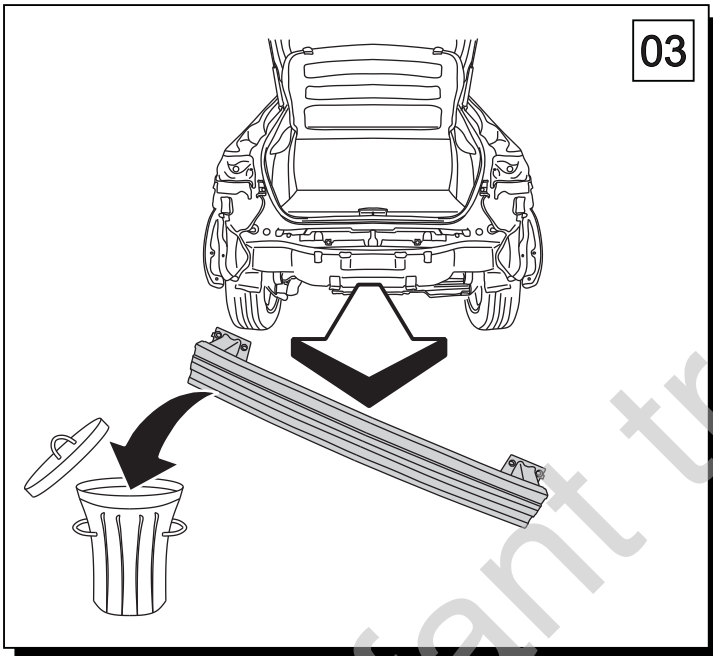
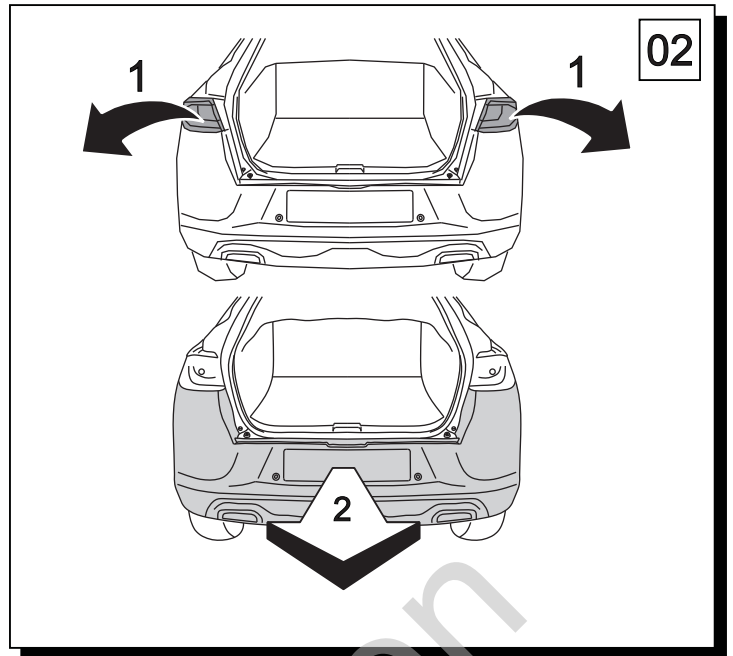
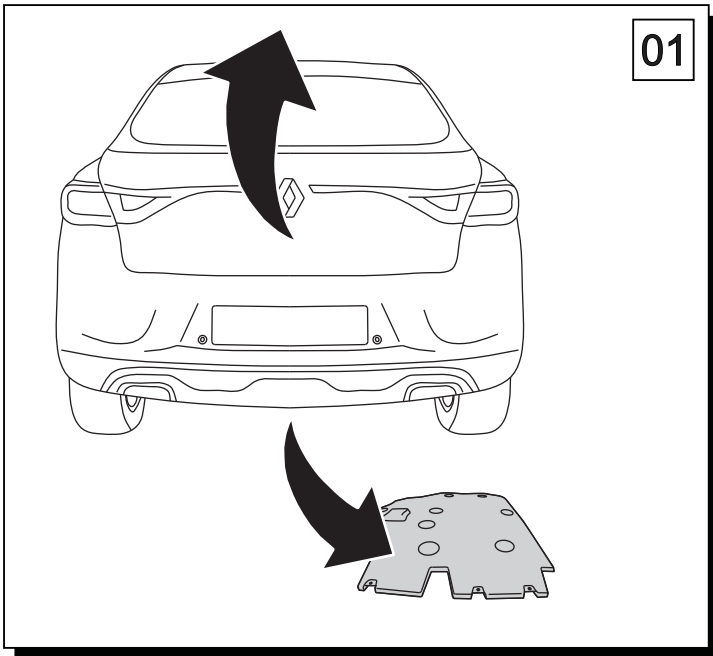


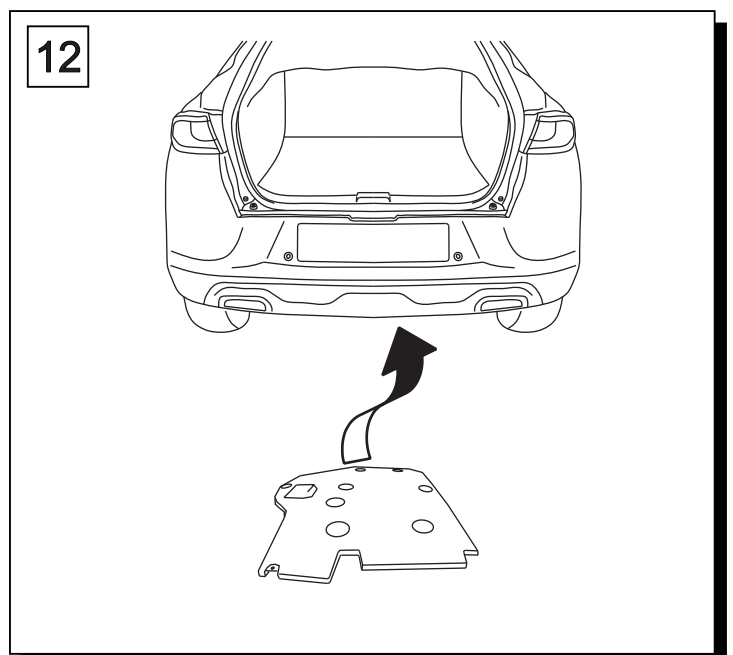
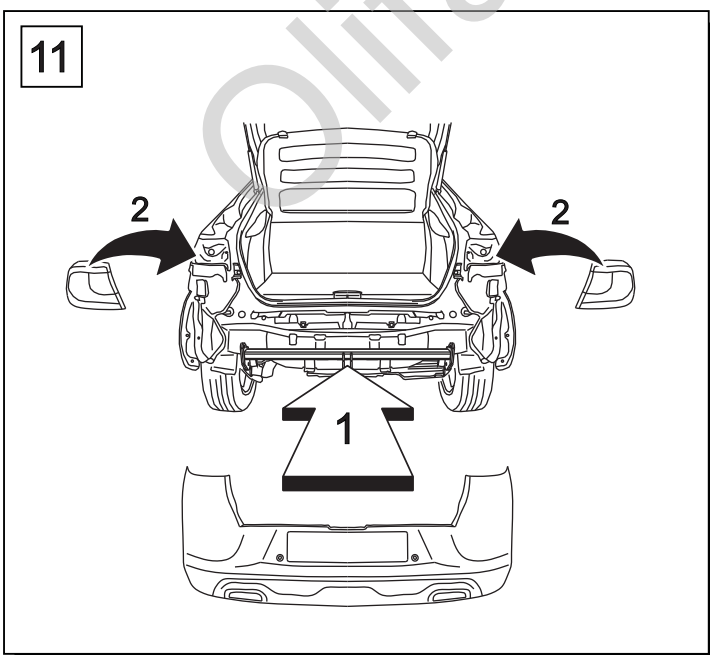
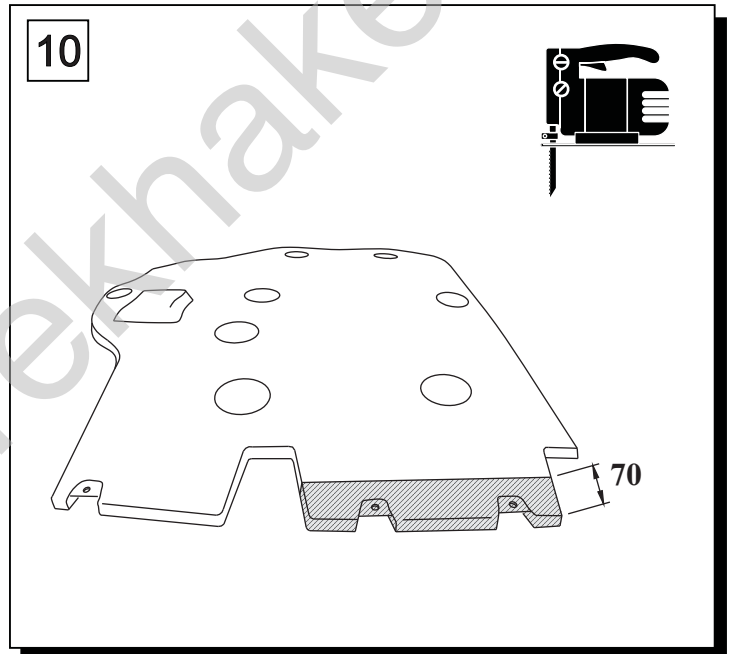
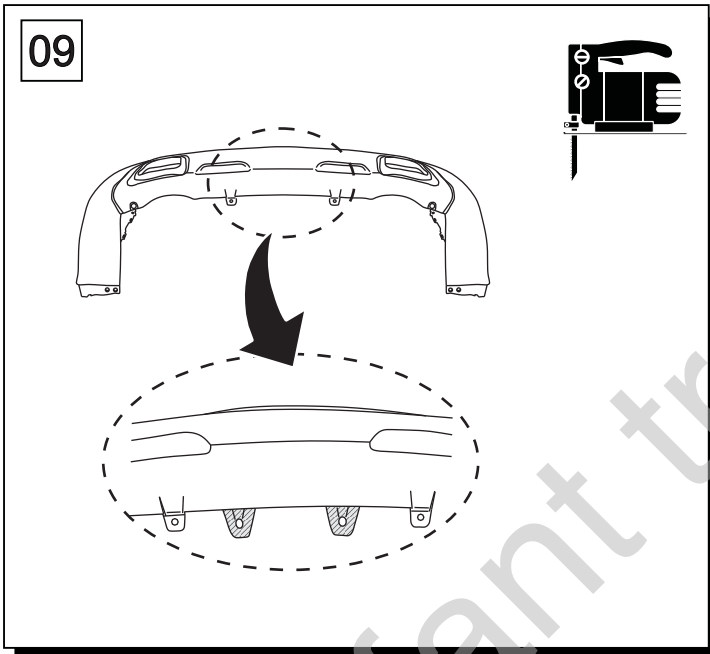
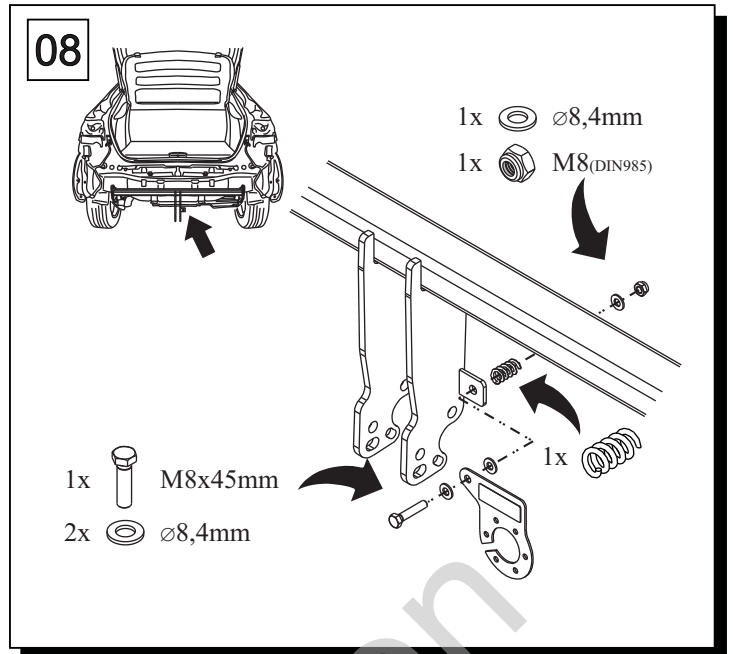
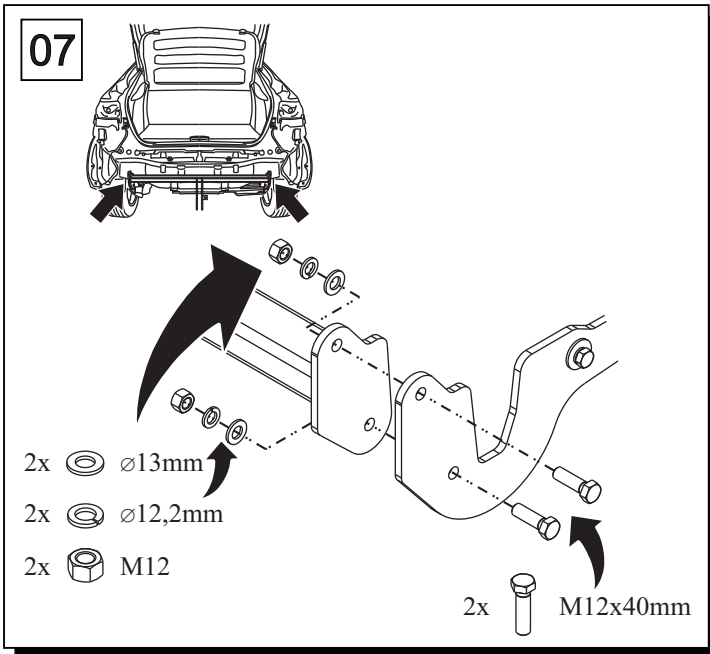
śruba	Nm	M6	M8	M10	M12	M14	M16
klasa 8.8		9,9	24	48	83	132	200
klasa 10.9		14	34	67	117	185	285

 0 km →  1000 km

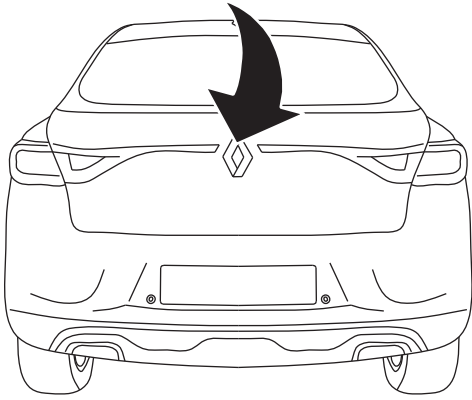


1		x 1		6	M 12x40	x 8
				7	M 8x50	x 1
2		x 1		8	∅ 13	x 4
				9	∅ 37x∅13x3 12 (DIN 9021)	x 4
3		x 2		10	∅ 8.4	x 3
				11	∅ 12.2	x 8
4		x 1		12	M 12	x 4
				13	M 8 (DIN985)	x 1
5		x 1				

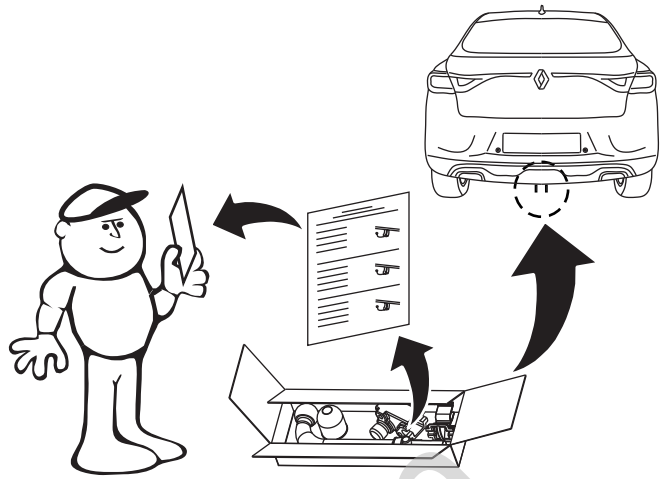




13



14



Olifant trekhaken

