

AUTO-HAK Sp. z o.o.

ul. Słoneczna 16K 76-200 SŁUPSK
POLAND

tel/fax +48 59 8 414 414; +48 59 8 414 413

e-mail: office@autohak.com.pl

www.autohak.com.pl



AUTO-HAK

RENAULT CAPTUR II SUV


 12.2019 →

MITSUBISHI ASX (VSX, VSE)


 01.2023 →


Nr kat.

G97A

 E20-55R-02 5932

D 9,1 kN

 **R=1500 kg**

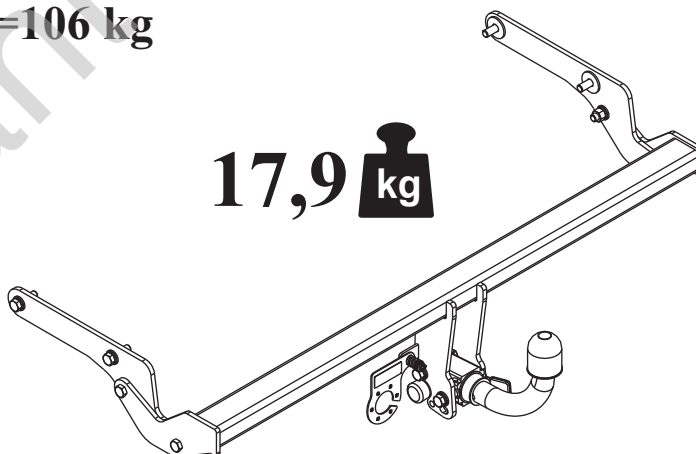
 **S=106 kg**



1.5h

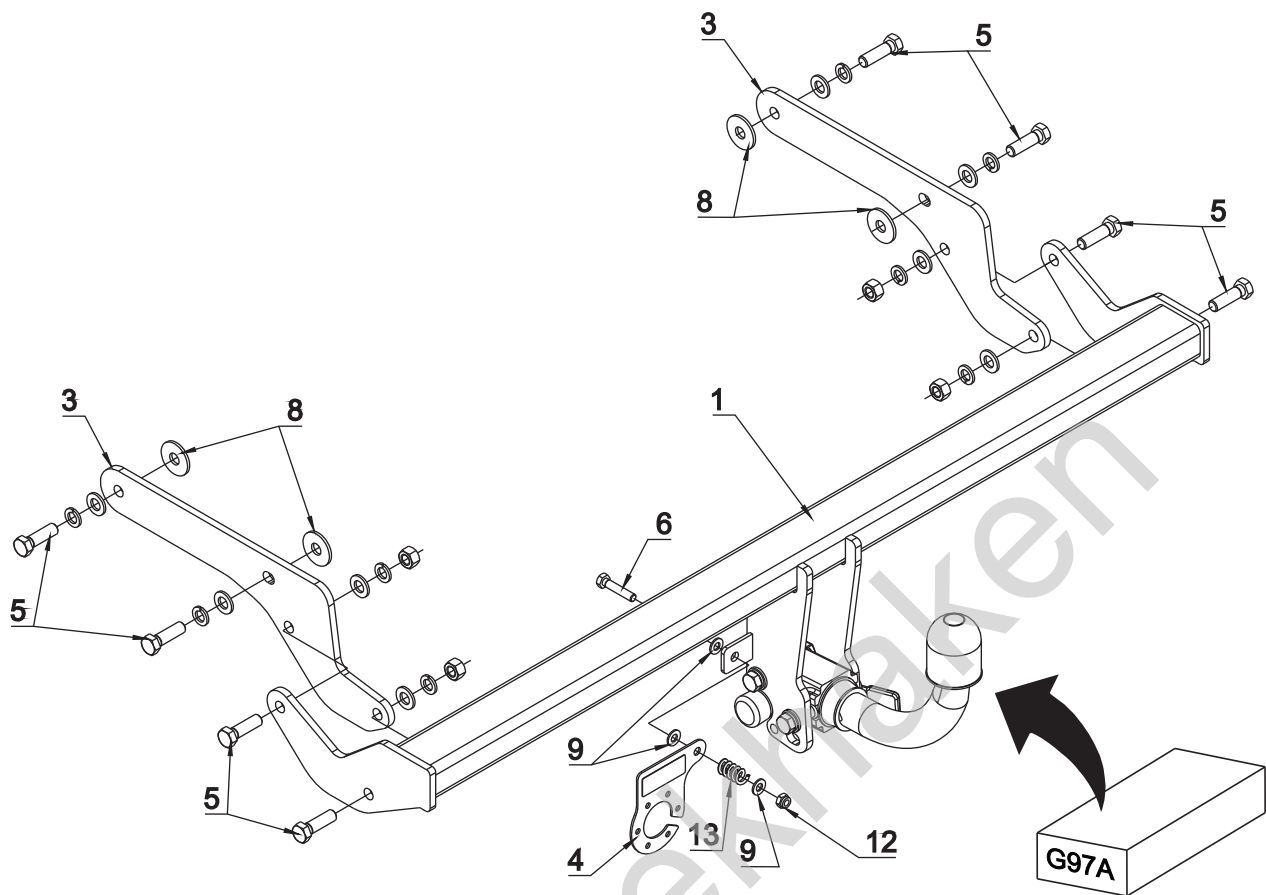


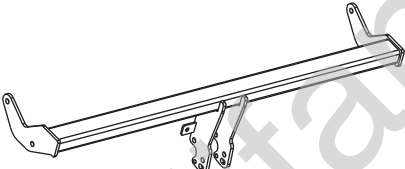

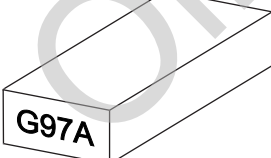

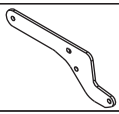

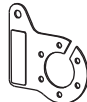


17,9  kg

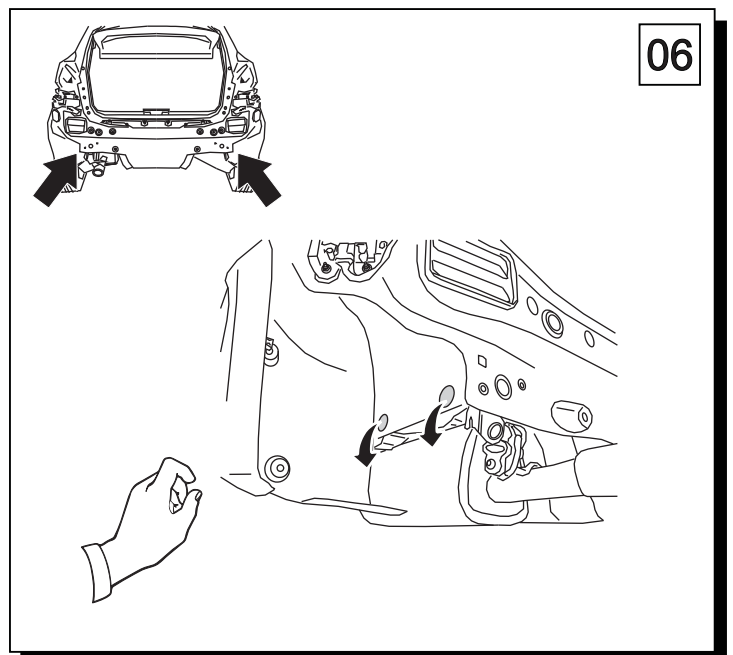
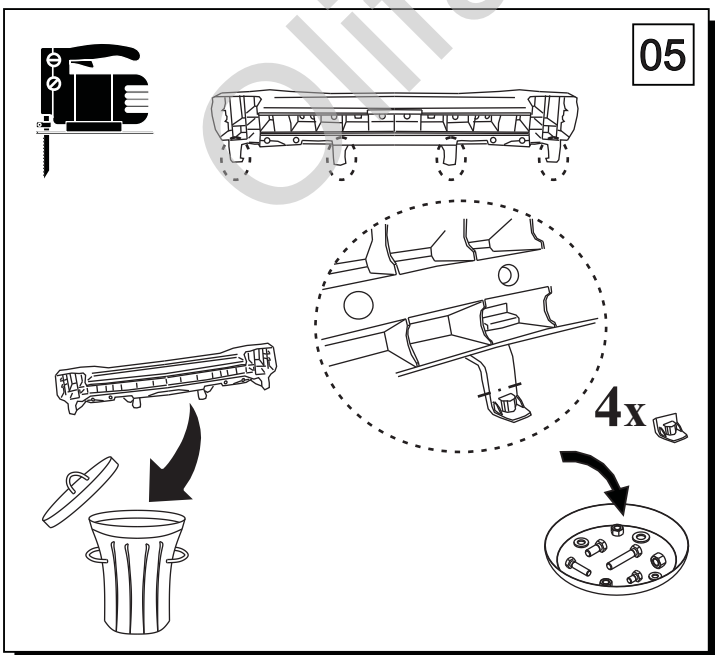
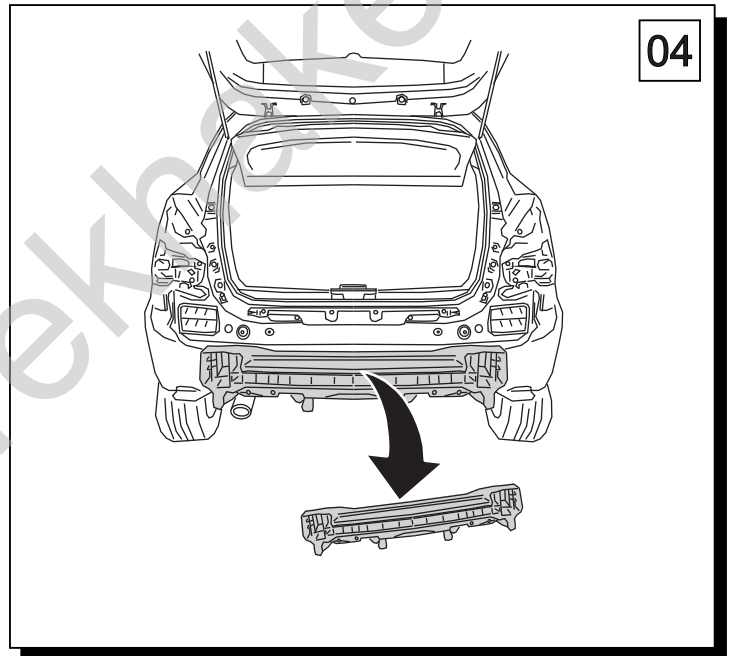
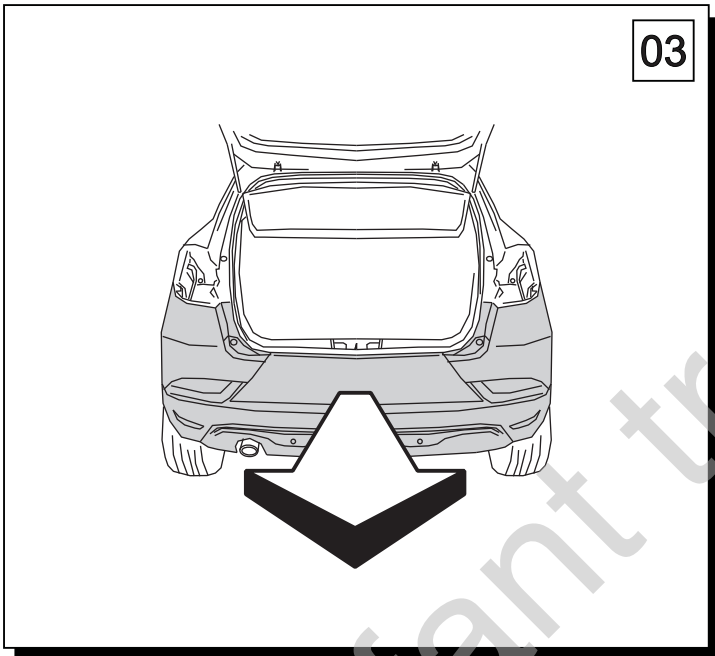
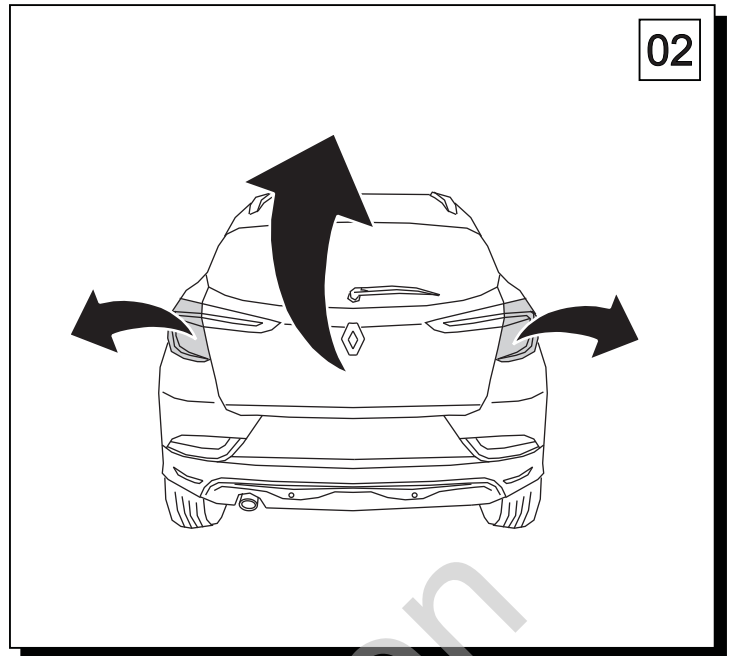
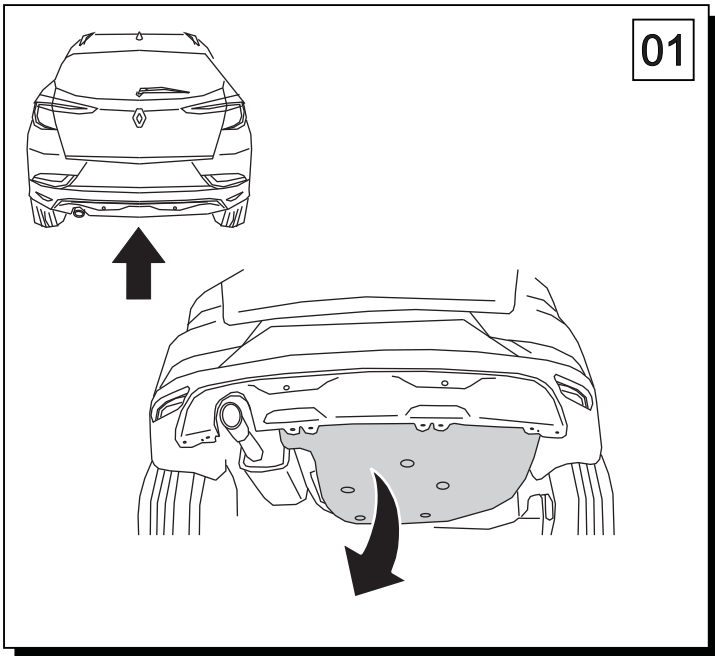


śruba	Nm	M6	M8	M10	M12	M14	M16
klasa 8.8		9,9	24	48	83	132	200
klasa 10.9		14	34	67	117	185	285

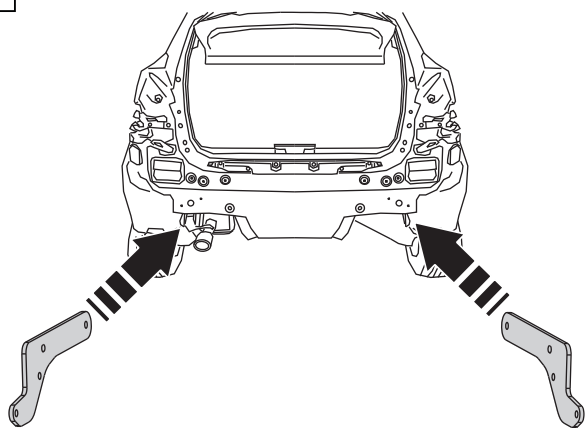
 0 km →  1000 km



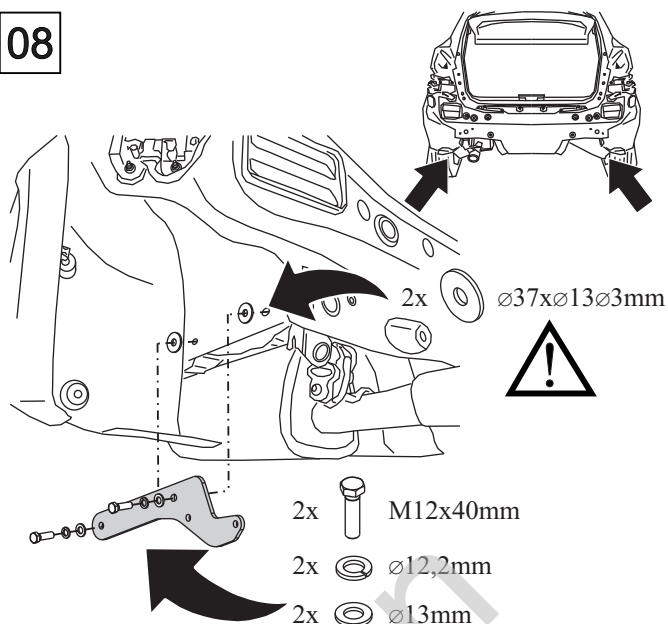
1		x1		5	M12x40	x8
				6	M8x45	x1
2		x1		7	∅ 13	x8
				8	∅ 37x∅13x3 13 (DIN 9021)	x4
3		x2		9	∅ 8.4	x3
				10	∅ 12.2	x8
4		x1		11	M12	x4
				12	M8 (DIN985)	x1
				13		x1



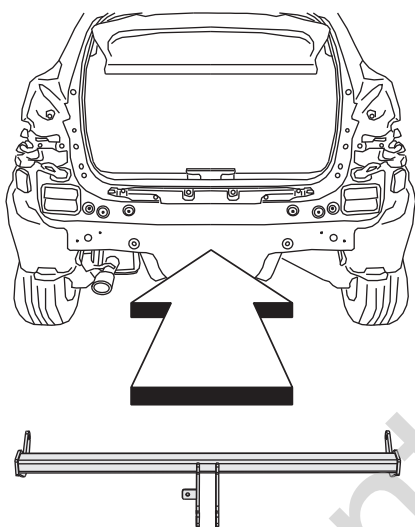
07



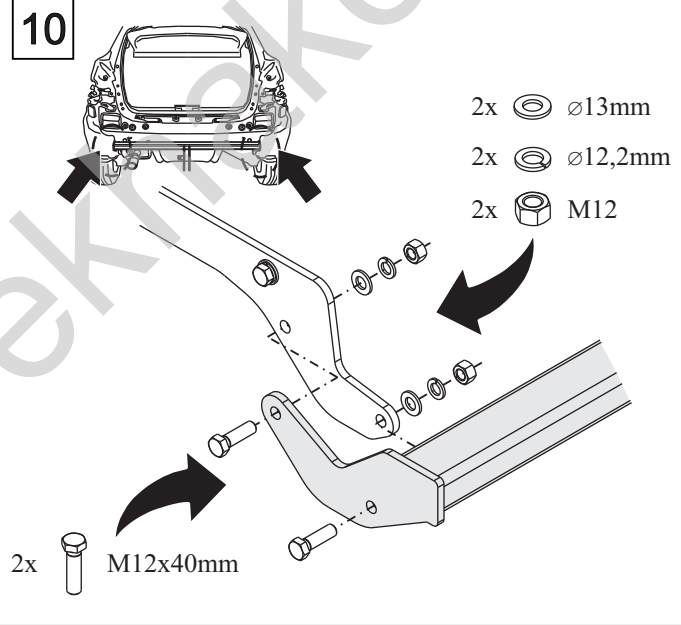
08



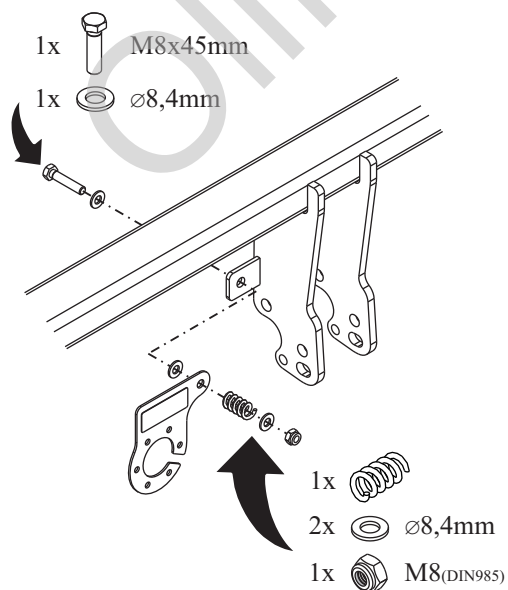
09



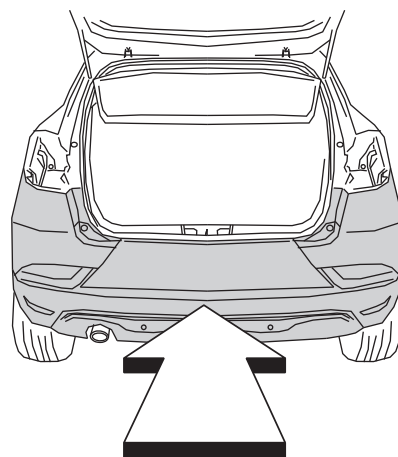
10



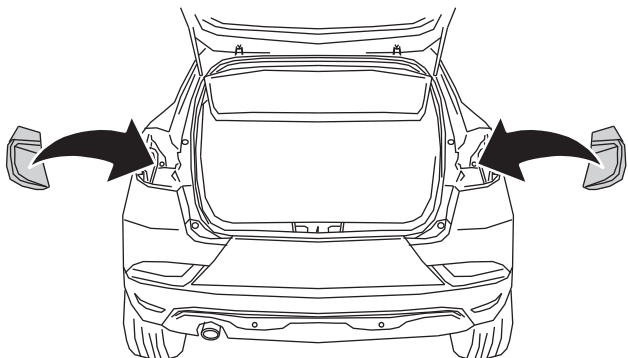
11



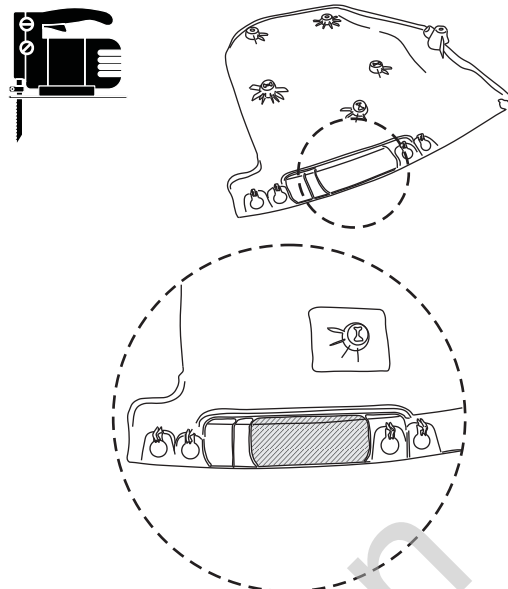
12



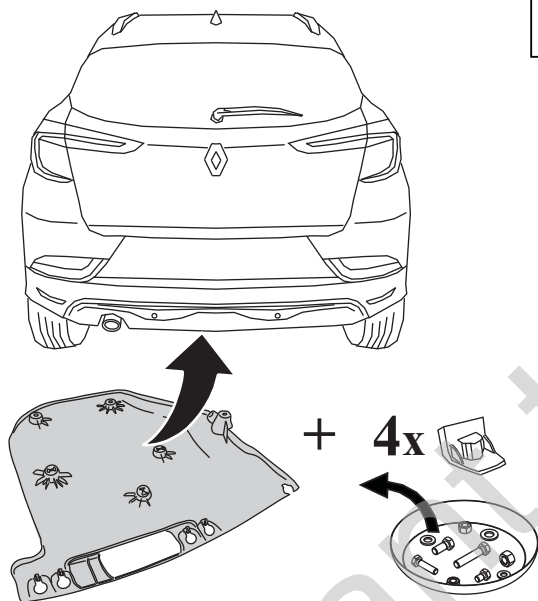
13



14



15



16

