

AUTO-HAK Sp. z o.o.

ul. Słoneczna 16K 76-200 SŁUPSK
POLAND

tel/fax +48 59 8 414 414; +48 59 8 414 413

e-mail: office@autohak.com.pl

www.autohak.com.pl



AUTO-HAK

RENAULT
CLIO V (typ BJA), 3/5 d,
~~Alpine Line~~

Cat. no:

G96A



08.2019 →



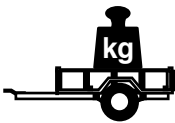
2h



E20-55R-01 5929



6,25 kN

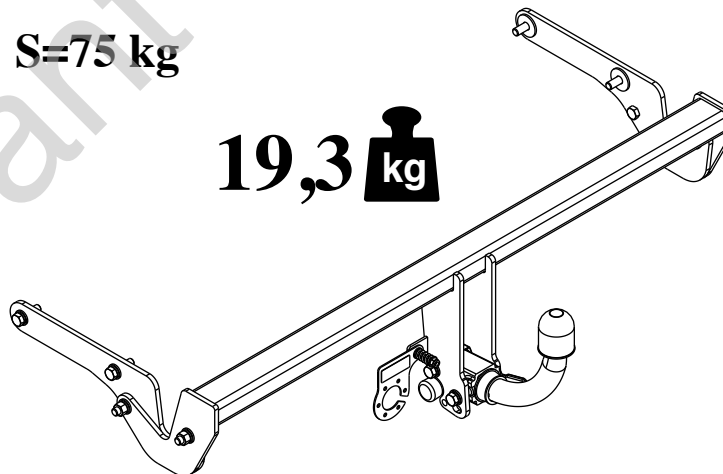


R=1000 kg



S=75 kg

19,3 kg



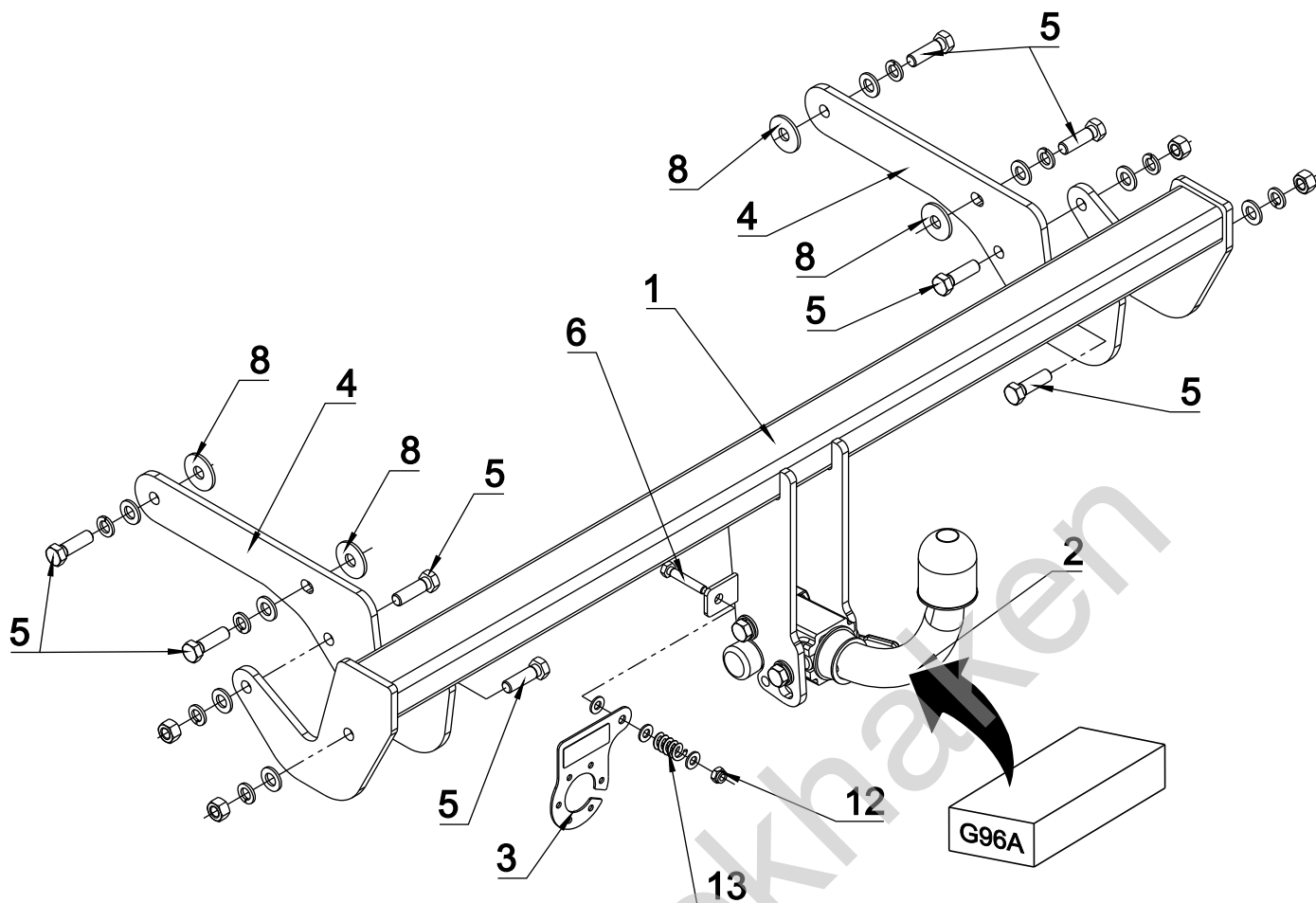
śruba	Nm	M6	M8	M10	M12	M14	M16
klasa 8.8		9,9	24	48	83	132	200
klasa 10.9		14	34	67	117	185	285

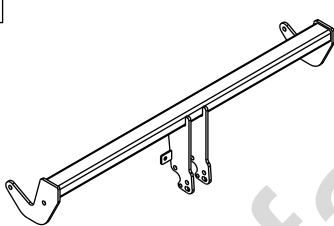

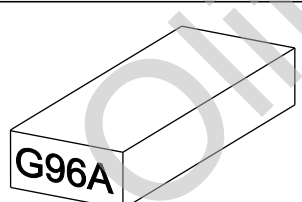

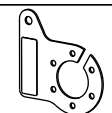

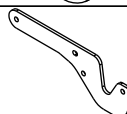
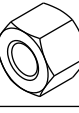
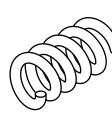


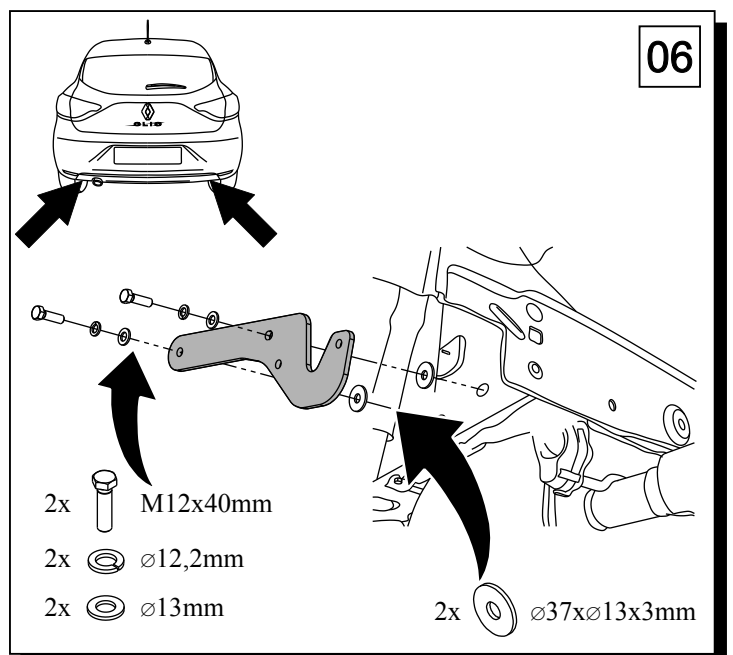
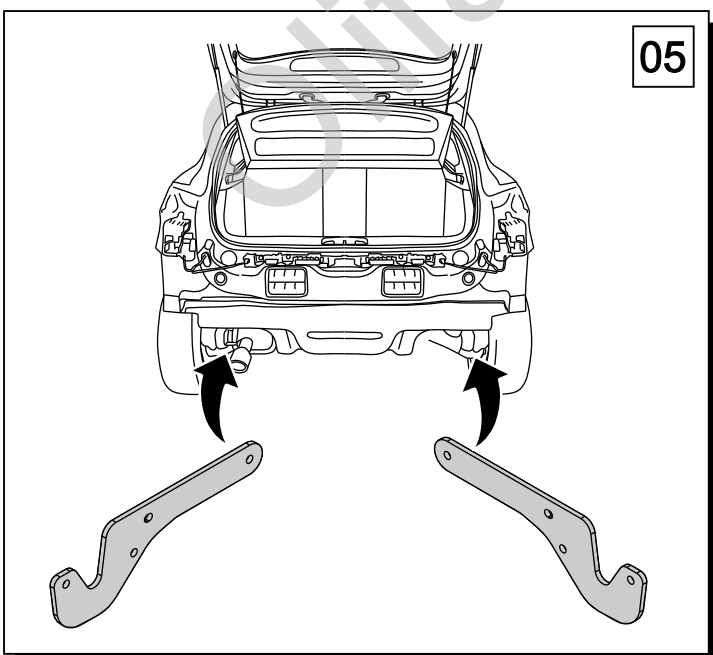
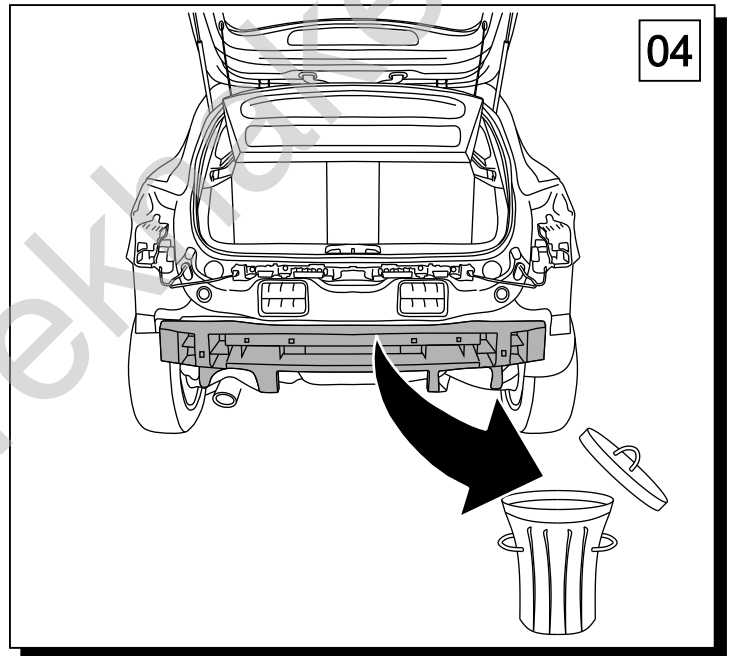
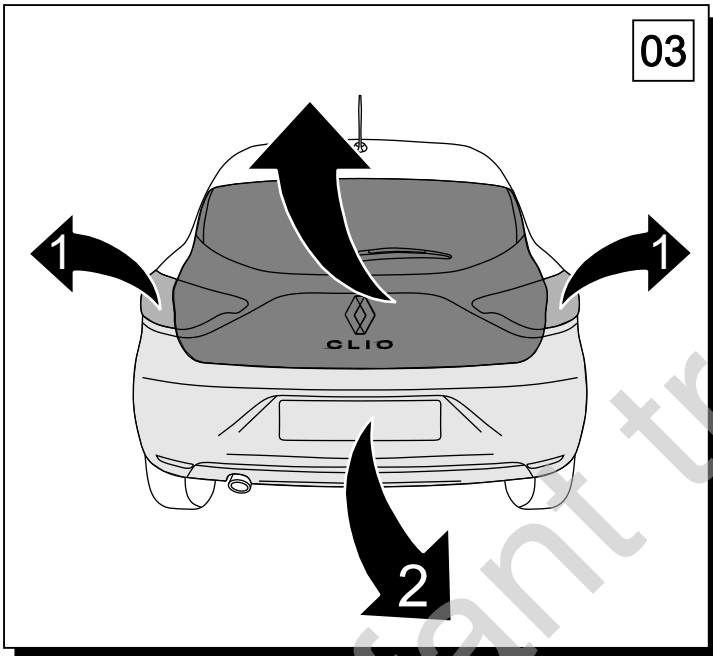
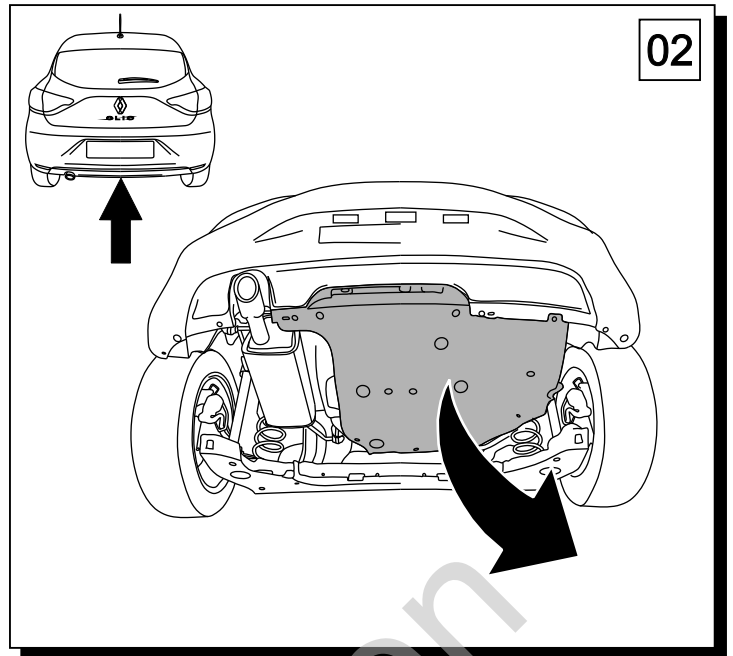
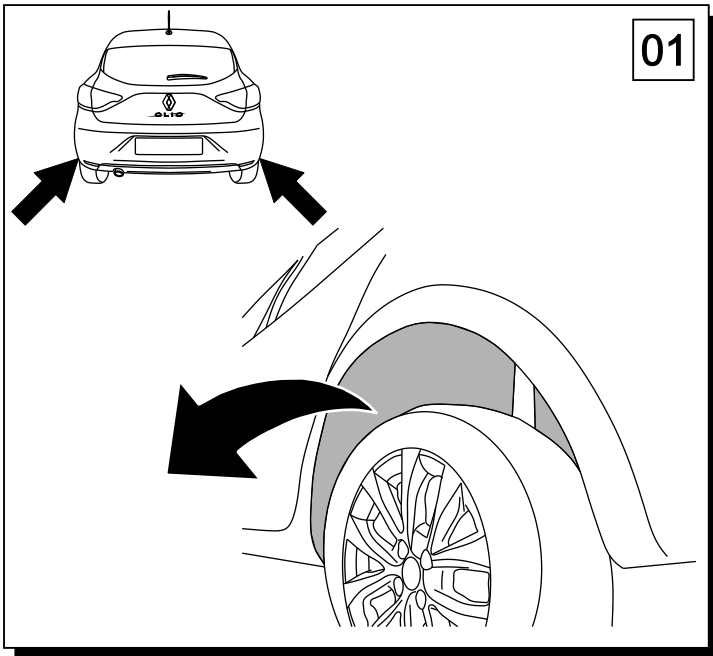
0 km →

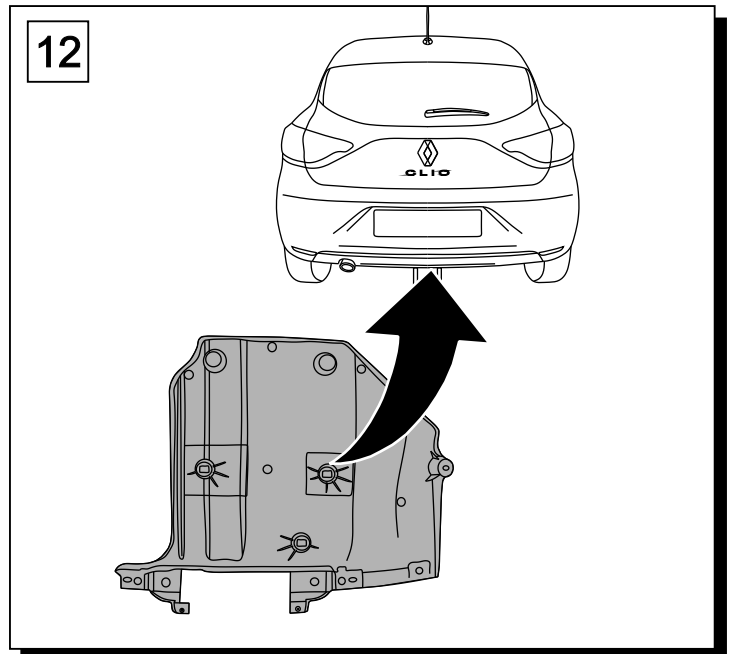
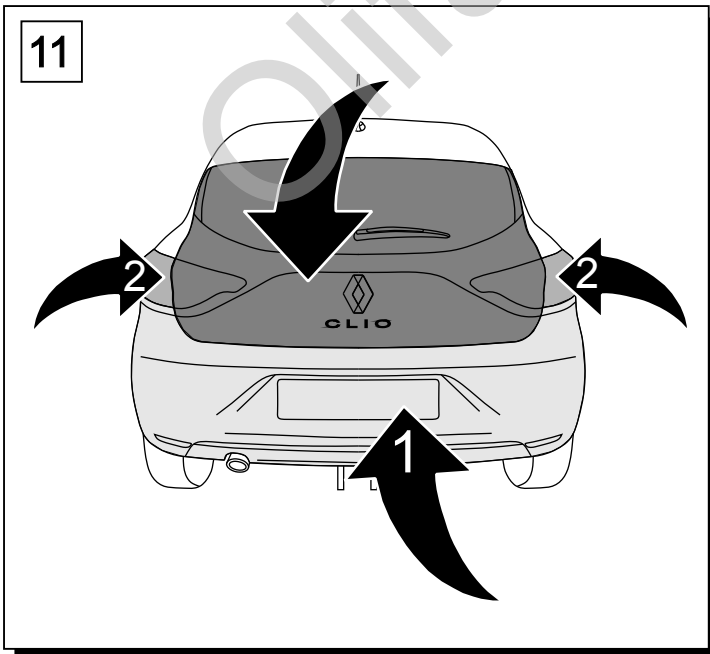
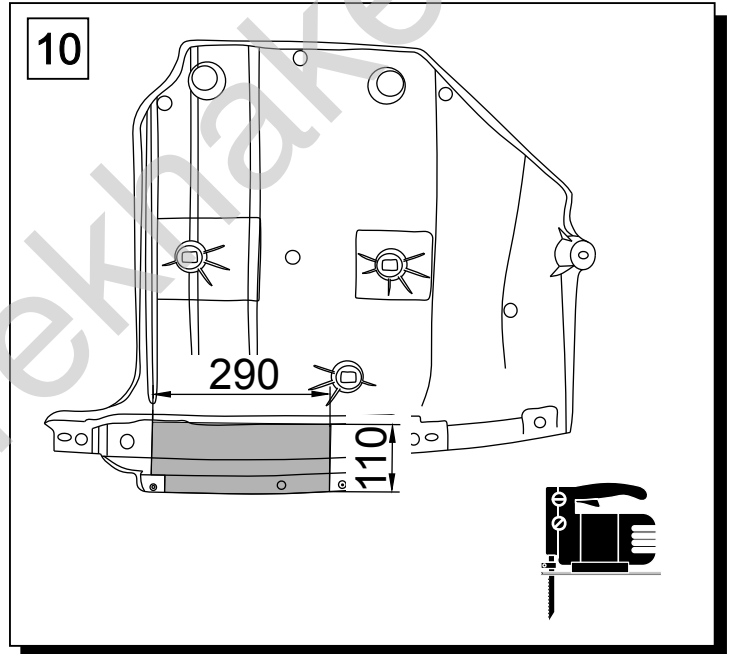
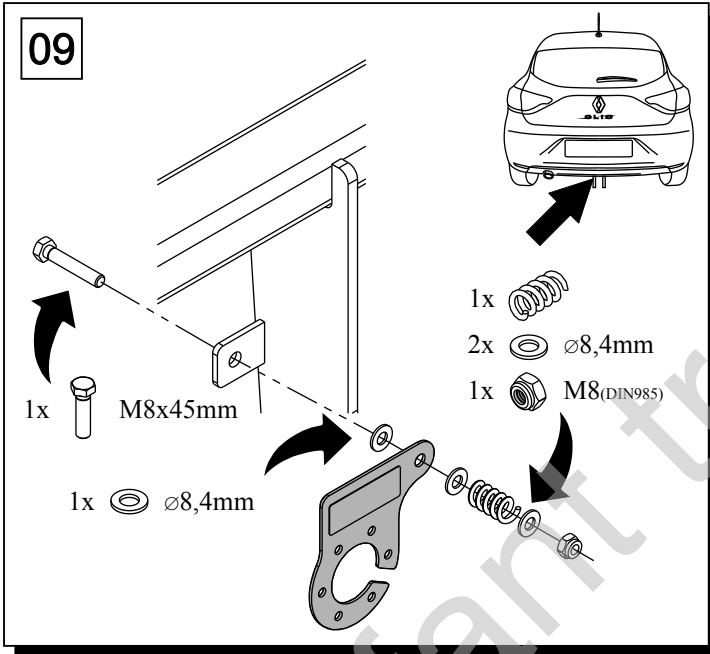
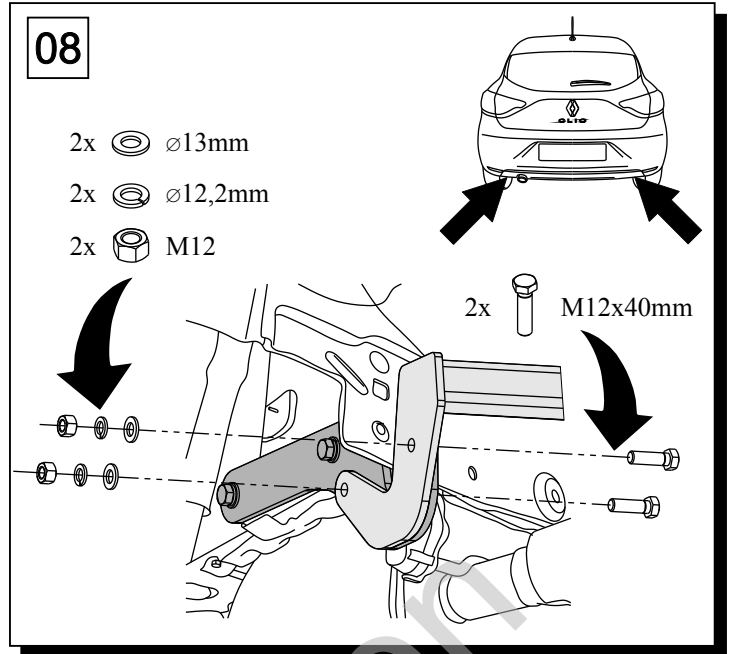
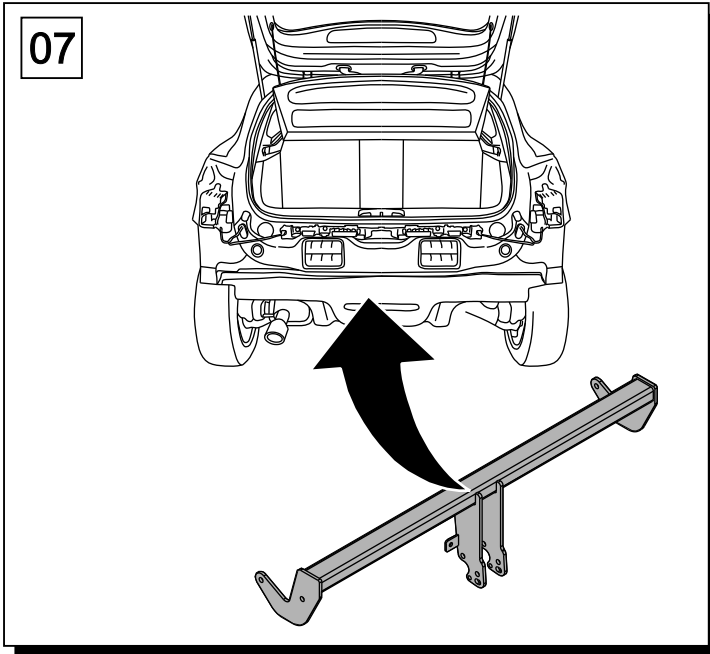


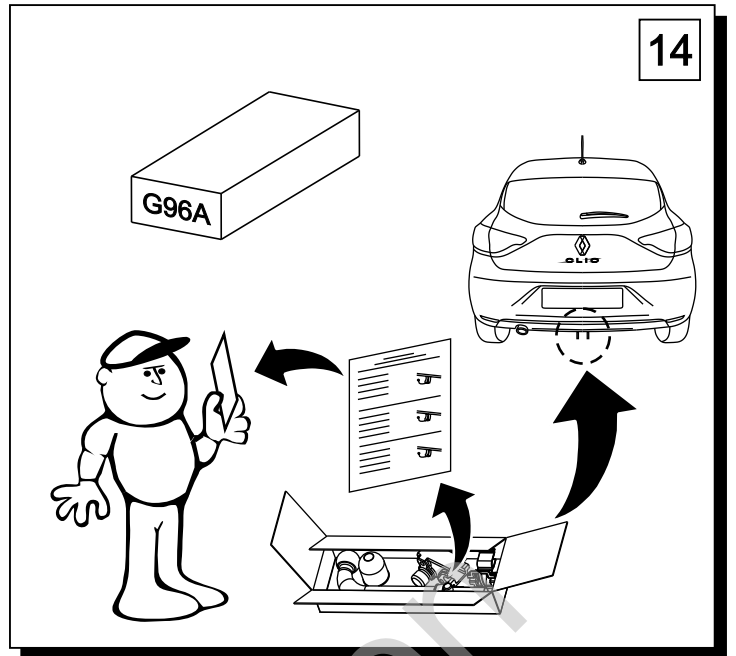
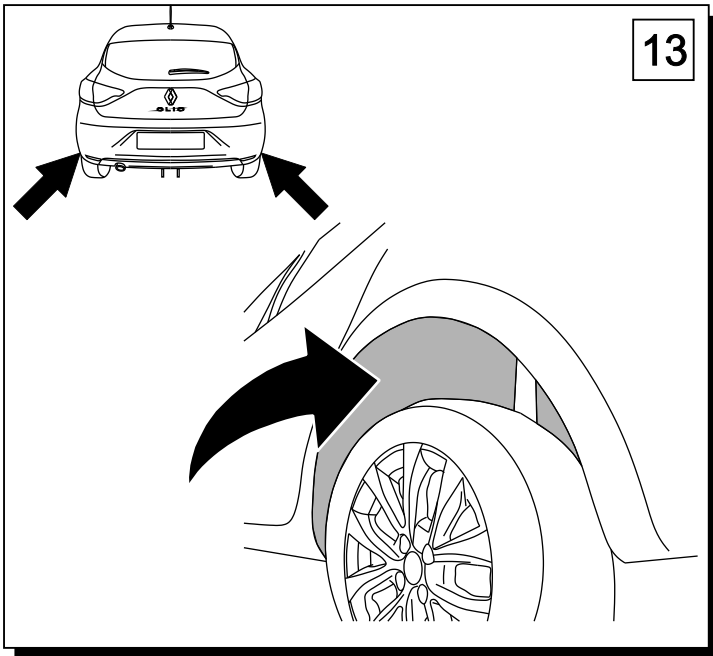
1000 km



1		x1		5	M12x40	x8
				6	M8x45	x1
2		x1		7	∅ 13	x8
				8	∅ 37x∅13x3 13 DIN 9021	x4
3		x1		9	∅ 8.4	x3
				10	∅ 12.2	x8
4		x2		11	M12	x4
				12	M8 (DIN985)	x1
			13		x1	







Olifant trekhaker