

PPUH AUTO-HAK Sp.J.

Henryk i Zbigniew Nejman
ul. Słoneczna 16K 76-200 SŁUPSK
POLAND

tel/fax +48 59 8 414 414; +48 59 8 414 413

e-mail: office@autohak.com.pl

www.autohak.com.pl



AUTO-HAK

DACIA DUSTER III

SUV, 2WD, 4WD, AdBlue

Cat. no:

G95A



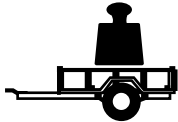
2017 →



E20-55R-01 5391



8,5 kN



R=1500 kg



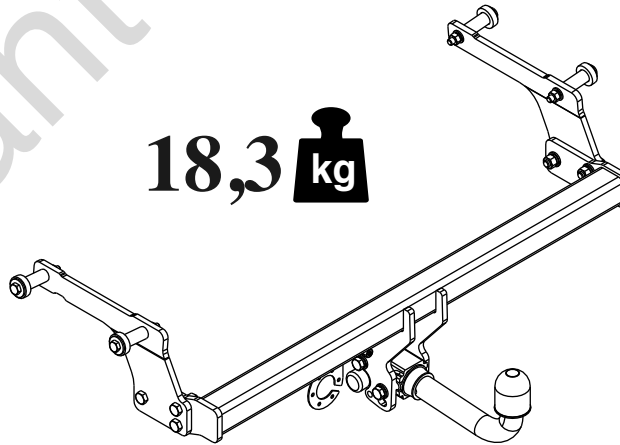
S=75 kg



2h



18,3 kg



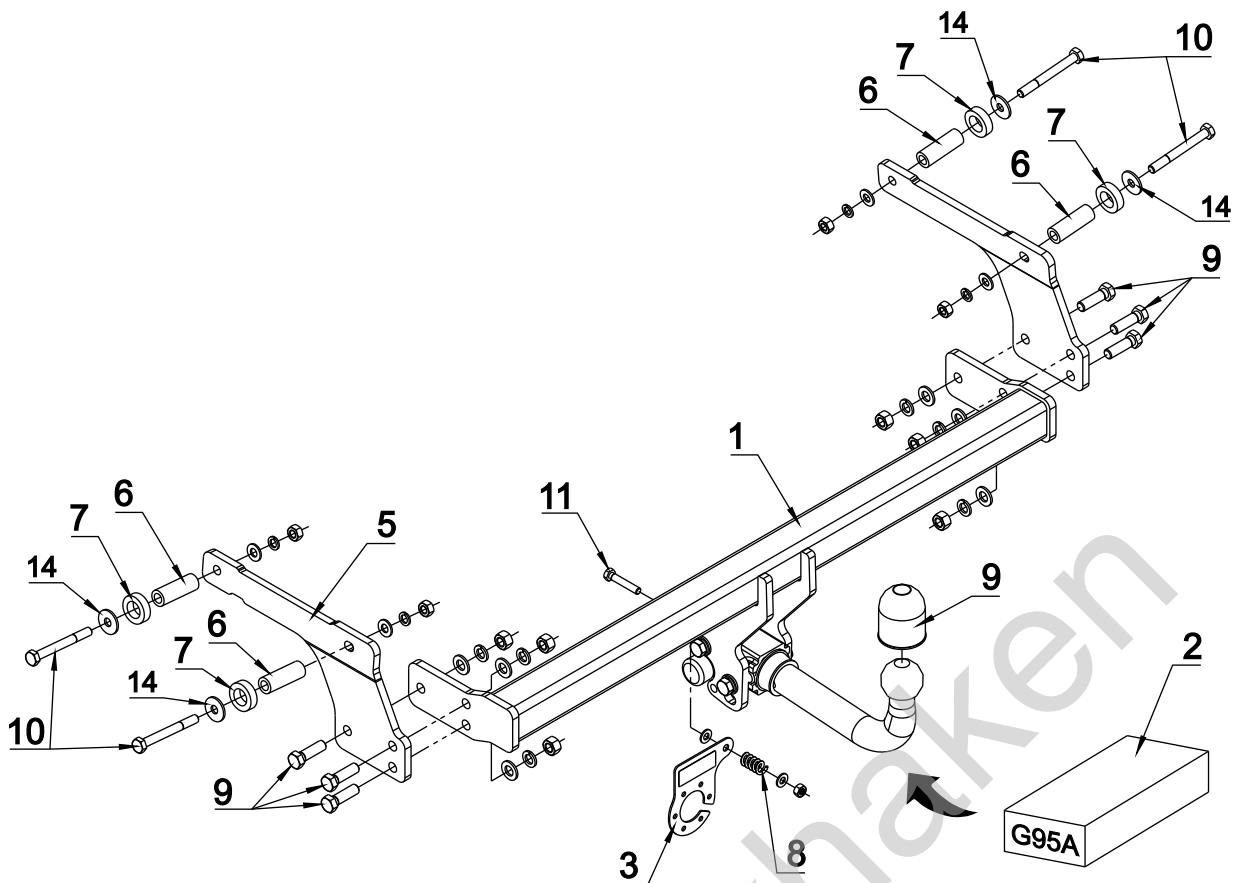
śruba	Nm	M6	M8	M10	M12	M14	M16
klasa 8.8		9,9	24	48	83	132	200
klasa 10.9		14	34	67	117	185	285

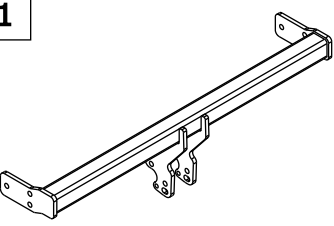




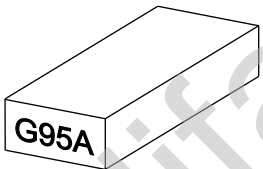







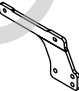

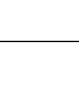
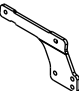
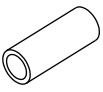

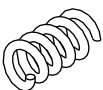


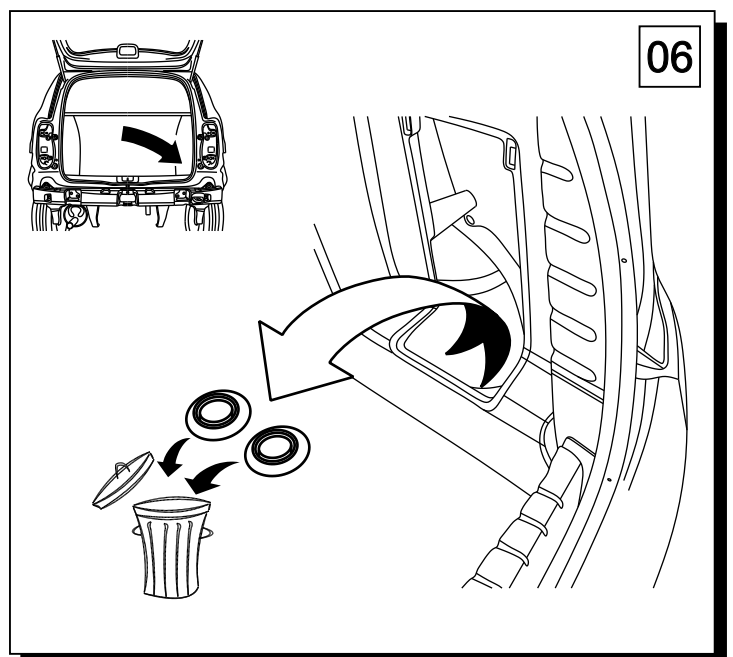
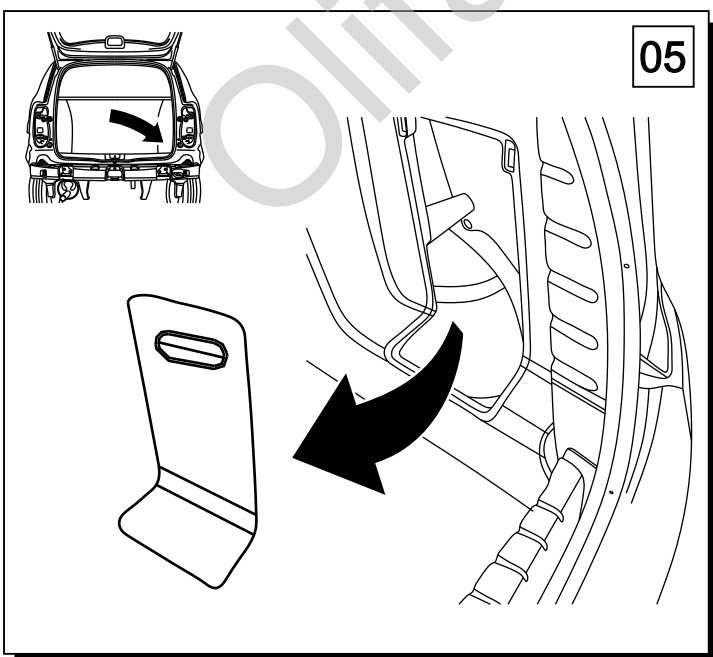
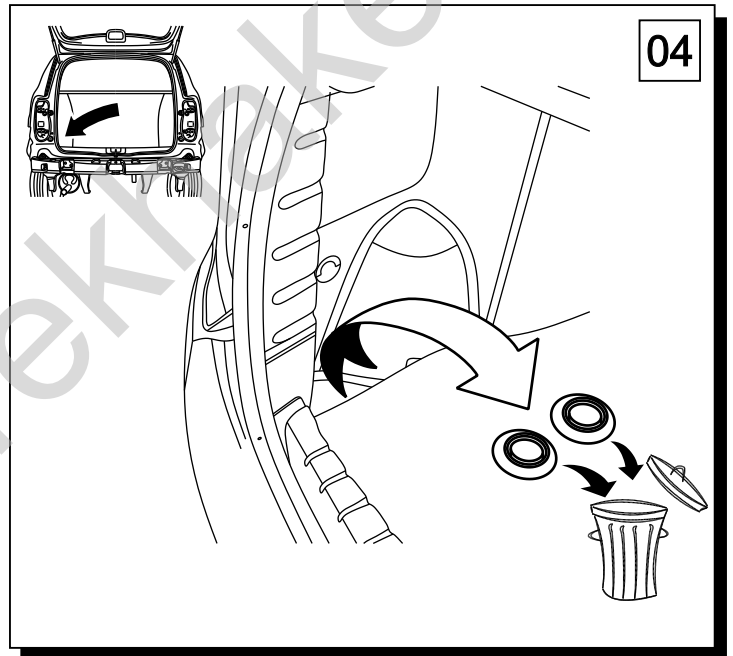
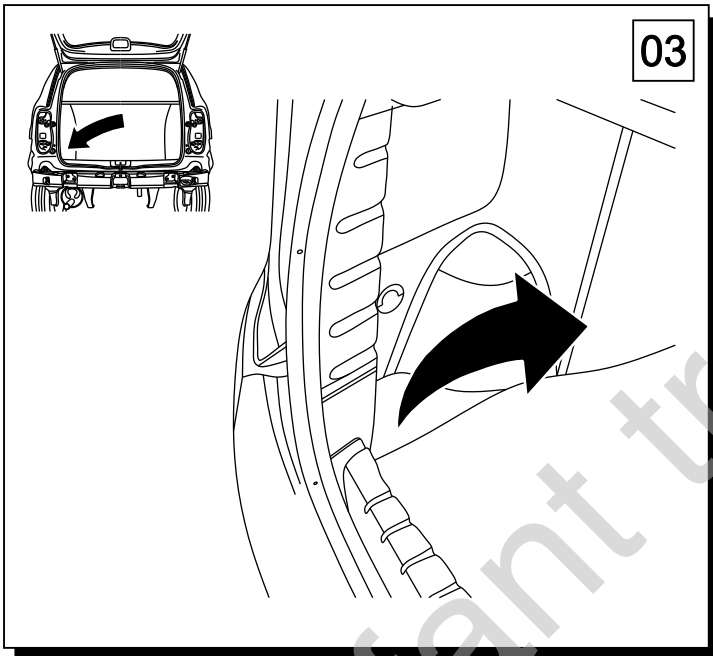
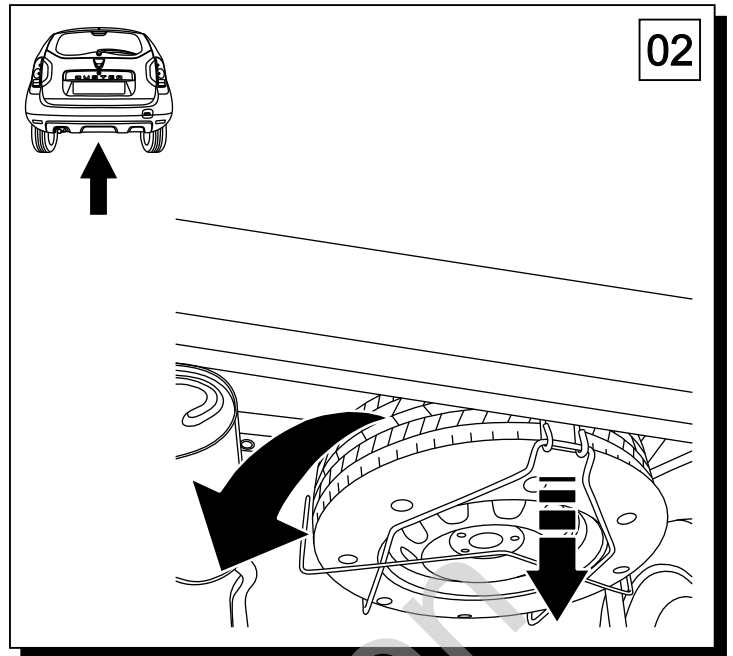
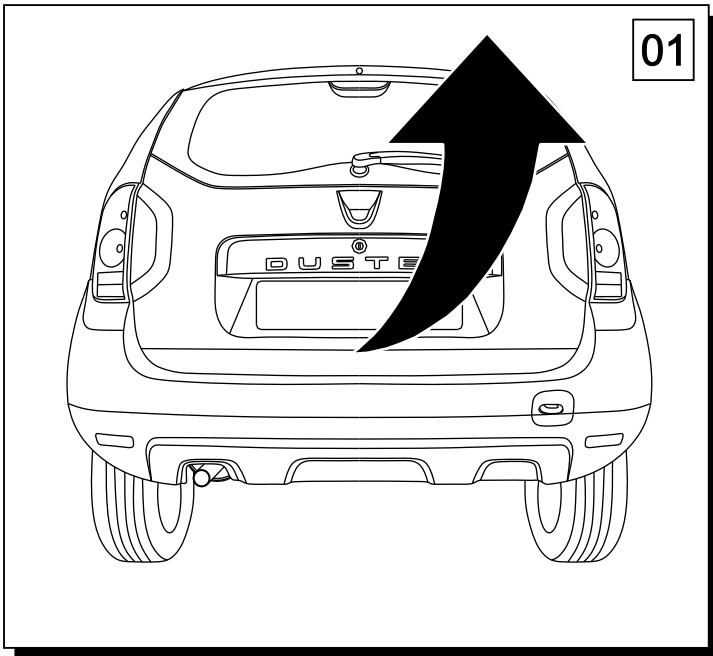
0 km →

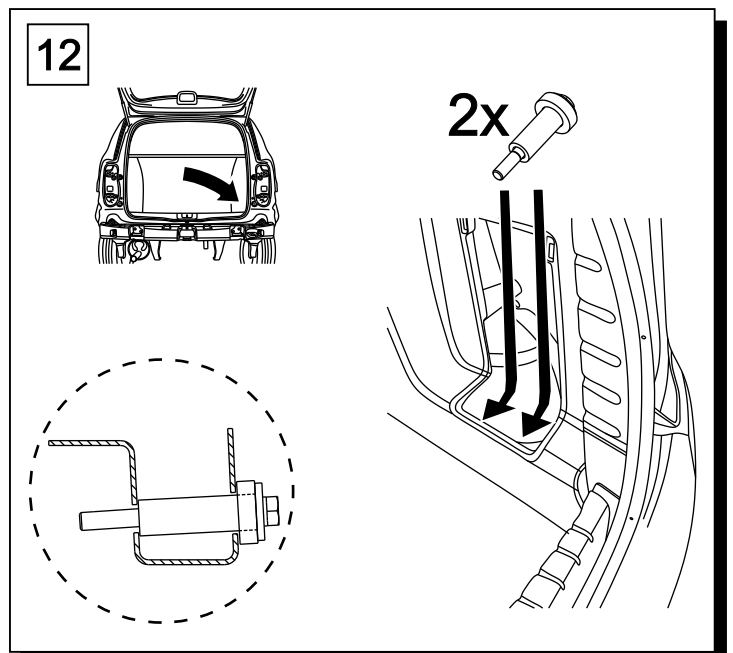
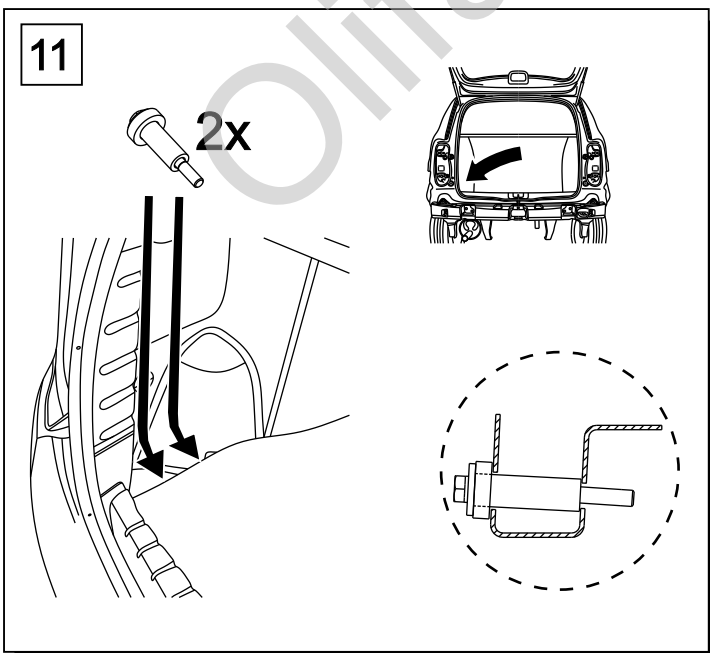
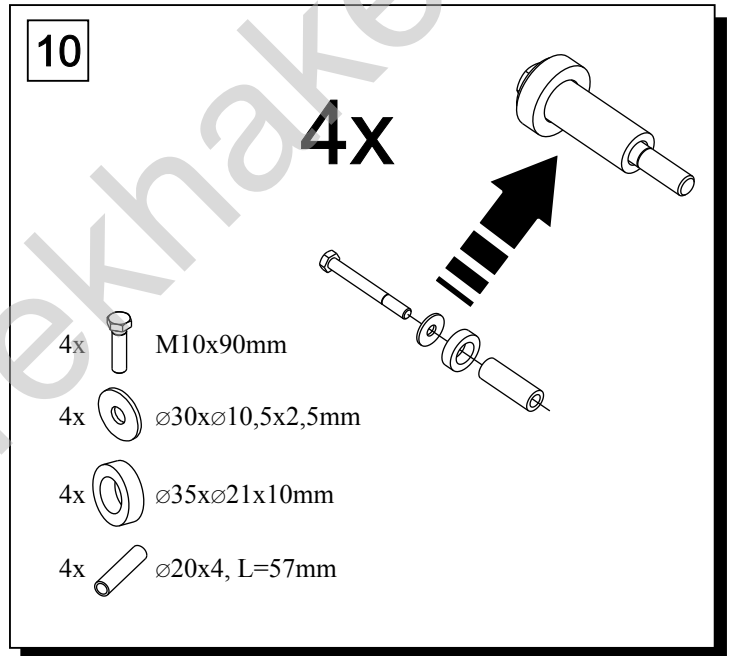
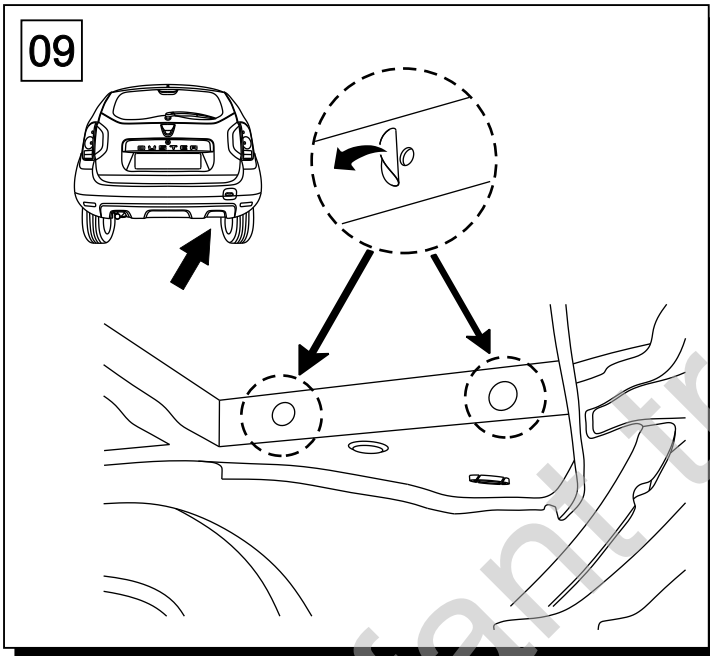
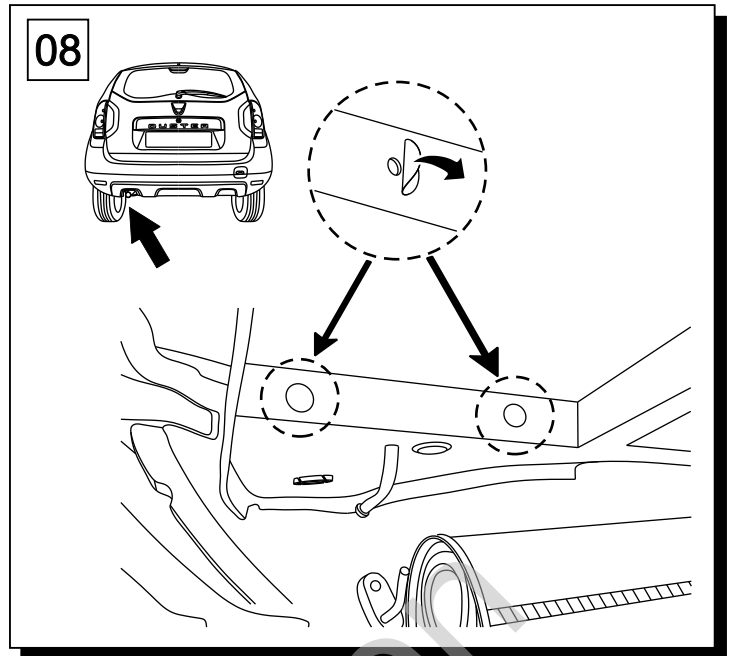
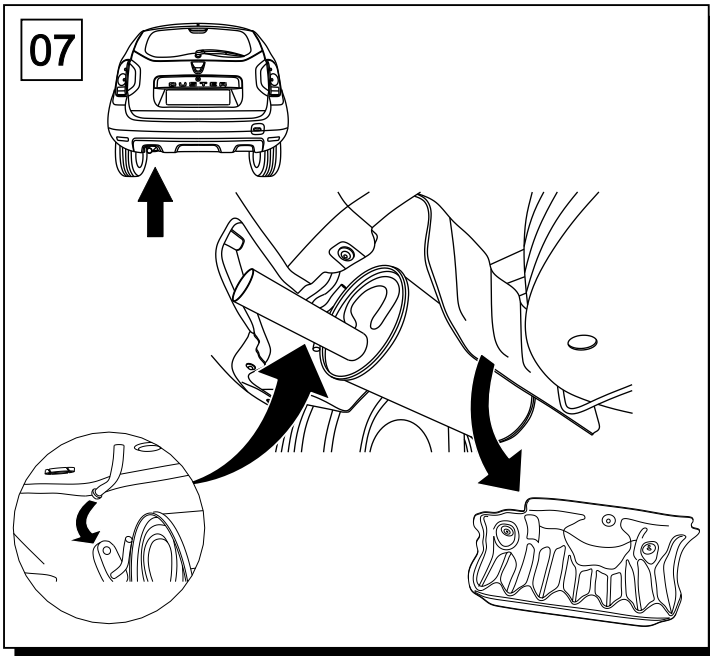


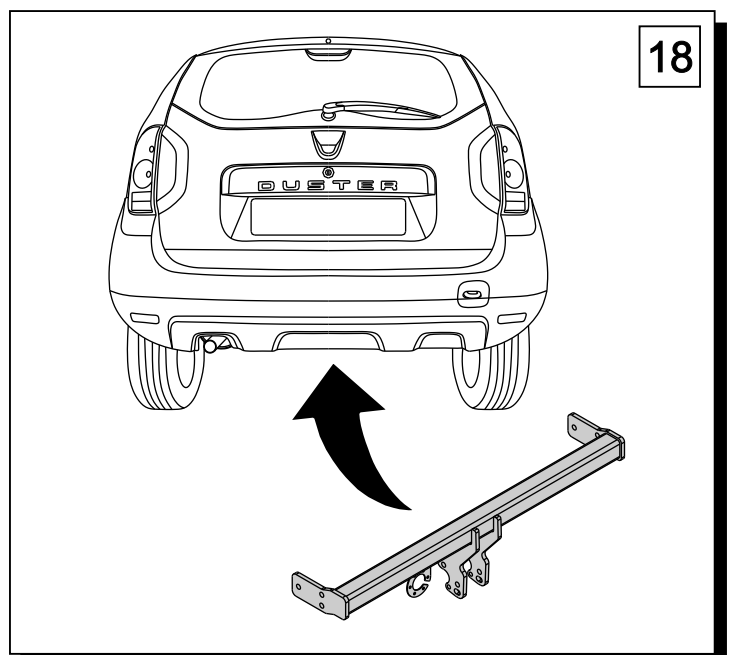
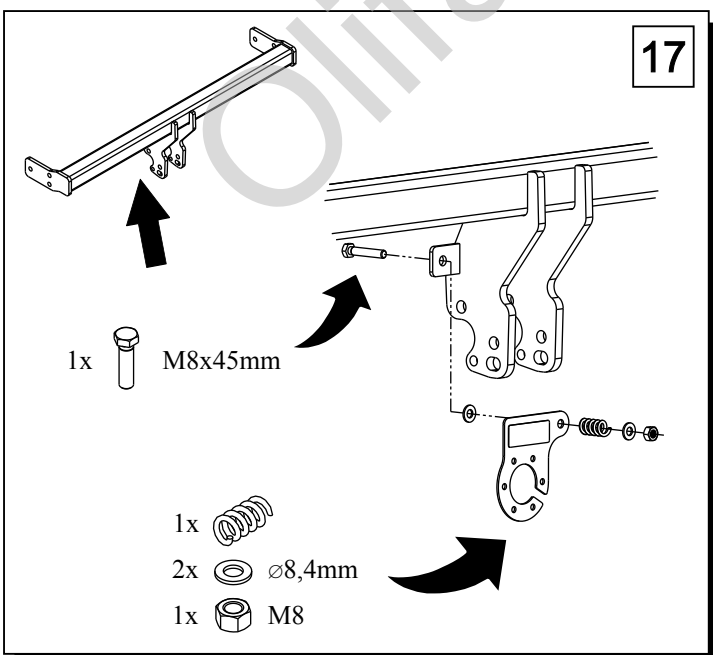
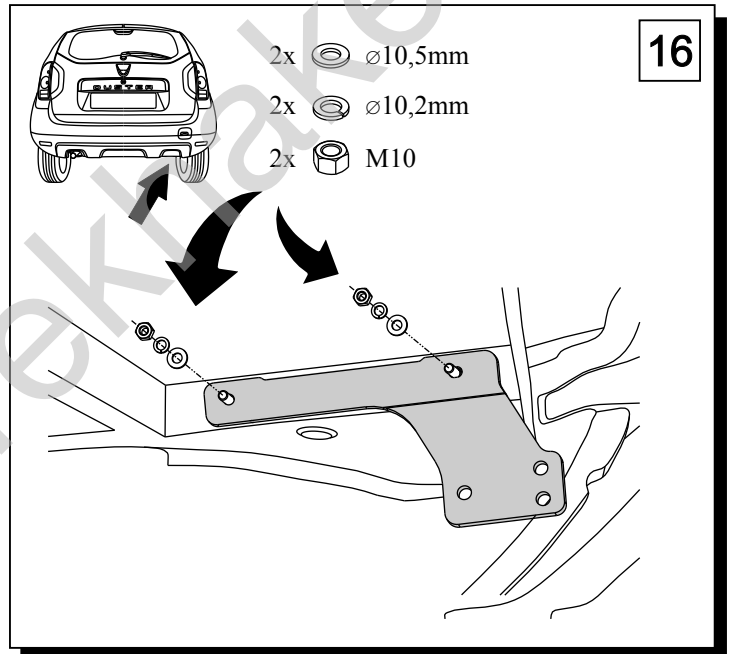
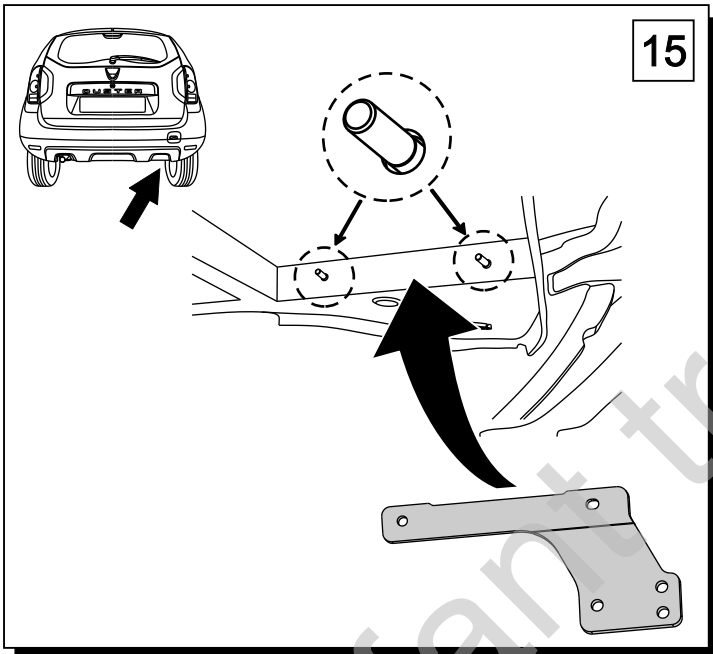
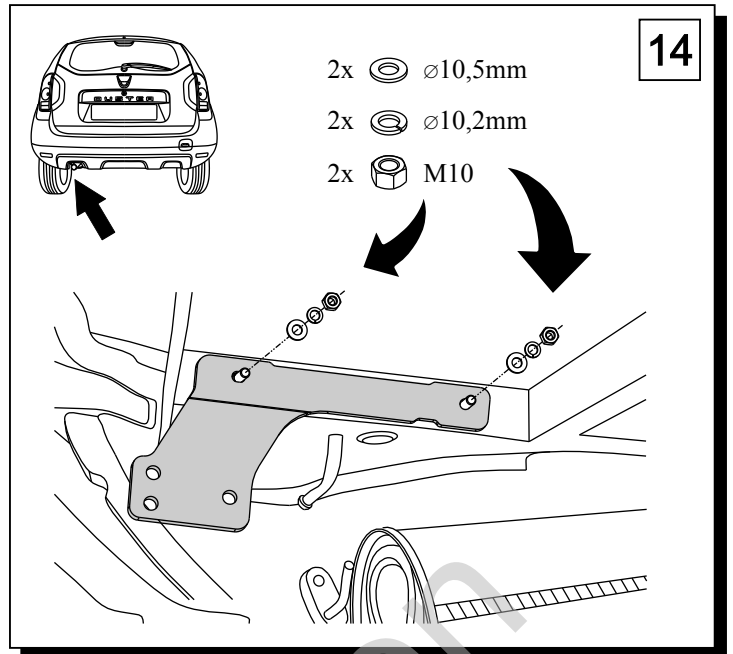
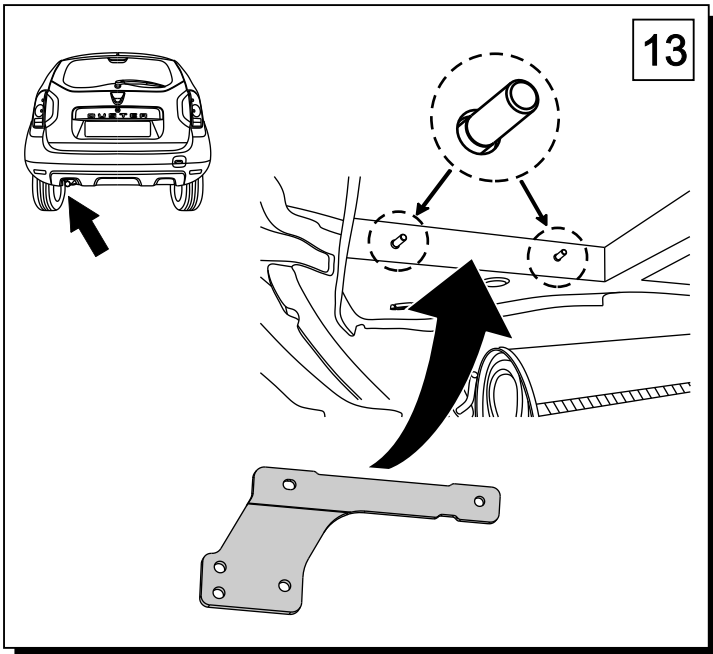
1000 km



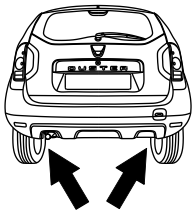
	x 1		9 M12x40	x 6	
				10 M10x90	x 4
				11 M8x45	x 1
				12 \varnothing 13	x 6
	x 1		13 \varnothing 10.5	x 4	
				14 \varnothing 30x \varnothing 10.5x2.5	4
				15 \varnothing 8.4	x 2
				16 \varnothing 12.2	x 6
	x 1		17 \varnothing 10.2	x 4	
				18 M12	x 6
	x 1		19 M10	x 4	
				20 M8	x 1
	x 1				
	x 4				
	x 4				
	x 1				







19

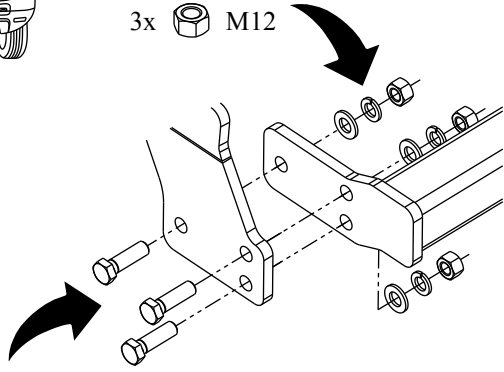


3x $\varnothing 13\text{mm}$

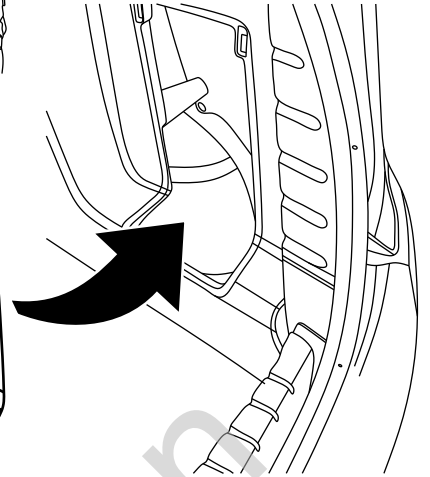
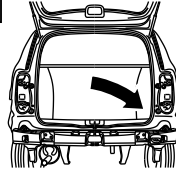
3x $\varnothing 12,2\text{mm}$

3x M12

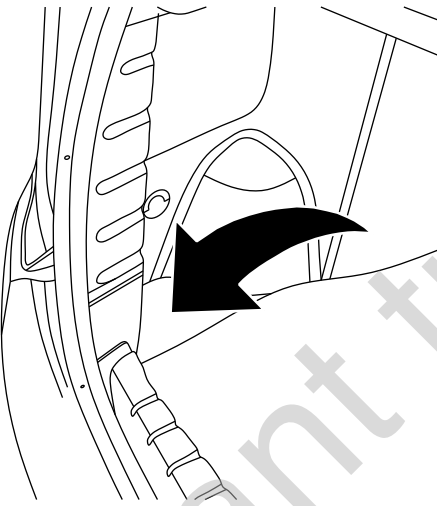
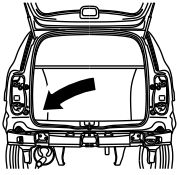
3x M12x40mm



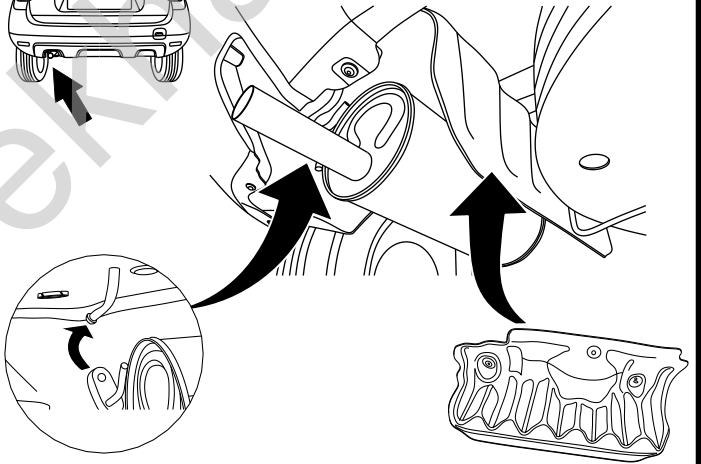
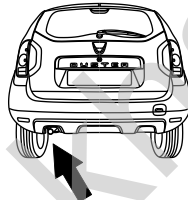
20



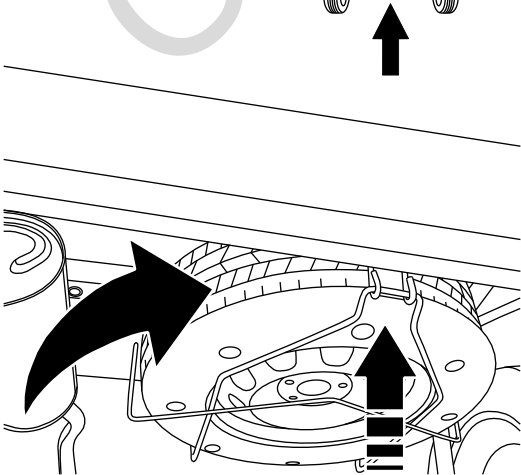
21



22



23



24

