

PPUH AUTO-HAK Sp.J.

Henryk i Zbigniew Nejman
ul. Słoneczna 16K 76-200 SŁUPSK
POLAND

tel/fax +48 59 8 414 414; +48 59 8 414 413

e-mail: office@autohak.com.pl

www.autohak.com.pl



AUTO-HAK

DACIA DUSTER III

SUV, 2WD, 4WD, AdBlue

Cat. no:

G95



2017 →



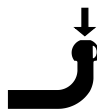
E20-55R-01 5390



8,5 kN



R=1500 kg



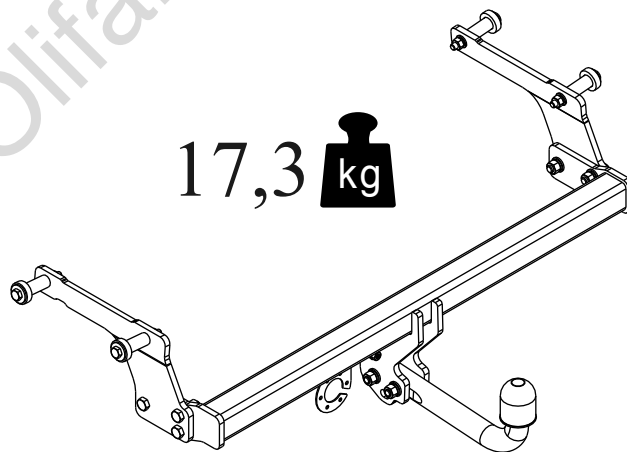
S=75 kg



2h



17,3 kg



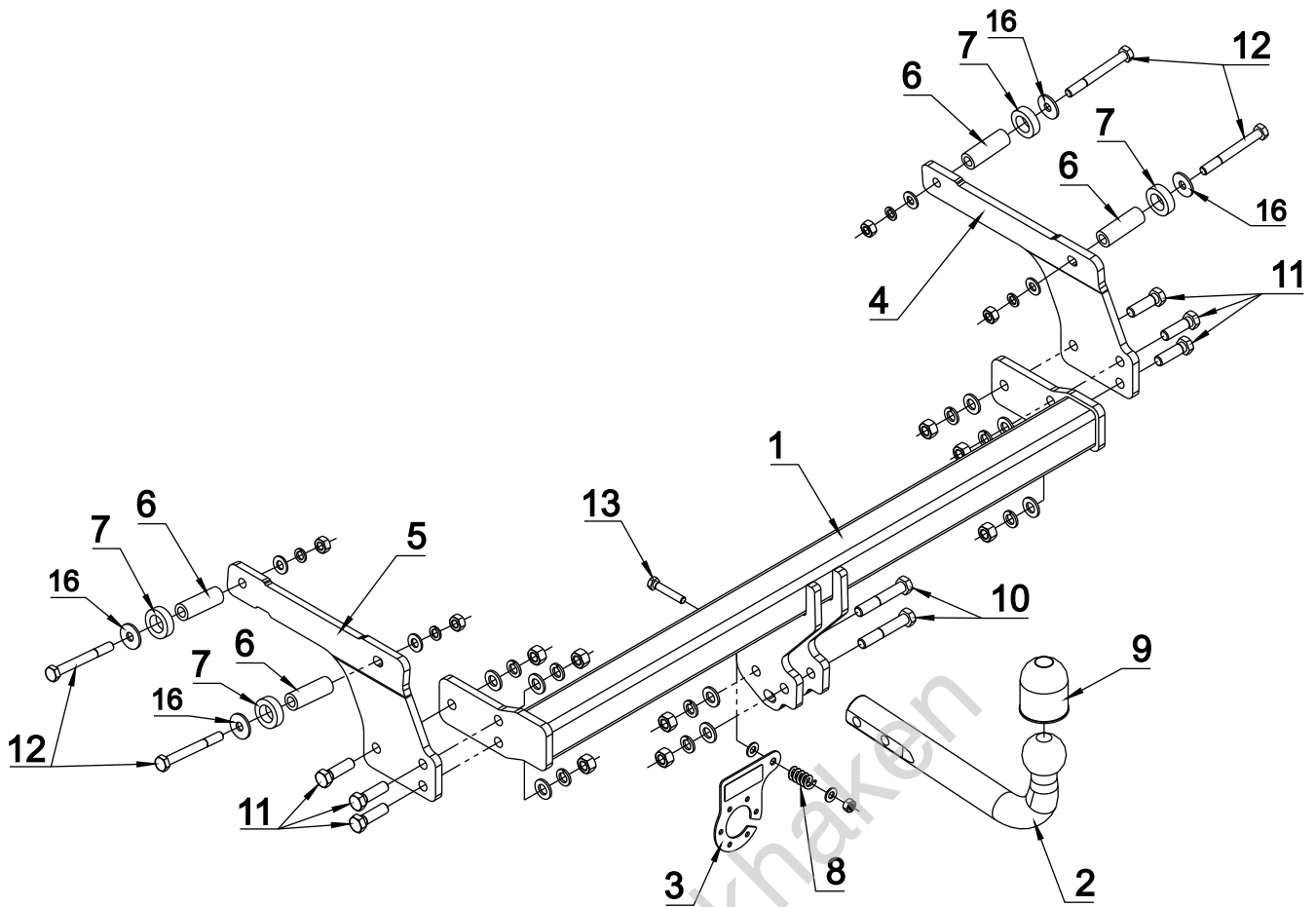
| śruba | Nm | M6 | M8 | M10 | M12 | M14 | M16 |
|------------|----|-----|----|-----|-----|-----|-----|
| klasa 8.8 | | 9,9 | 24 | 48 | 83 | 132 | 200 |
| klasa 10.9 | | 14 | 34 | 67 | 117 | 185 | 285 |

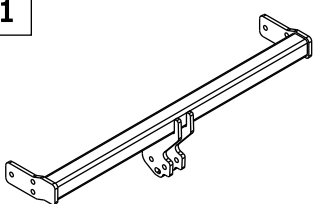
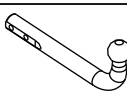




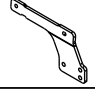
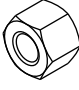
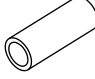

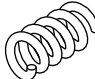



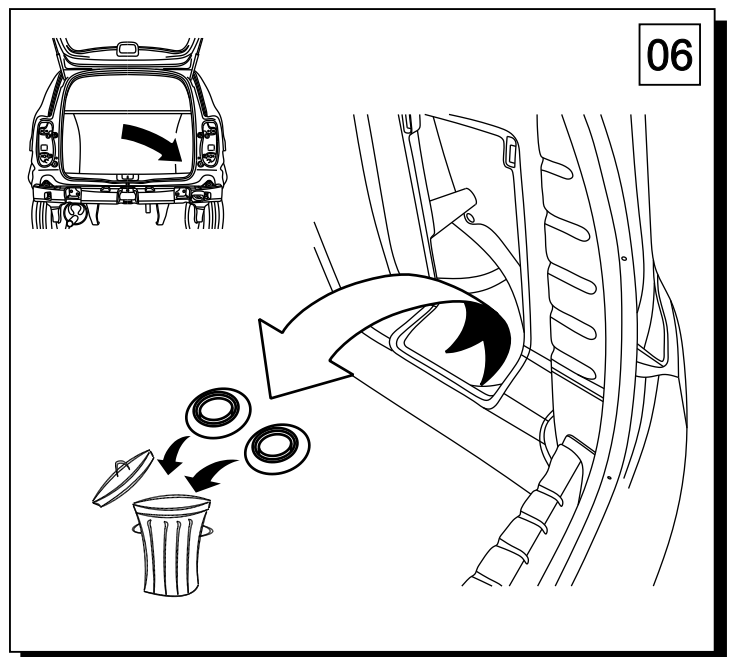
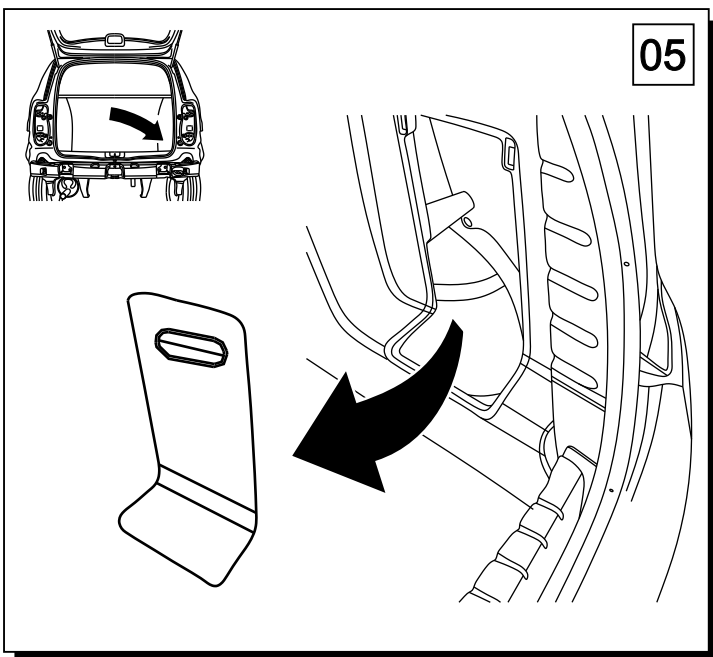
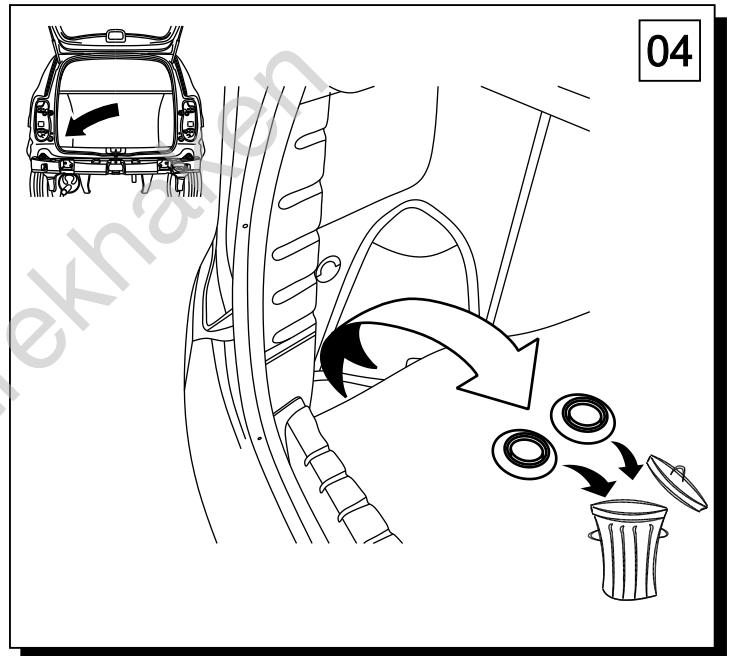
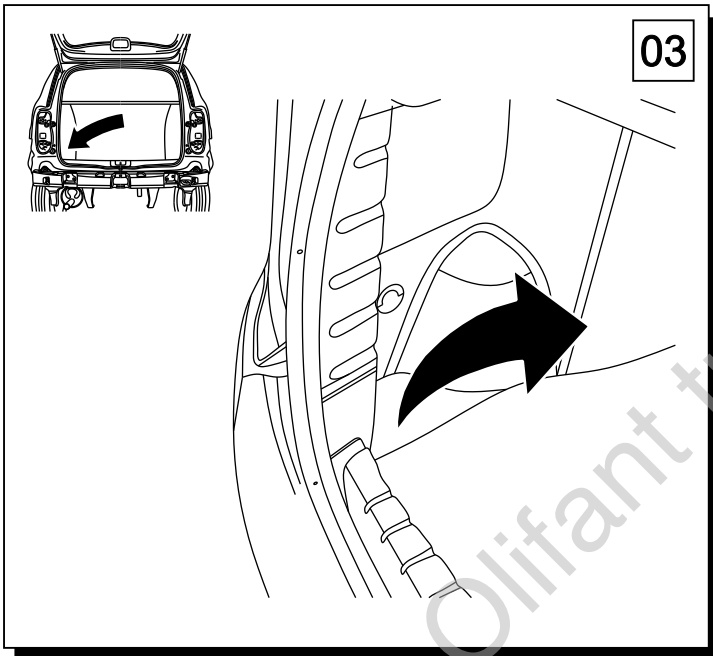
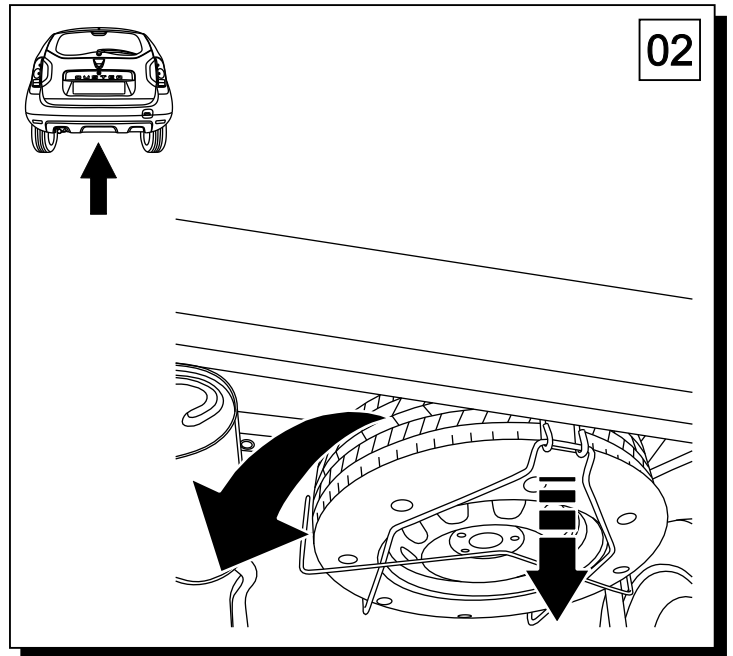
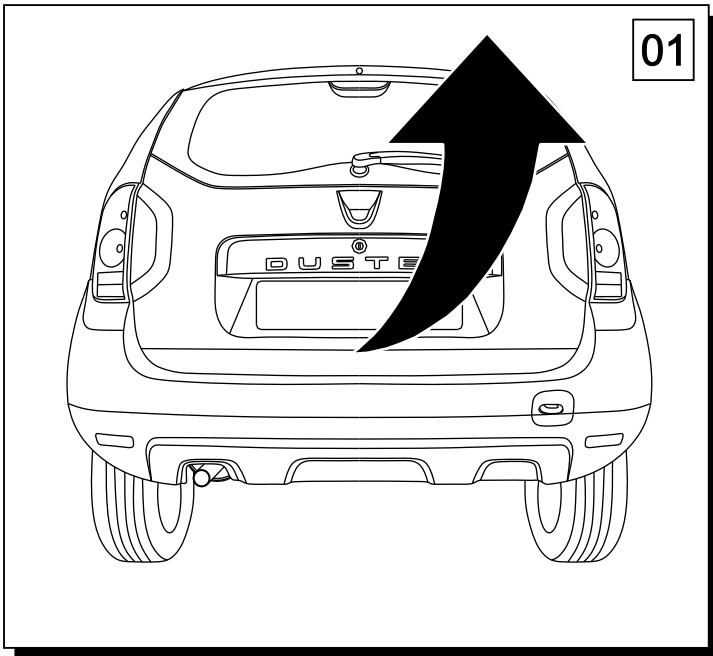
0 km

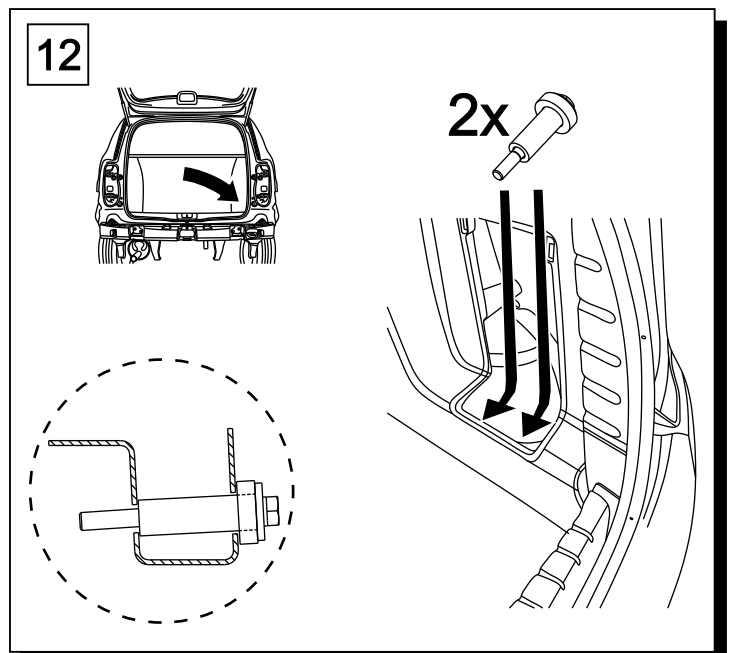
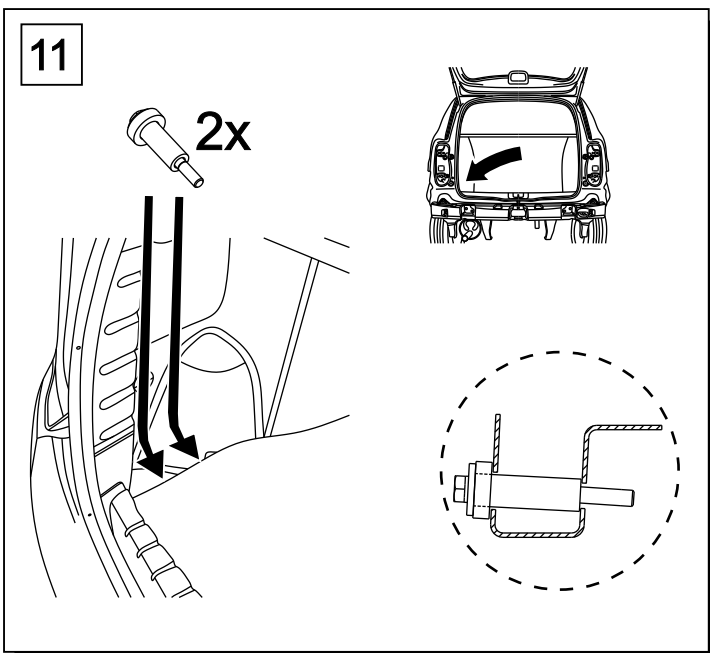
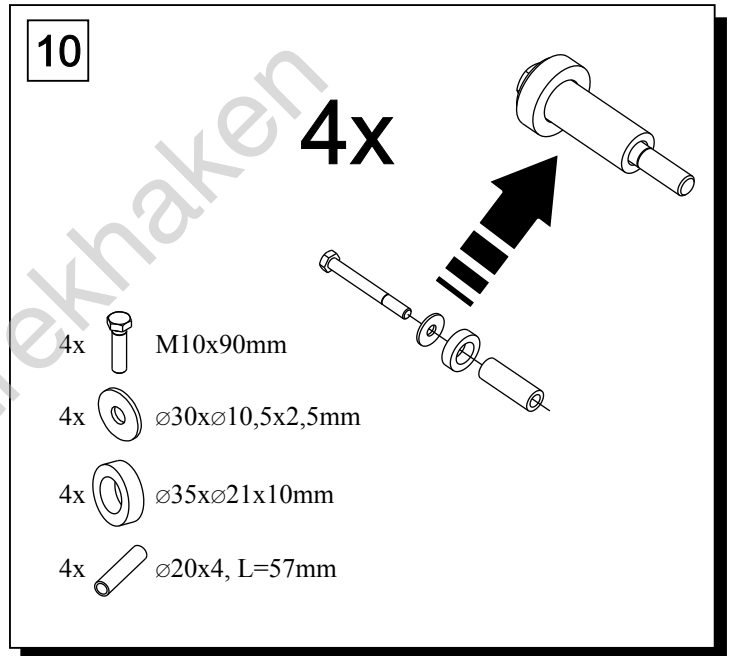
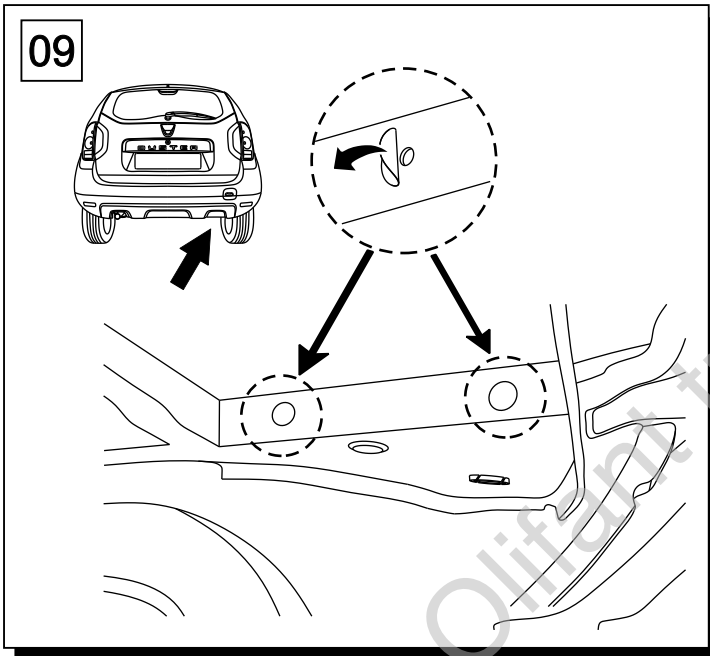
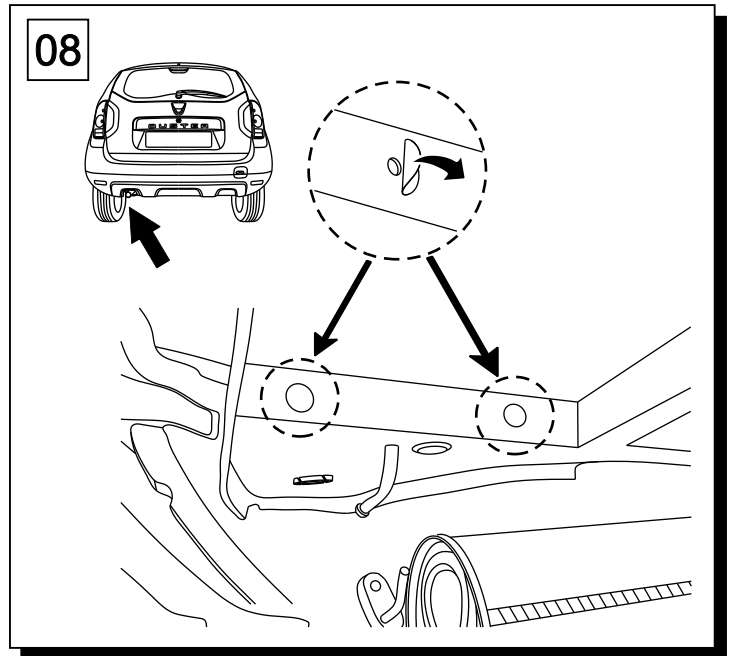
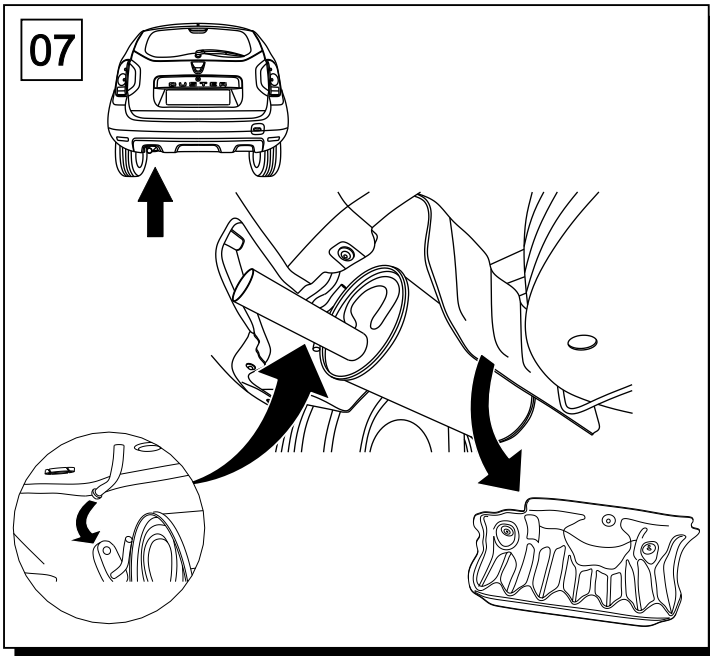


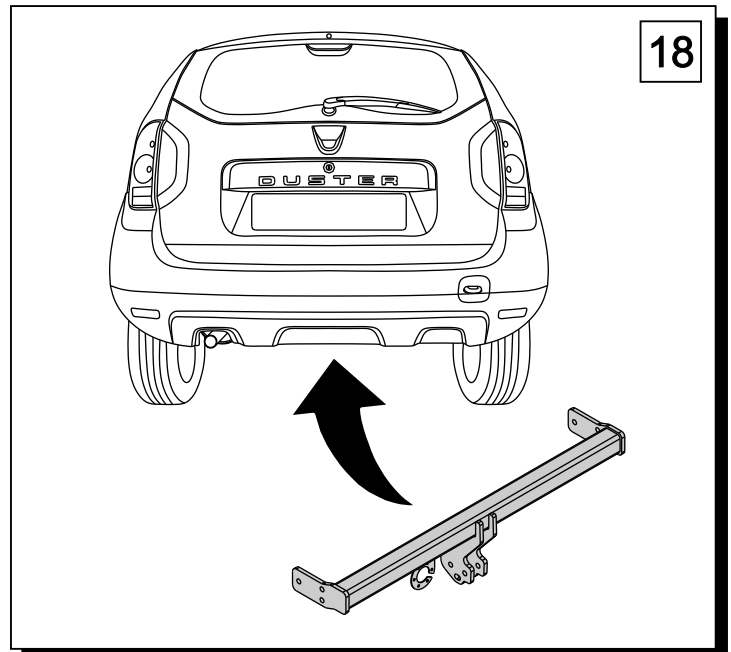
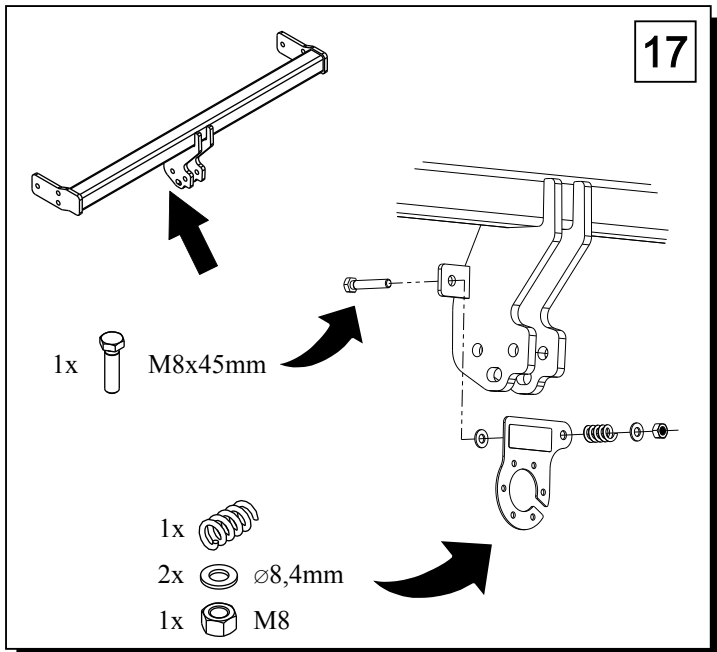
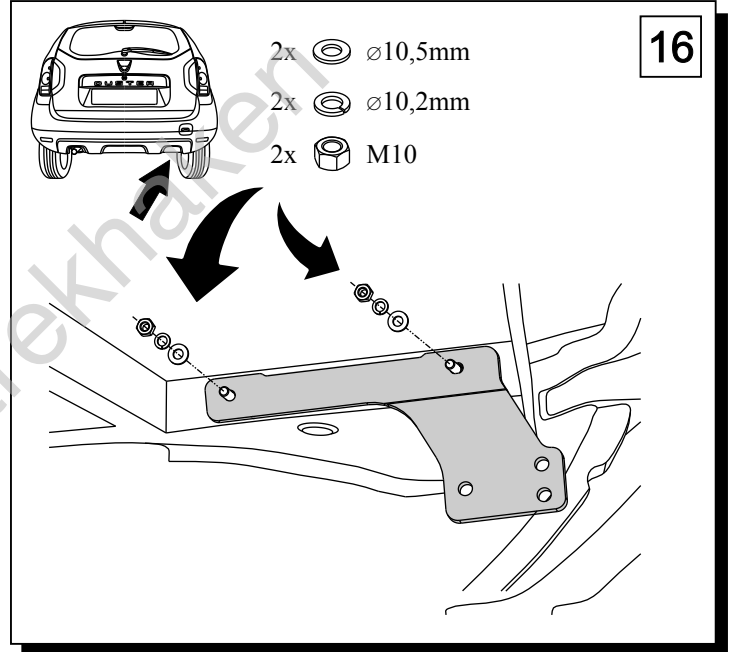
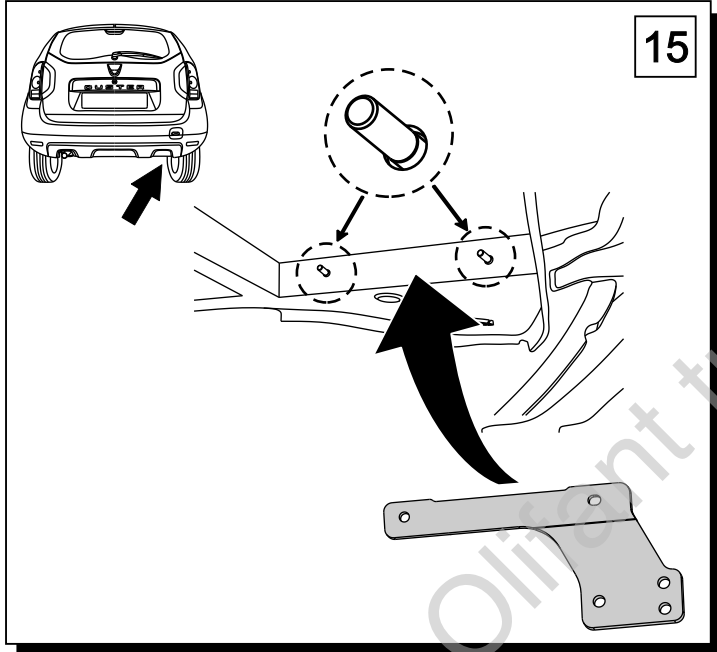
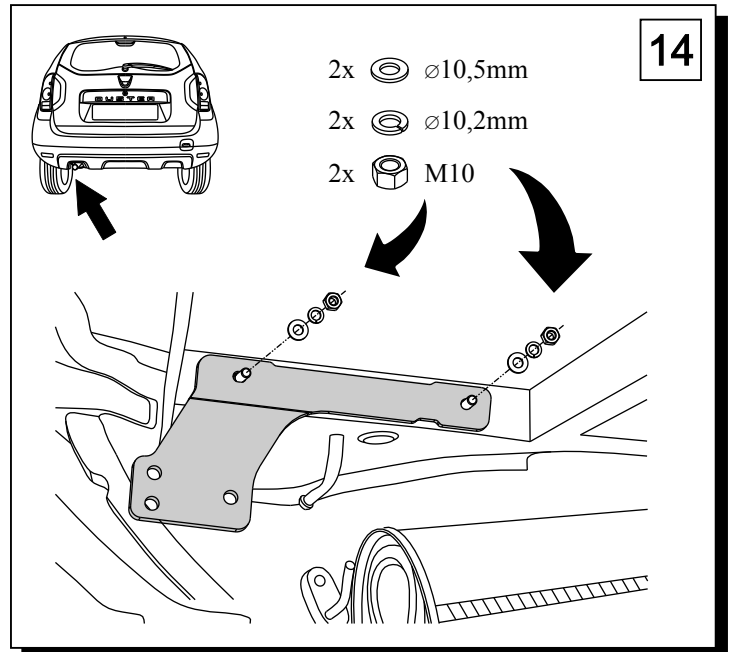
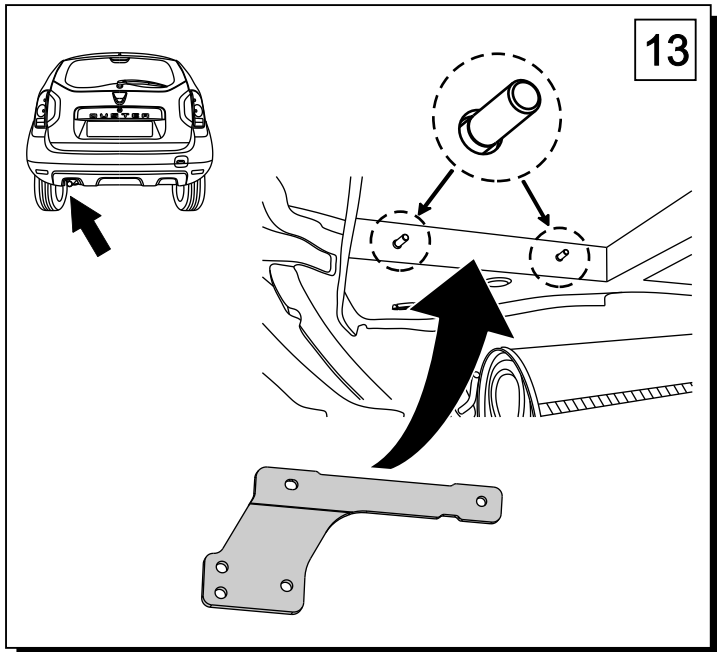
1000 km



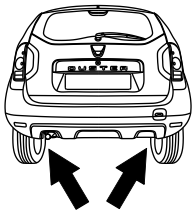
| | | | | | | |
|---|---|-----|---|----|-------------------------------|-----|
| 1 |  | x 1 | | 10 | M 12x70 | x 2 |
| | | | | 11 | M 12x40 | x 6 |
| | | | | 12 | M 10x90 | x 4 |
| | | | | 13 | M 8x45 | x 1 |
| 2 |  | x 1 |  | 14 | ∅ 13 | x 8 |
| | Art.nr-KL1G95 | | | 15 | ∅ 10.5 | x 4 |
| 3 |  | x 1 | | 16 | ∅ 30x∅10.5x2.5 10 DIN 9021 | 4 |
| | Art.nr-BL1G95 | | | 17 | ∅ 8.4 | x 2 |
| 4 |  | x 1 |  | 18 | ∅ 12.2 | x 8 |
| | | | | 19 | ∅ 10.2 | x 4 |
| 5 |  | x 1 |  | 20 | M 12 | x 8 |
| | | | | 21 | M 10 | x 4 |
| 6 |  | x 4 | | 22 | M 8 | x 1 |
| | ∅20x4, L=57mm | | | | | |
| 7 |  | x 4 | | | | |
| | ∅35x∅21x10mm | | | | | |
| 8 |  | x 1 | | | | |
| 9 |  | x 1 | | | | |







19

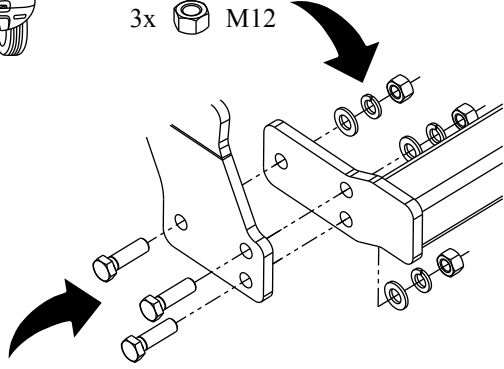


3x $\varnothing 13\text{mm}$

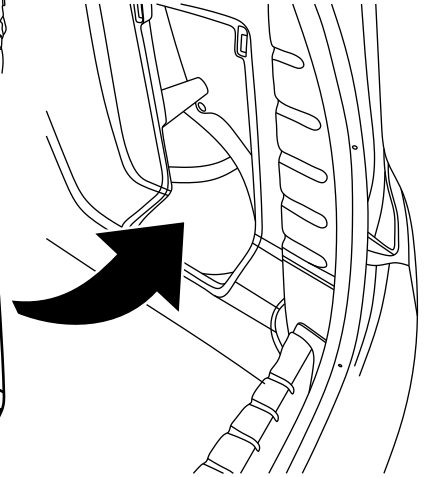
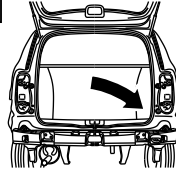
3x $\varnothing 12,2\text{mm}$

3x M12

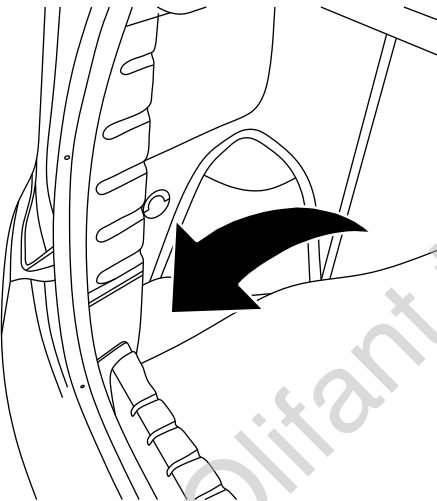
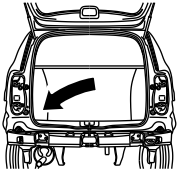
3x M12x40mm



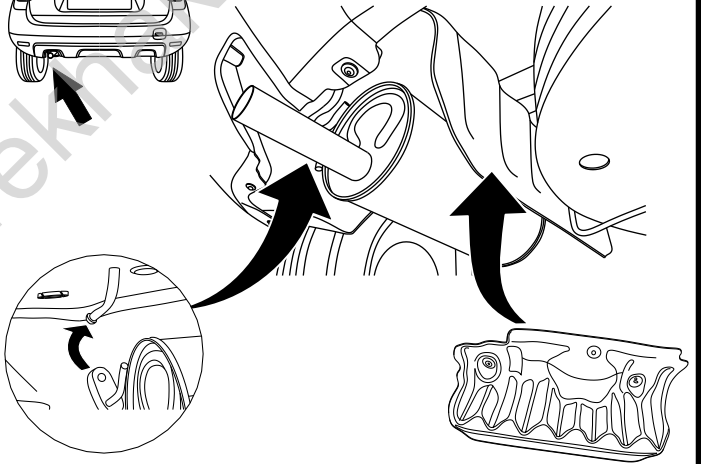
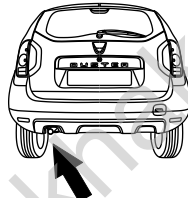
20



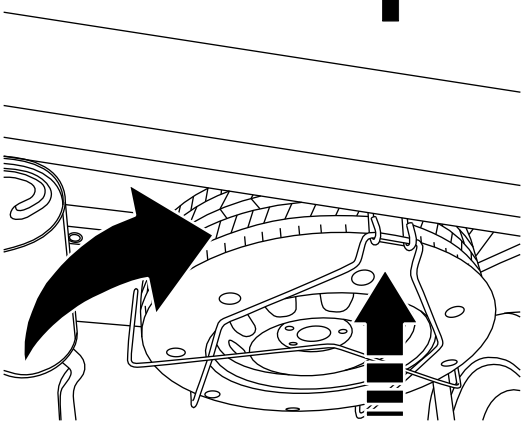
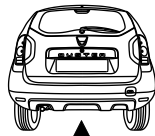
21



22



23



24



2x M12x70mm

2x $\varnothing 13\text{mm}$

2x $\varnothing 12,2\text{mm}$

2x M12

