


**AUTO-HAK Sp. z o.o.**  
 ul. Słoneczna 16K 76-200 SŁUPSK  
 POLAND  
 tel/fax +48 59 8 414 414; +48 59 8 414 413  
 e-mail: [office@autohak.com.pl](mailto:office@autohak.com.pl)  
[www.autohak.com.pl](http://www.autohak.com.pl)




**AUTO-HAK**


**RENAULT**  
**GRAND SCENIC IV (5D, VAN)**


Cat. no:  
**G92A**

 **09.2016 → 04.2018**  
**05.2018 →**

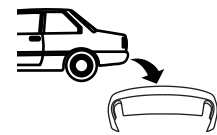
 **E20-55R-01 5586**

**D** 10,13 kN

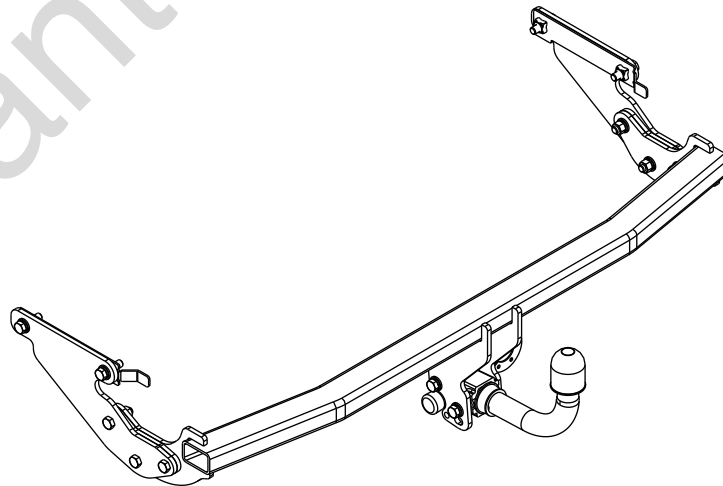
 **R=1850 kg**


 **S=80 kg**

 **2h**

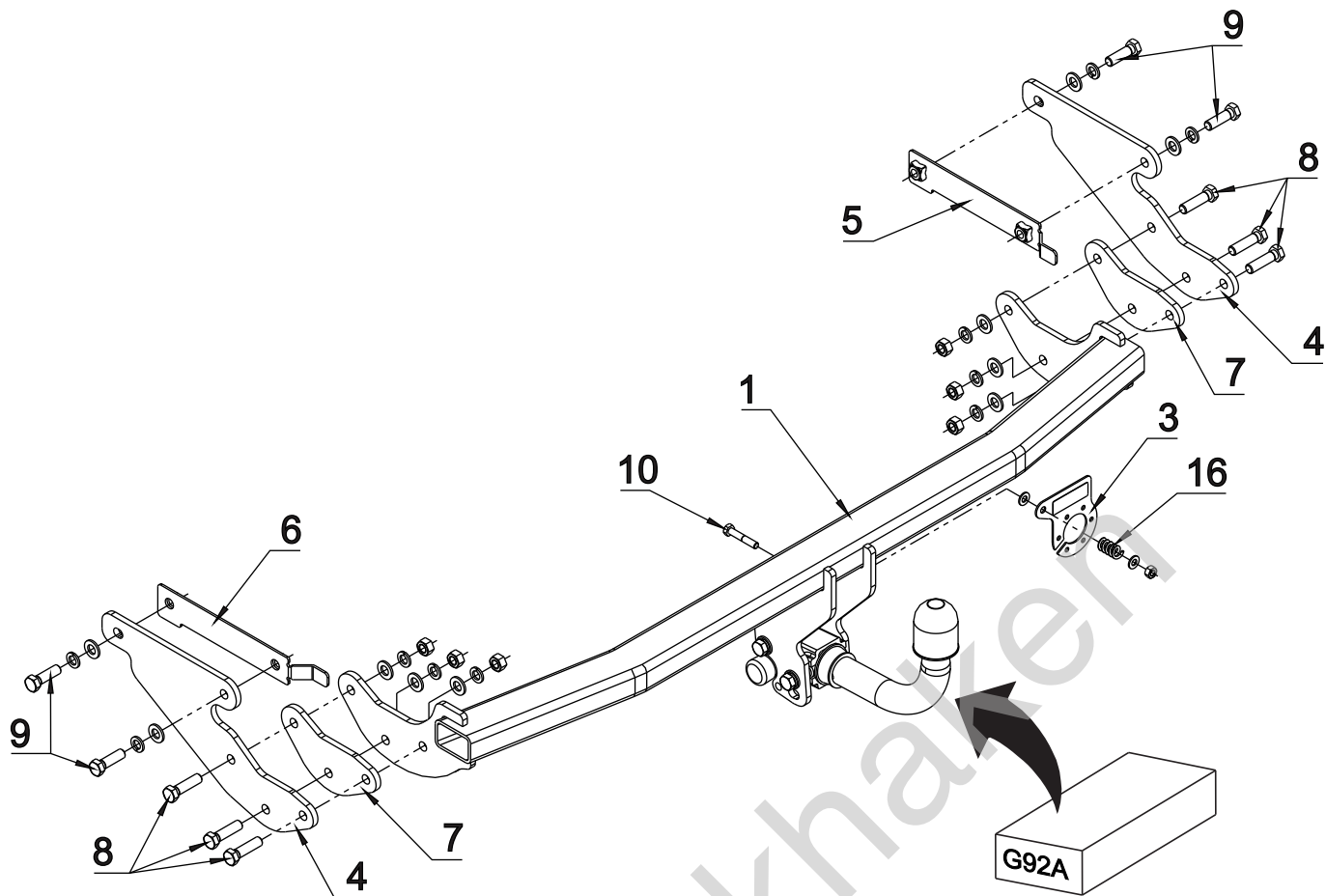


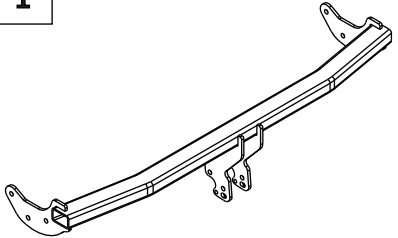

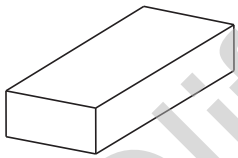
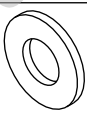

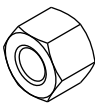

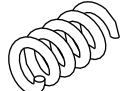
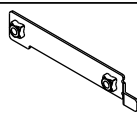
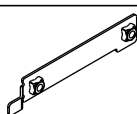
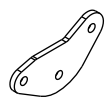




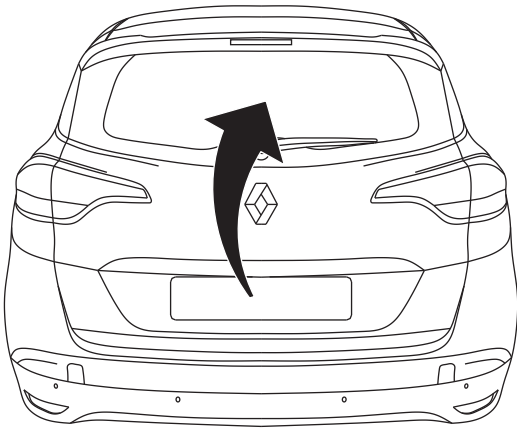
 **M6 - 8,5 Nm**      **M8 - 20 Nm**  
**M10 - 41 Nm**      **M12 - 70 Nm**  
**M14 - 112 Nm**      **M16 - 170 Nm**

 **0 km** →  **1000 km**

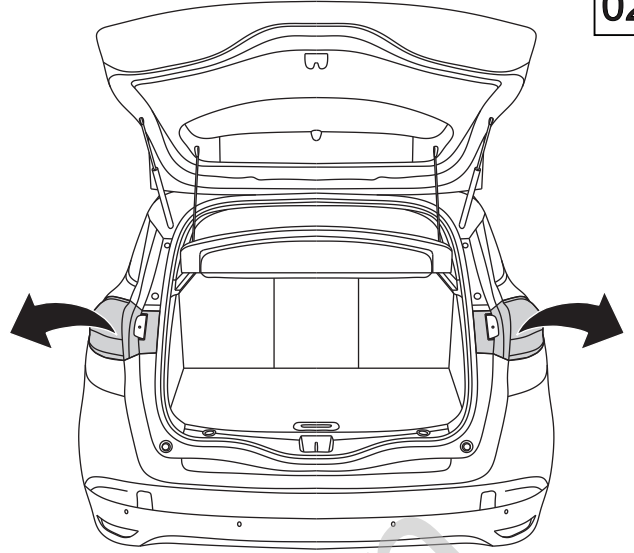


	x1		8	M12x45	x6
			9	M12x40	x4
			10	M8x45	x1
			11	∅ 13	x10
 Art.nr-KL1G92A	x1		12	∅ 8.5	x2
			13	∅ 12.2	x10
 Art.nr-BL1G92A	x1		14	M12	x6
			15	M8	x1
	x2		16		x1
	x1				
	x1				
	x2				

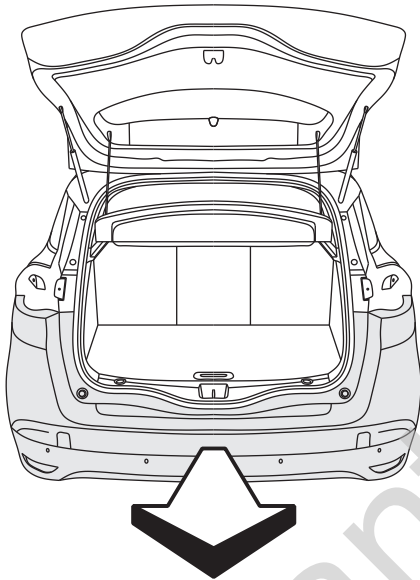
01



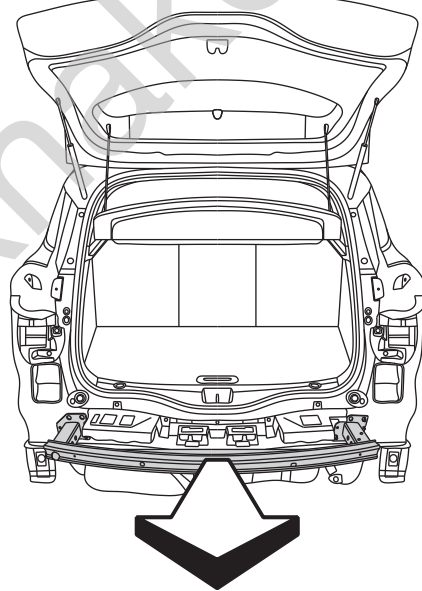
02



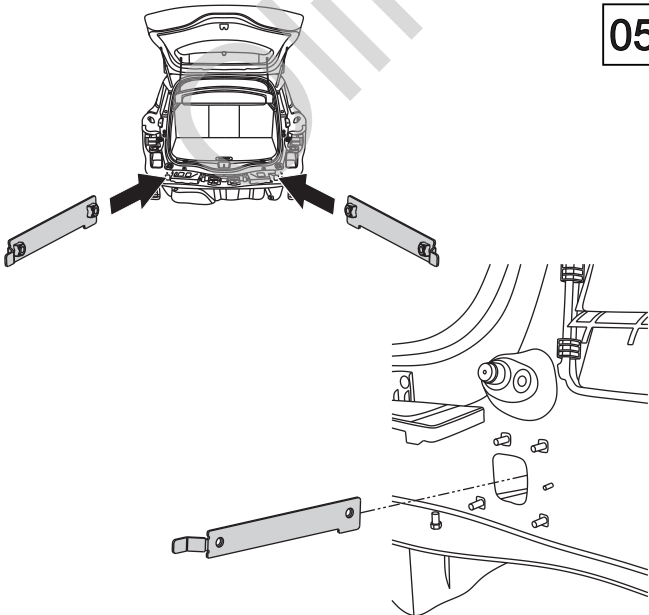
03



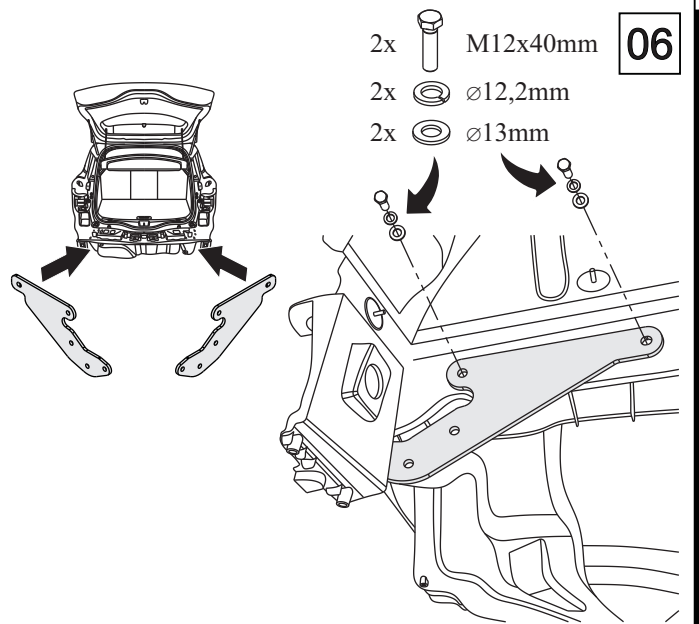
04



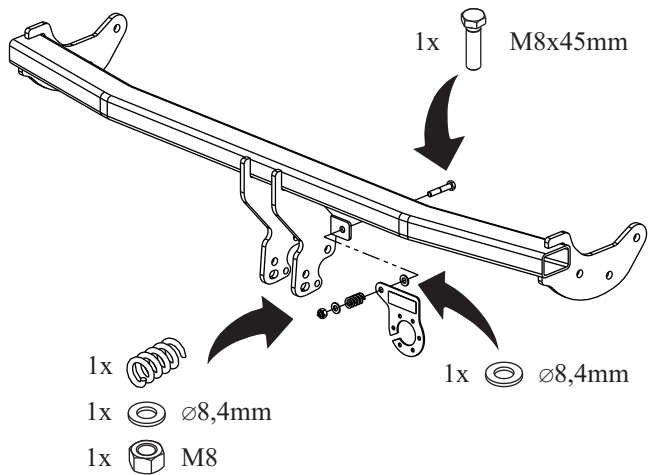
05



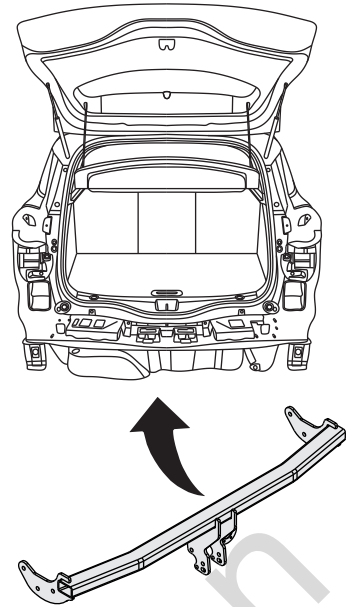
06



07

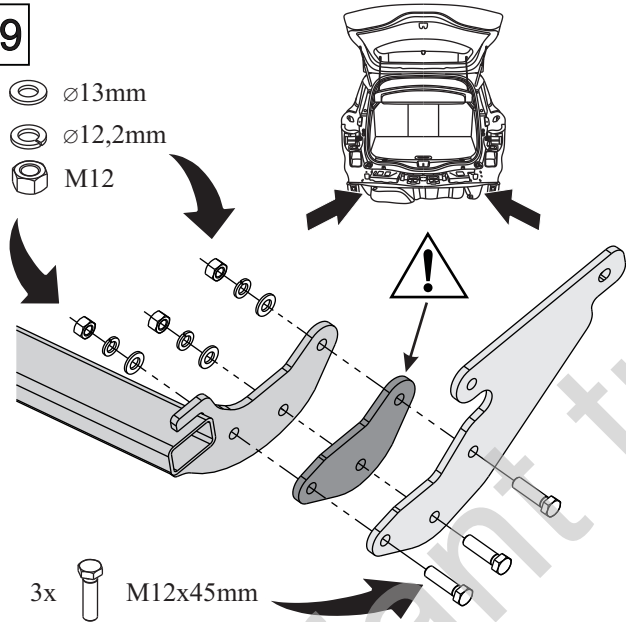


08

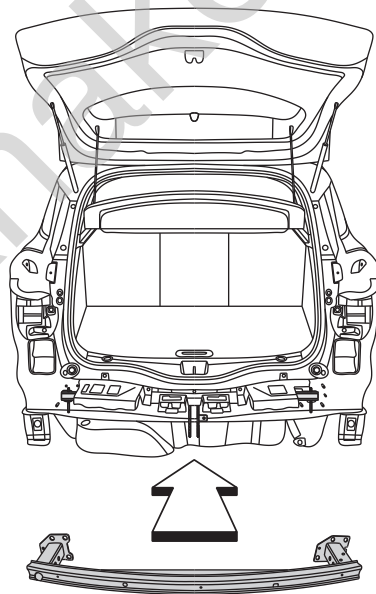


09

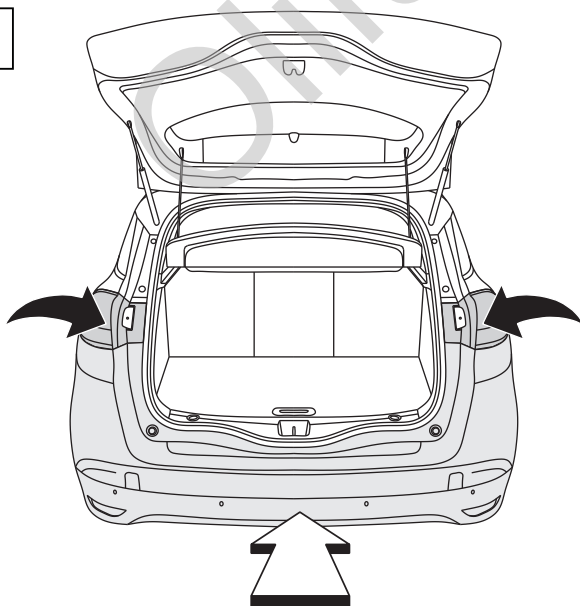
- 3x ø13mm
- 3x ø12,2mm
- 3x M12



10



11



12

