

AUTO-HAK Sp. z o.o.

ul. Słoneczna 16K 76-200 SŁUPSK
POLAND

tel/fax +48 59 8 414 414; +48 59 8 414 413

e-mail: office@autohak.com.pl

www.autohak.com.pl



AUTO-HAK



**RENAULT SCENIC IV
5D, VAN**

Cat. no:

G91A



11.2016 → 04.2018

05.2018 →



E20-55R-01 4978



2h

D

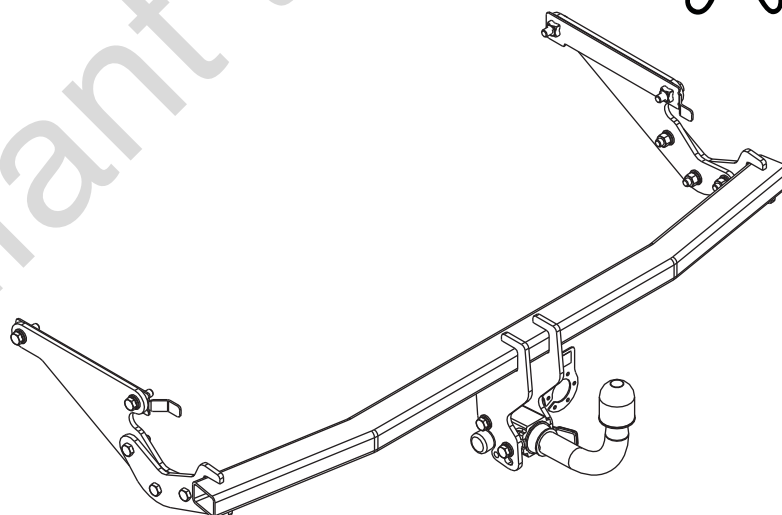
8,81 kN



R=1600 kg



S=80 kg



M6 - 8,5 Nm
M10 - 41 Nm
M14 - 112 Nm

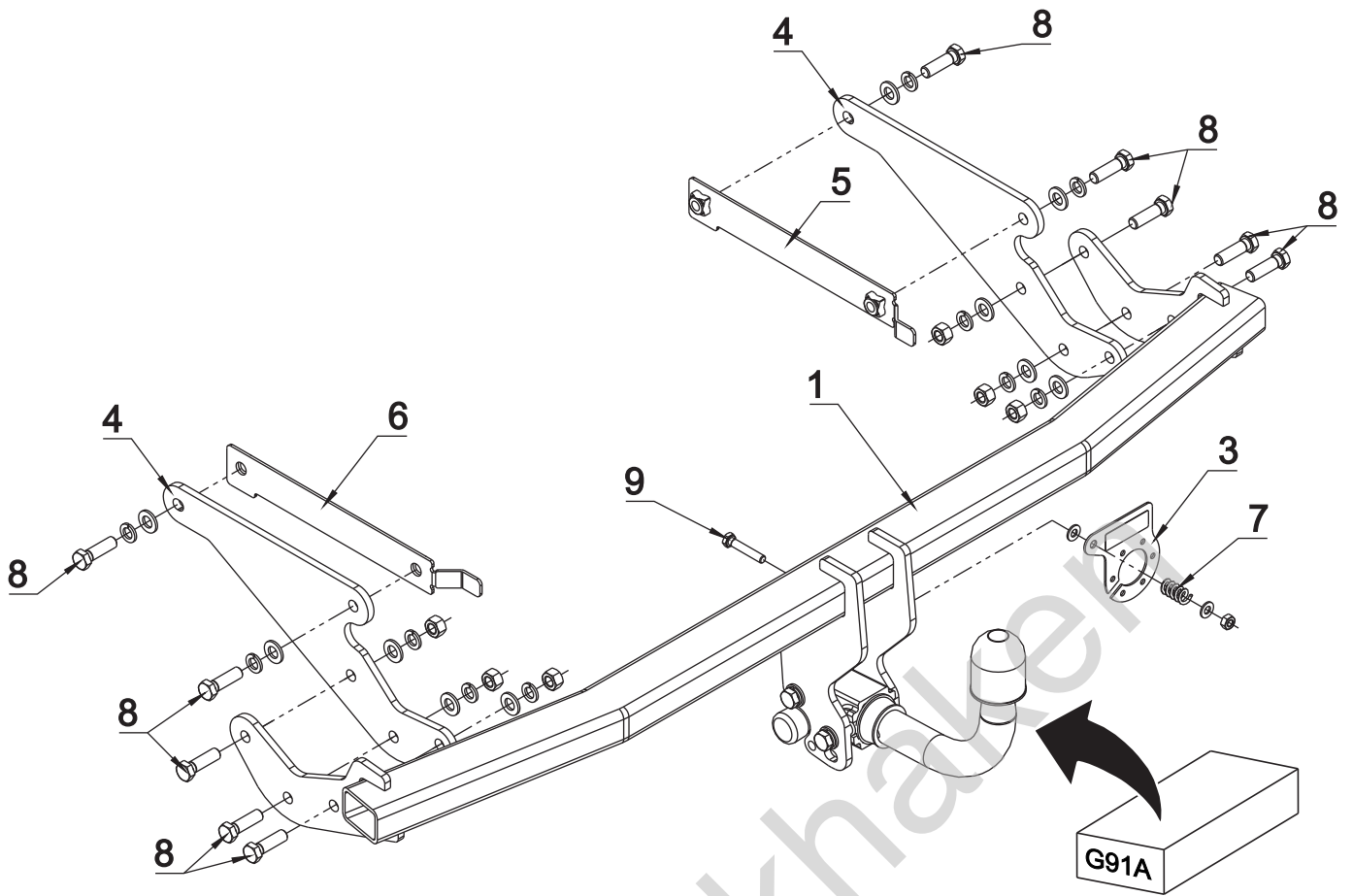
M8 - 20 Nm
M12 - 70 Nm
M16 - 170 Nm

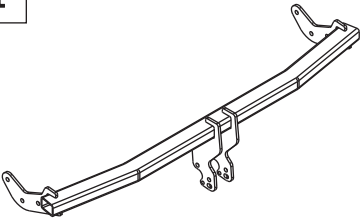





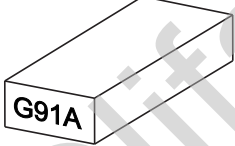



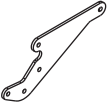
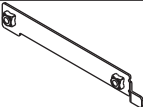
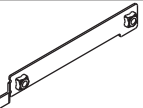



0 km →

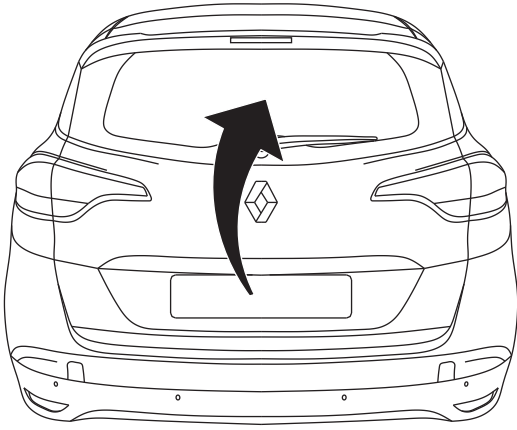


1000 km

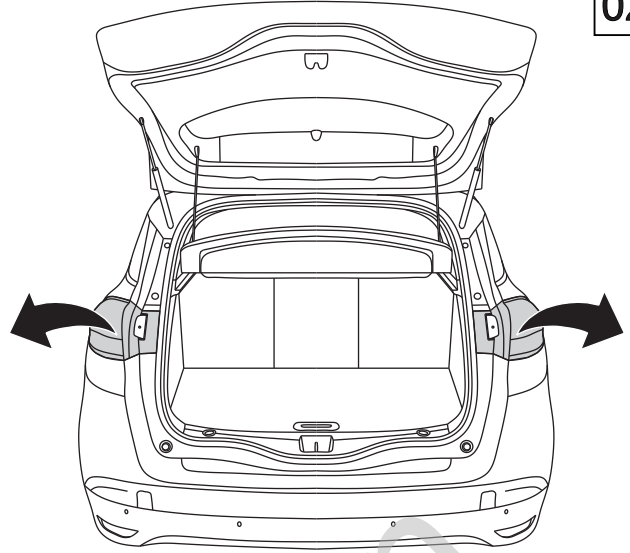


1		x 1		8 M12x40	x 10
				9 M8x45	x 1
				10 \varnothing 13	x 10
				11 \varnothing 8.5	x 2
				12 \varnothing 12.2	x 10
		x 1		13 M12	x 6
	Art.nr-KL1G91A			14 M8	x 1
		x 1			
	Art.nr-BL1G91A				
		x 2			
		x 1			
		x 1			
		x 1			

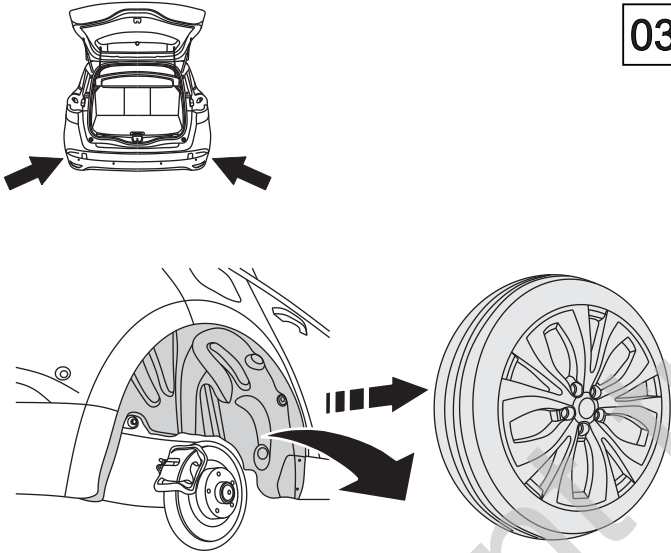
01



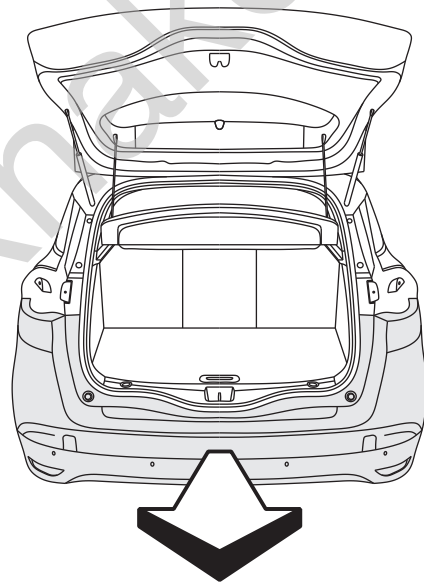
02



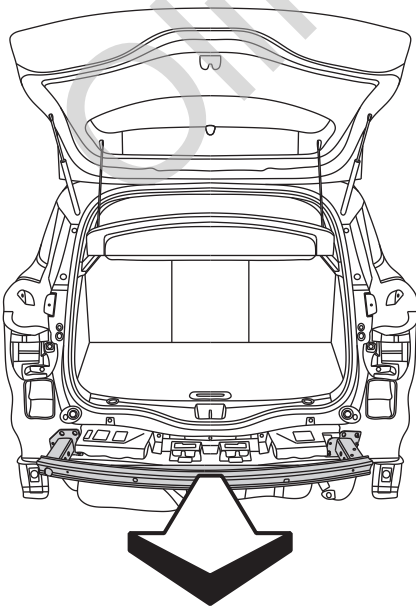
03



04



05



06

