

PPUH AUTO-HAK Sp.J.

Henryk i Zbigniew Nejman
ul. Słoneczna 16K 76-200 SŁUPSK
POLAND

tel/fax +48 59 8 414 414; +48 59 8 414 413

e-mail: office@autohak.com.pl

www.autohak.com.pl



AUTO-HAK



**RENAULT TALISMAN
GRANDTOUR (KOMBI)**

Cat. no:

G88A



2016 →



E20-55R-01 4872



10,10 kN



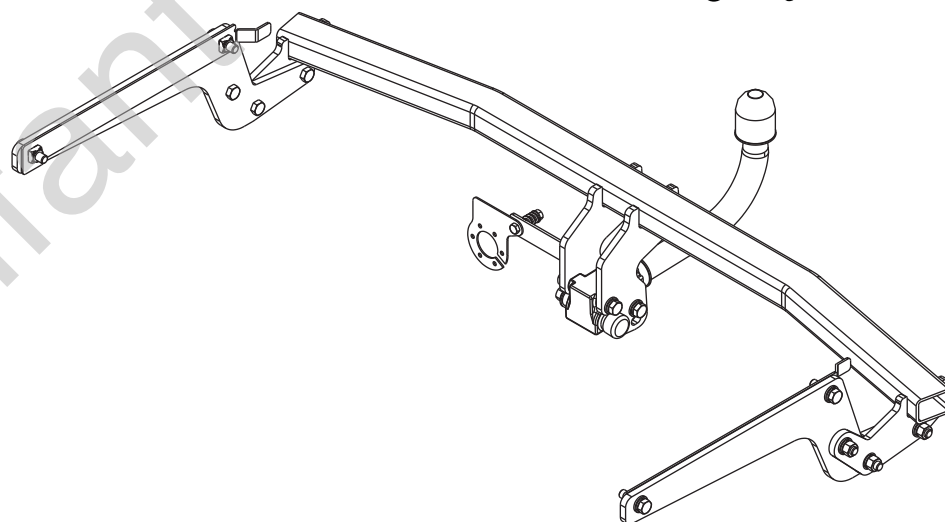
R=2000 kg



S=80 kg



2h



M6 - 8,5 Nm
M10 - 41 Nm
M14 - 112 Nm

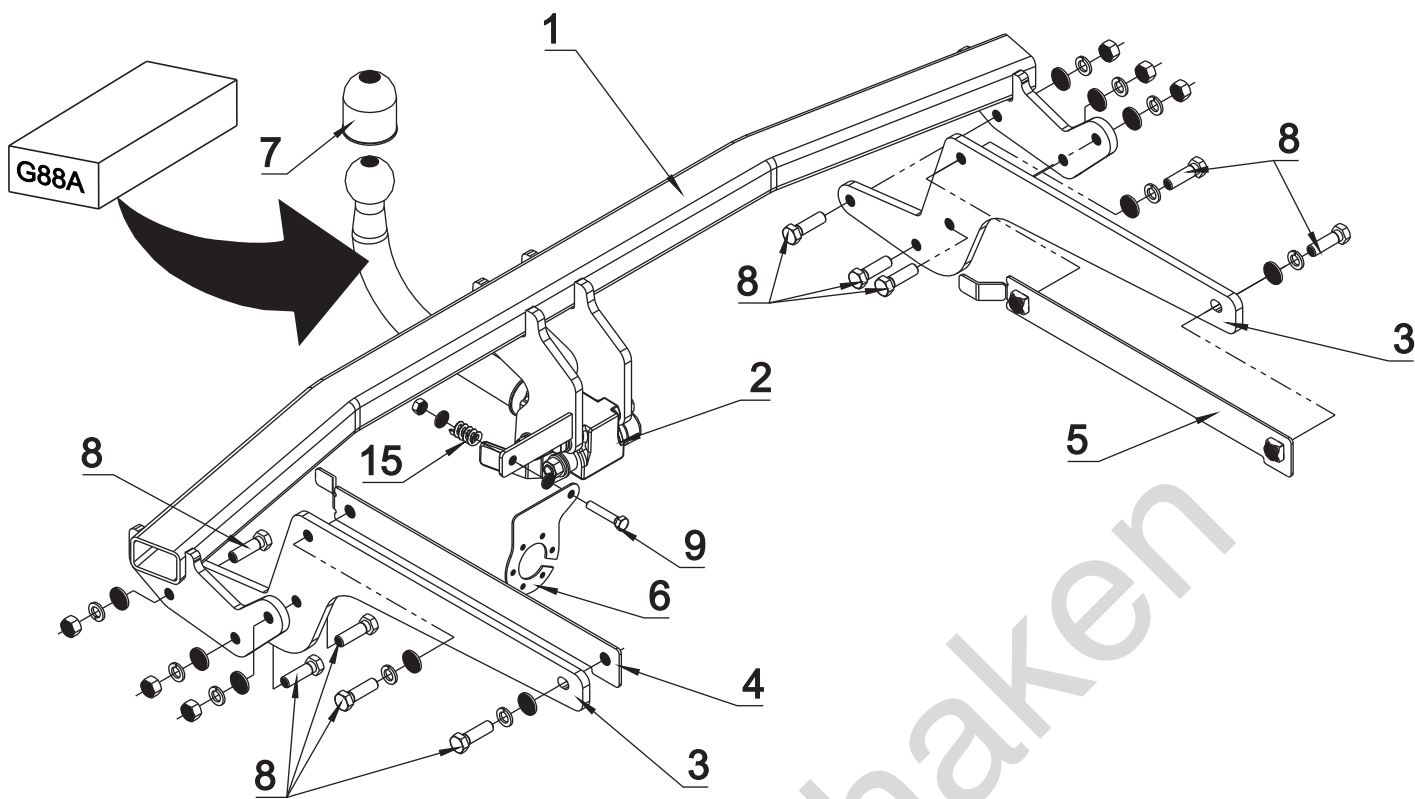
M8 - 20 Nm
M12 - 70 Nm
M16 - 170 Nm

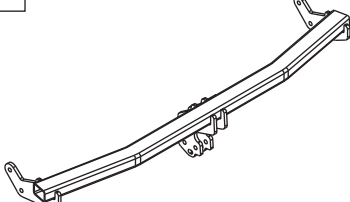





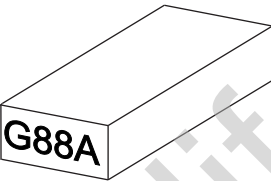


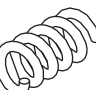



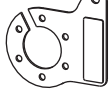



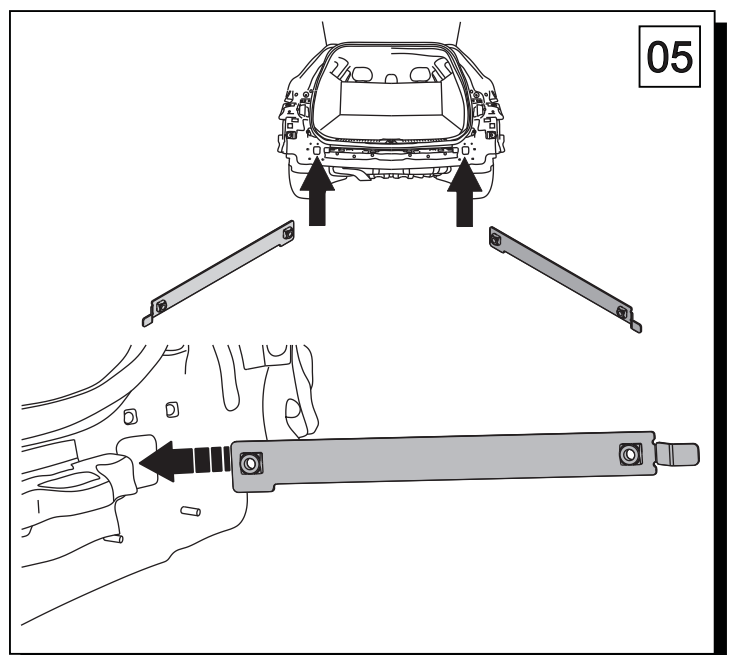
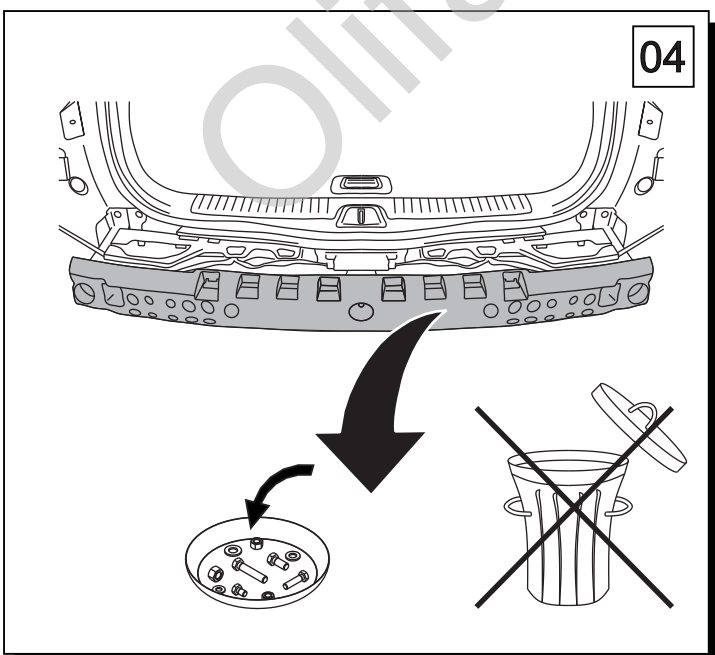
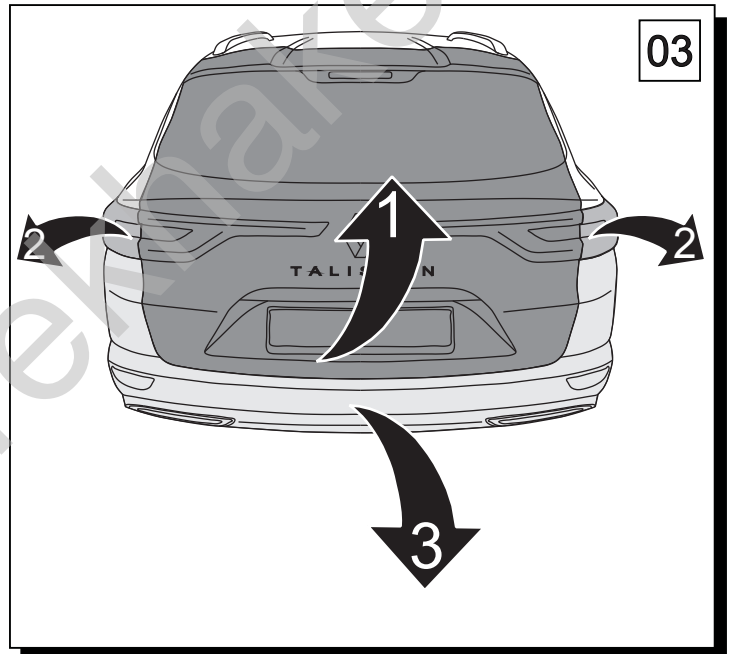
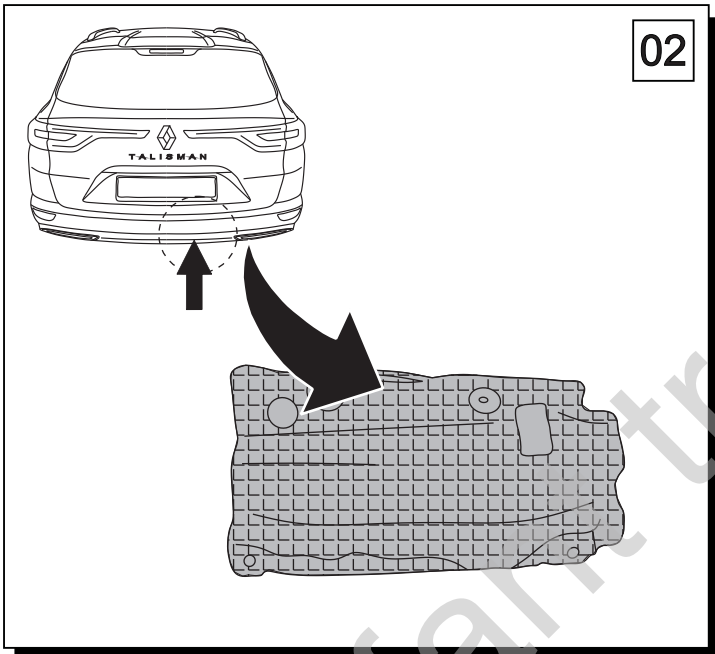
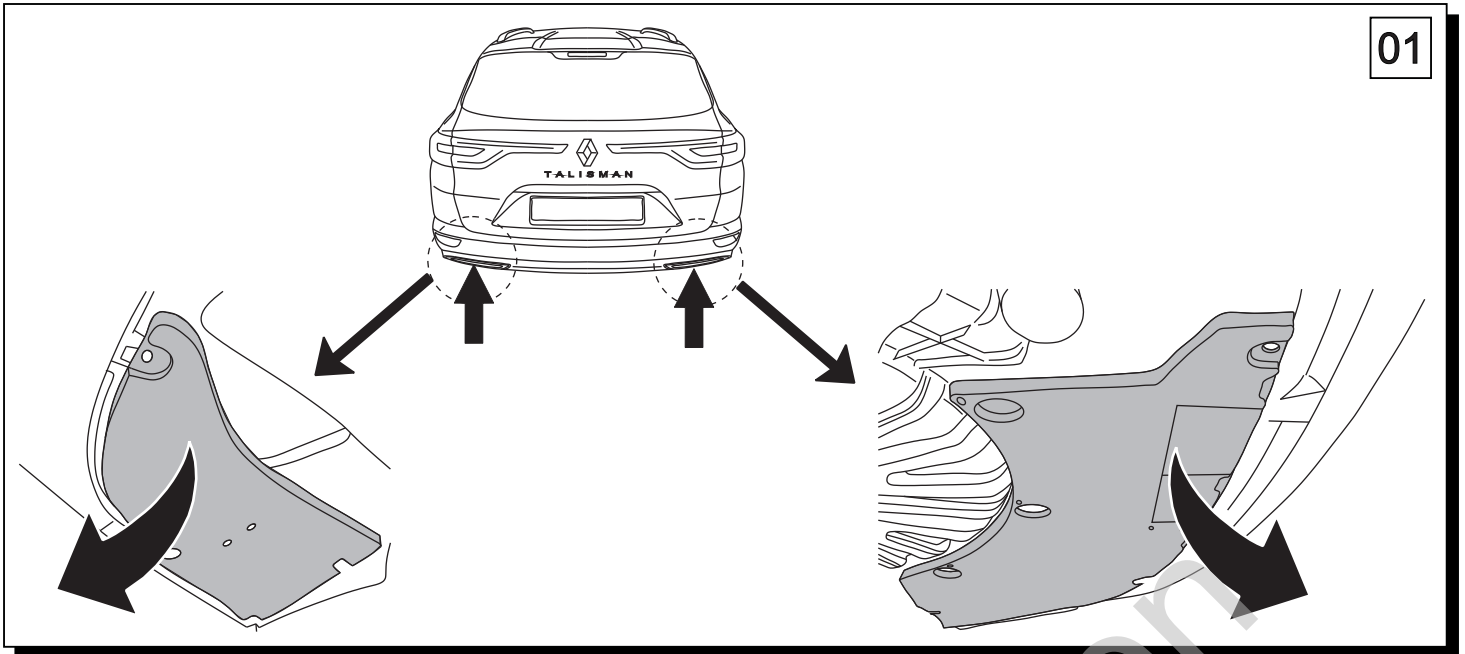
0 km →

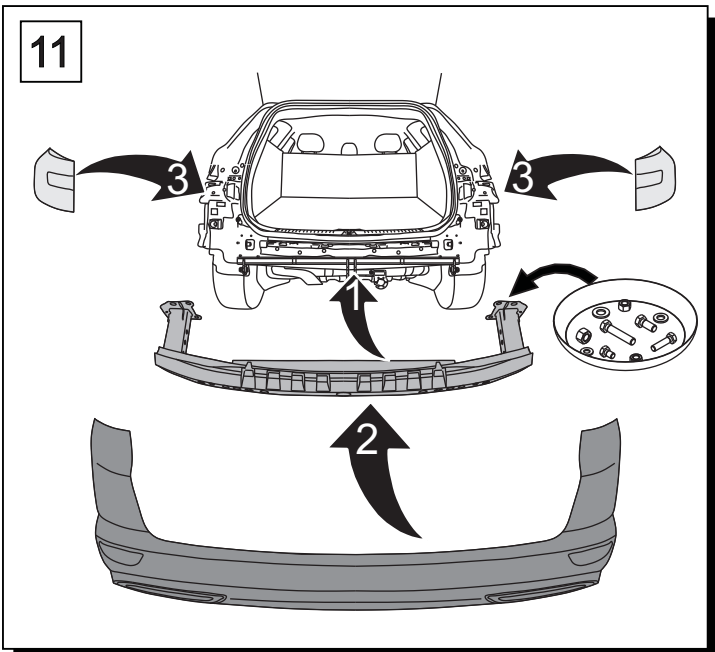
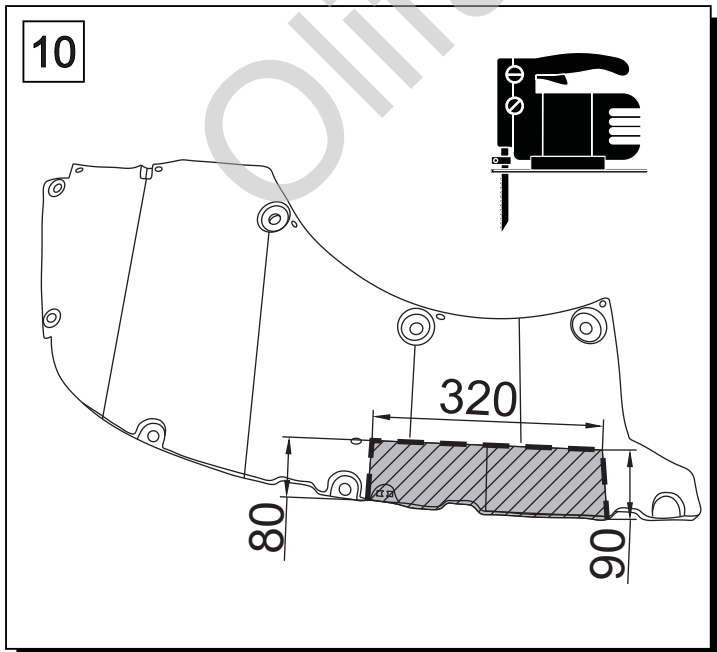
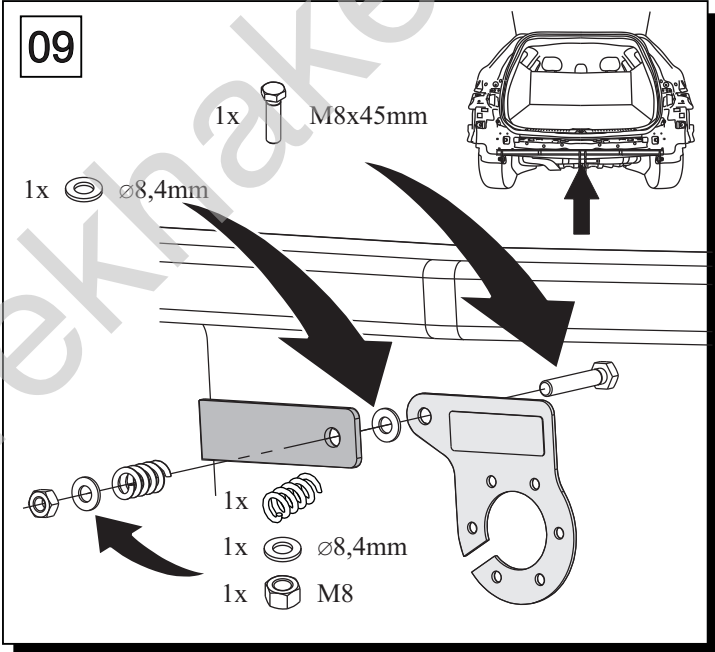
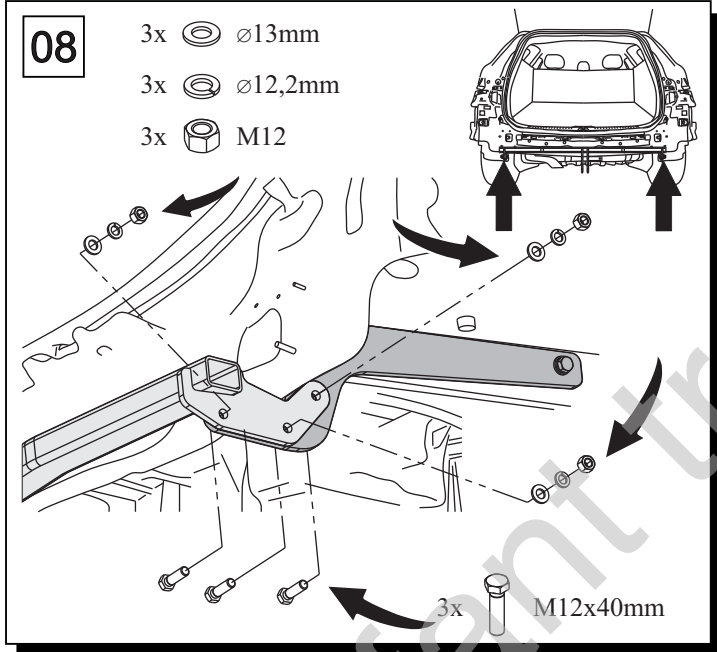
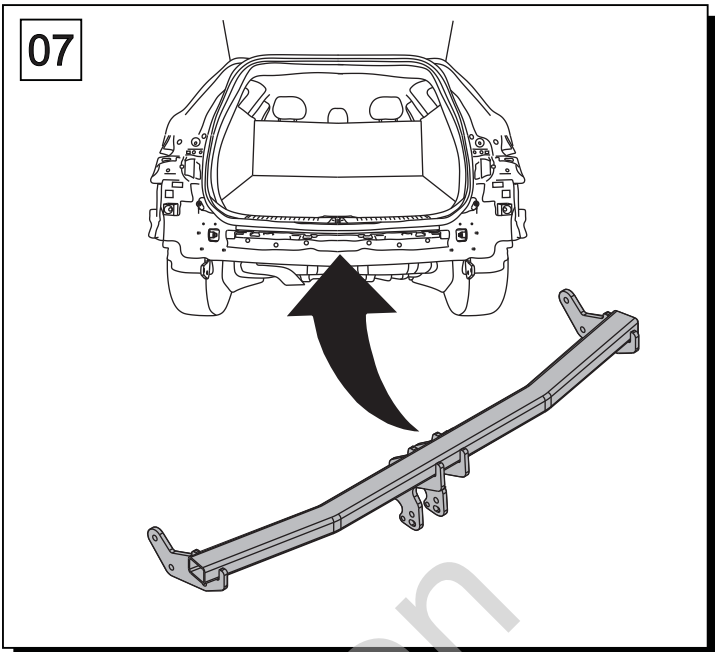
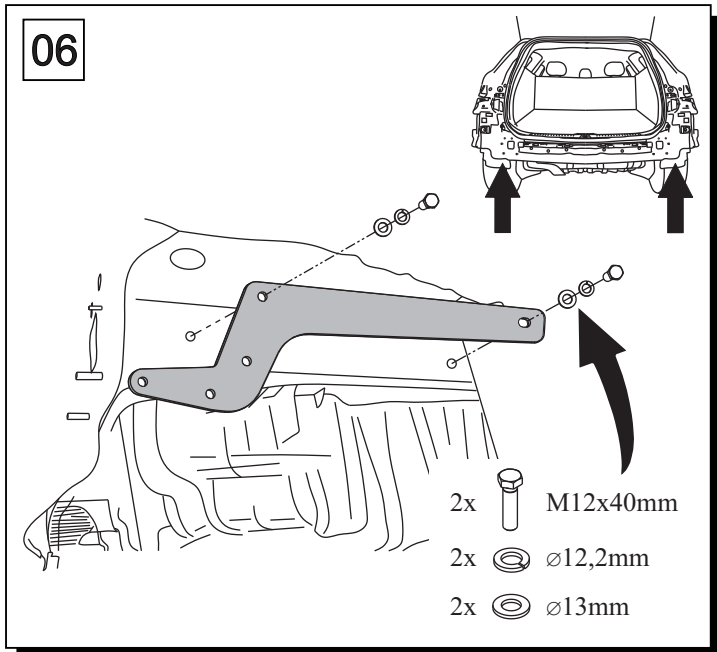


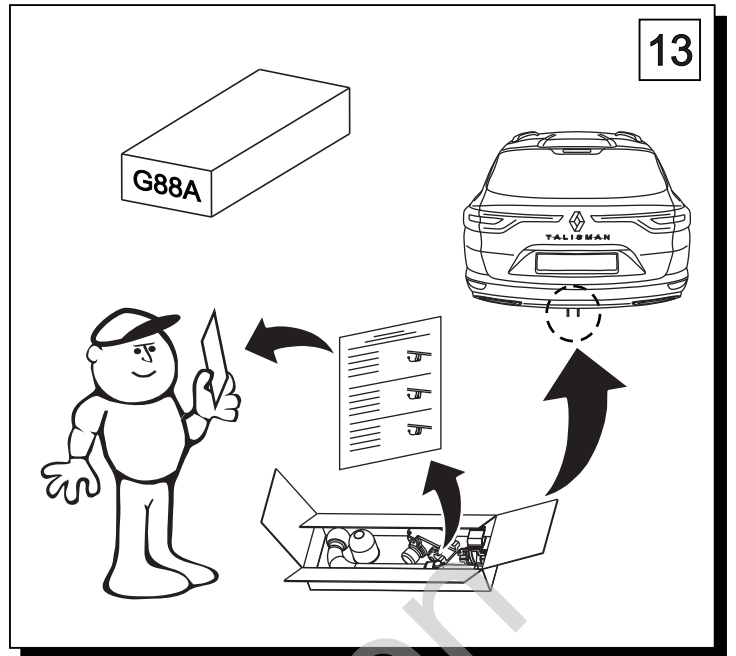
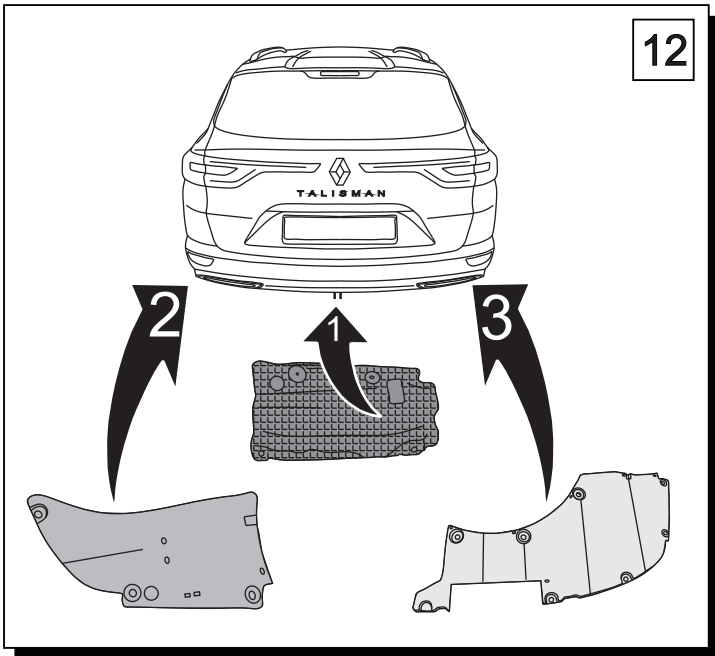
1000 km



1		x 1		8 M12x40	x 10
				9 M8x45	x 1
				10 ϕ 13	x 10
				11 ϕ 8.3	x 2
				12 ϕ 12.2	x 10
2	 Art.nr-KL1G88A	x 1		13 M12	x 6
				14 M8	x 1
				15	x 1
3		x 2			
4		x 1			
5		x 1			
6	 Art.nr-BL1G88A	x 1			
7		x 1			







Olifant trekhakeri