

PPUH AUTO-HAK Sp.J.

Henryk i Zbigniew Nejman
ul. Słoneczna 16K 76-200 SŁUPSK
POLAND

tel/fax +48 59 8 414 414; +48 59 8 414 413

e-mail: office@autohak.com.pl

www.autohak.com.pl



AUTO-HAK



RENAULT TALISMAN 4 D

Cat. no:

G86A



2015 →



E20-55R-01 5386



10,10 kN



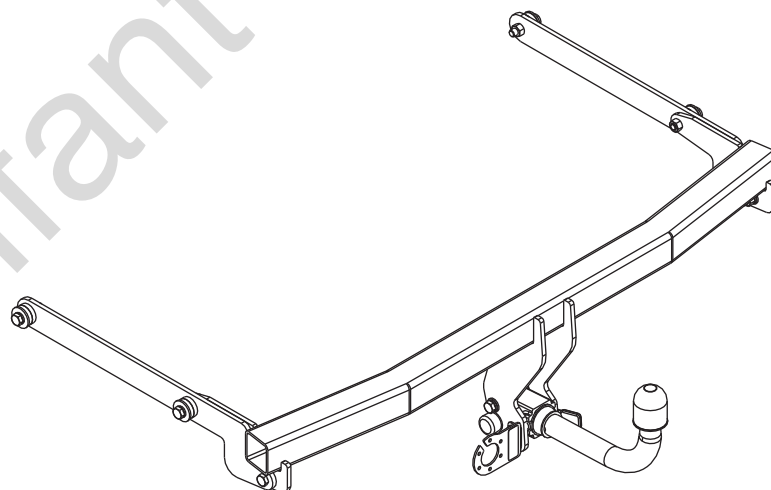
R=2000 kg



S=80 kg



2h



M6 - 8,5 Nm
M10 - 41 Nm
M14 - 112 Nm

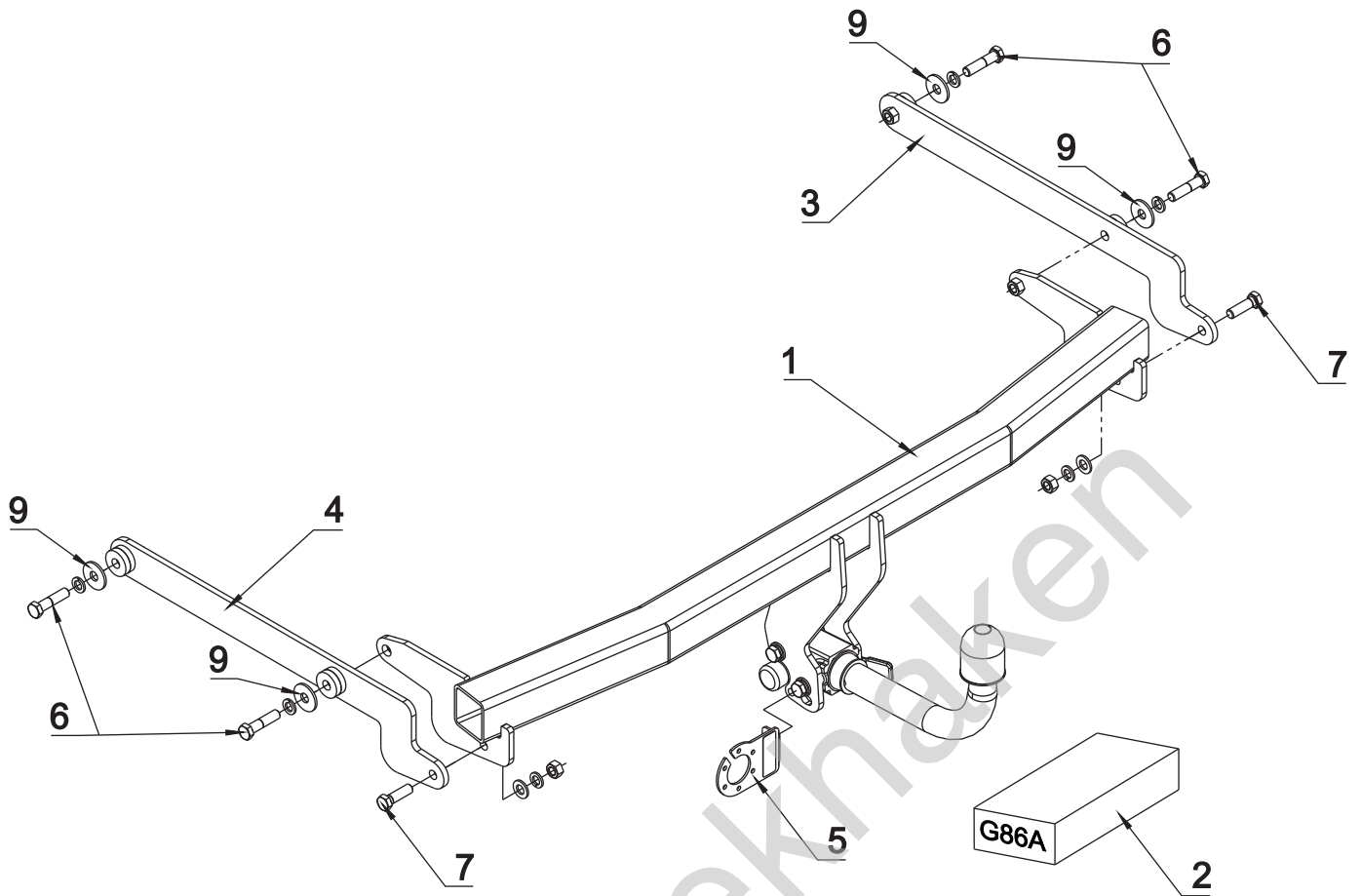
M8 - 20 Nm
M12 - 70 Nm
M16 - 170 Nm

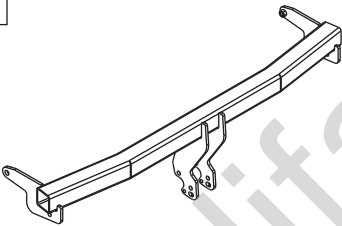




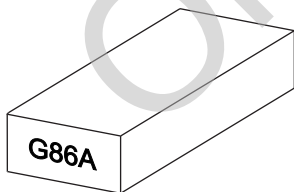

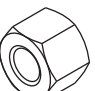
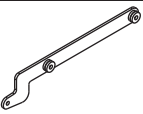
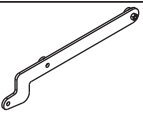
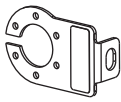


0 km →



1000 km



	x1		6	M12x50	x4
			7	M12x40	x2
			8	∅ 13	x2
			9	∅ 37x∅13x3 13 DIN 9021	x4
	x1		10	∅ 12.2	x6
			11	M12	x2
	x1				
	x1				
	x1				
					Art.nr-KL1G86A
					Art.nr-BL1G86A

