

PPUH AUTO-HAK Sp.J.

Henryk i Zbigniew Nejman
ul. Słoneczna 16K 76-200 SŁUPSK
POLAND

tel/fax +48 59 8 414 414; +48 59 8 414 413

e-mail: office@autohak.com.pl

www.autohak.com.pl



AUTO-HAK



**DACIA LOGAN
MCV II KOMBI**

Cat. no:

G81A



07.2013 → 12.2016



E20-55R-01 3507

D

7,59 kN



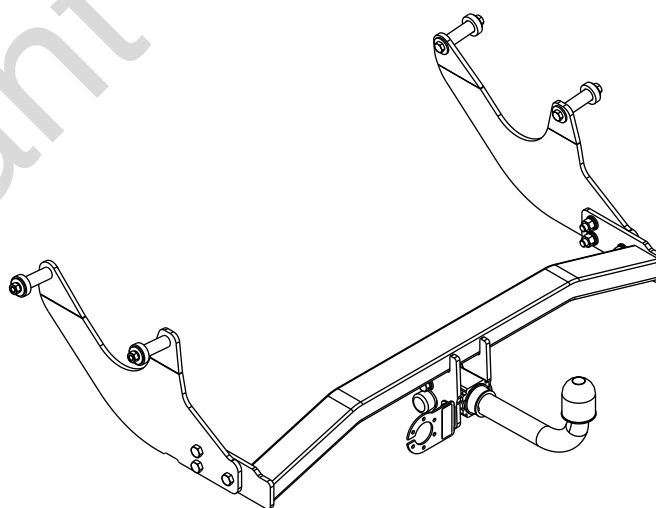
1h



R=1300 kg



S=75 kg



**M6 - 11 Nm
M10 - 50 Nm
M14 - 138 Nm**

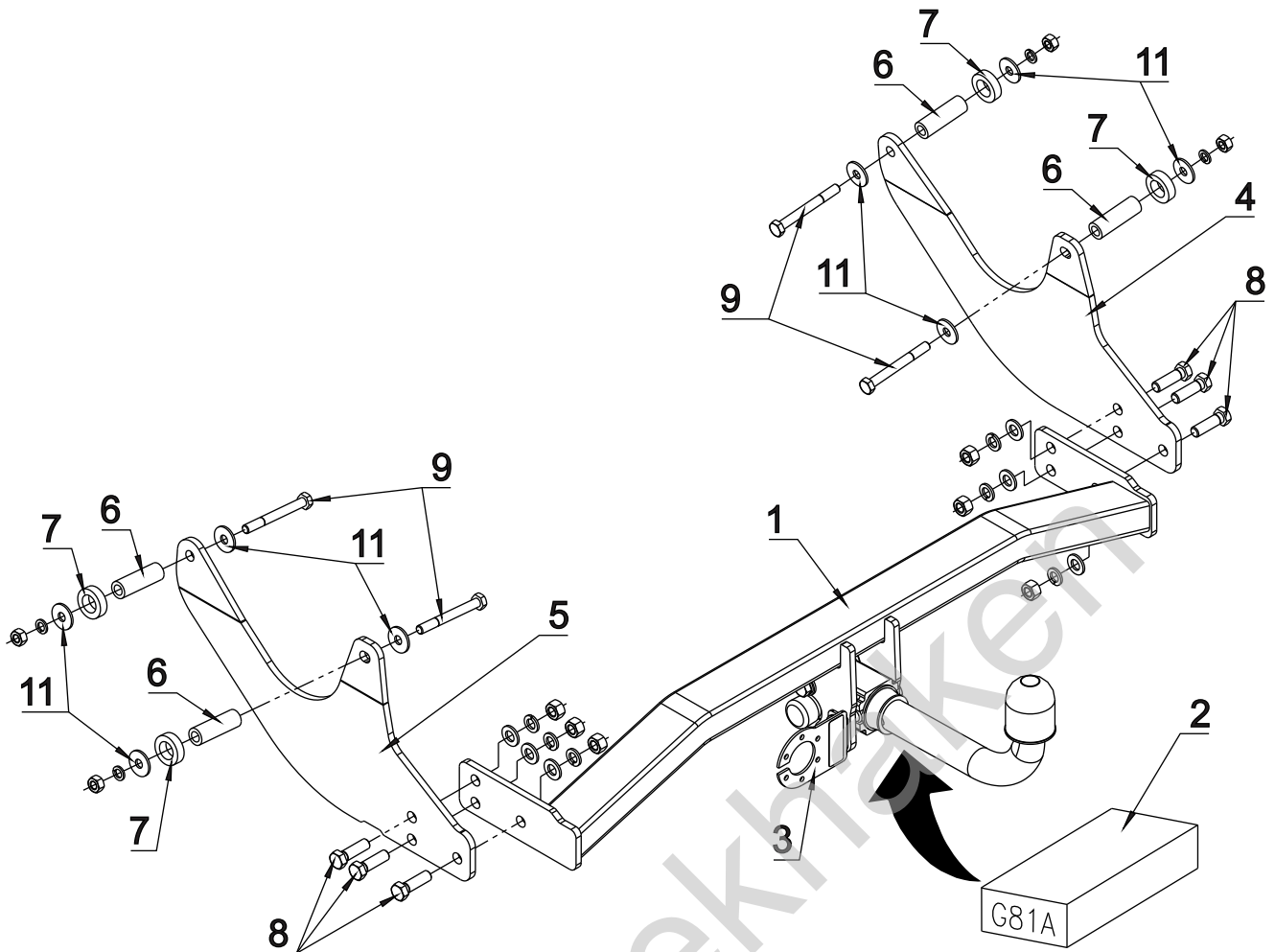
**M8 - 25 Nm
M12 - 87 Nm
M16 - 210 Nm**

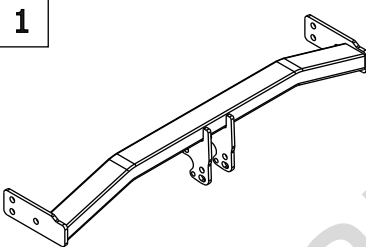


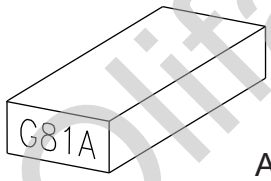
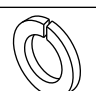
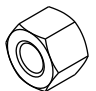
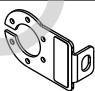
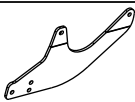
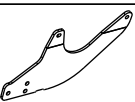
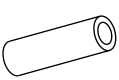



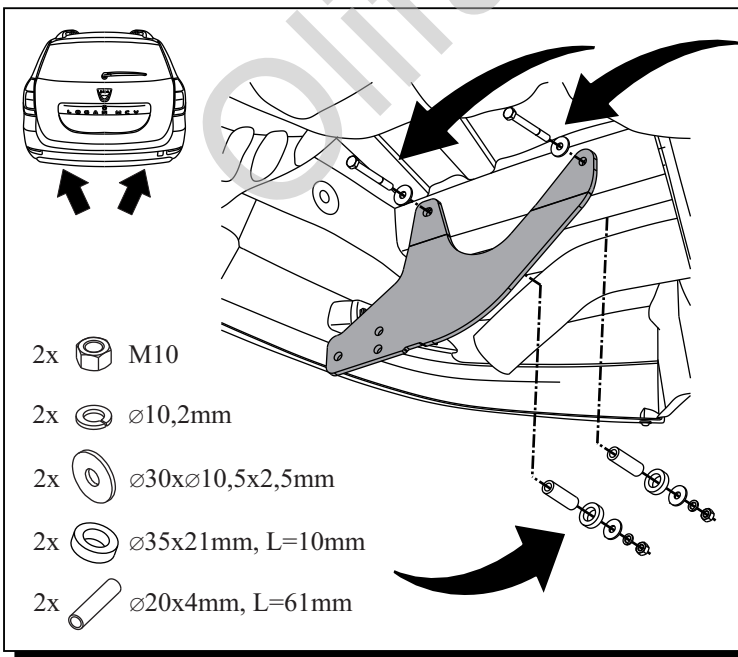
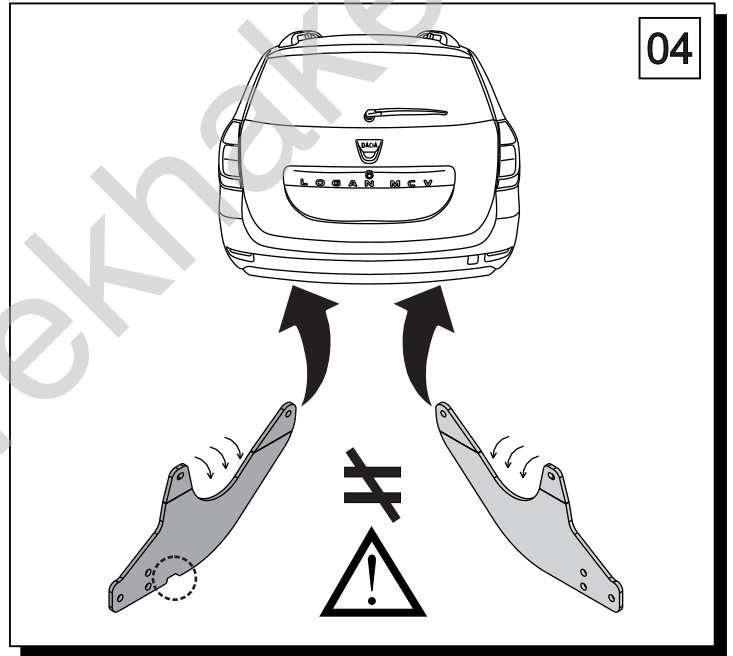
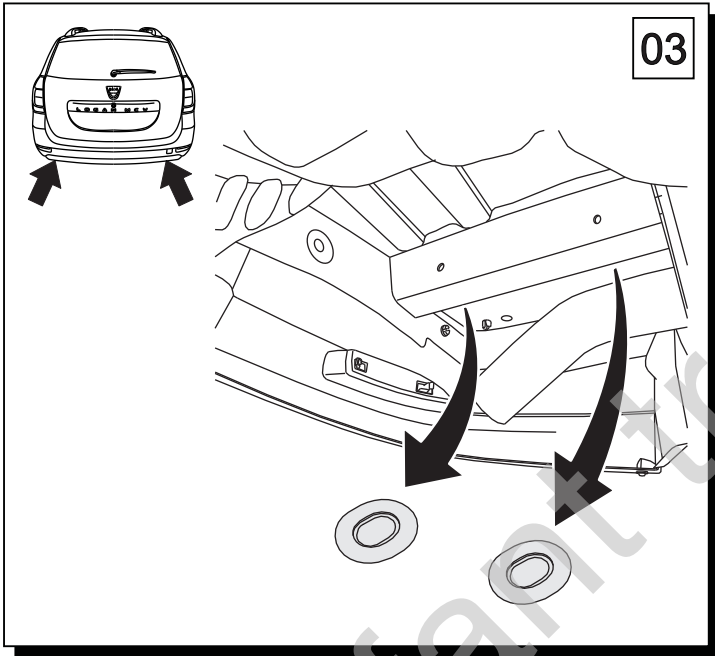
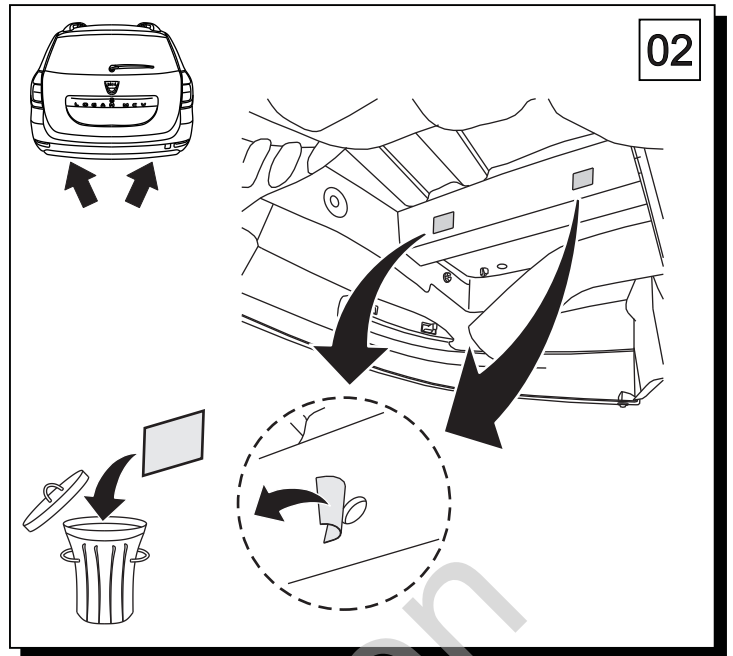
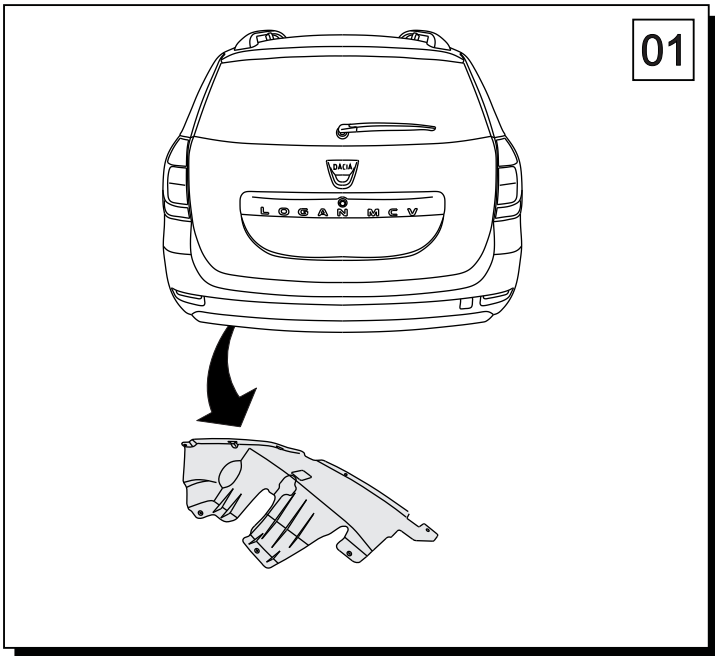
0 km →



1000 km



1		1		8 M12x40	6
				9 M10x90	4
				10 \varnothing 13	6
				11 \varnothing 30x \varnothing 10.5x2.5 10 DIN 9021	8
2	 Art.nr-KL1G81A	1		12 \varnothing 12.2	6
				13 \varnothing 10.2	4
				14 M12	6
				15 M10	4
3	 Art.nr-BL1G81A	1			
4		1			
5		1			
6	 \varnothing 20x4, L=61mm	4			
7	 \varnothing 35x \varnothing 21x10mm	4			



- 2x M10x90mm
- 2x $\varnothing 30 \times 10,5 \times 2,5\text{mm}$

