

AUTO-HAK Sp. z o.o.

ul. Słoneczna 16K 76-200 SŁUPSK
POLAND

tel/fax +48 59 8 414 414; +48 59 8 414 413

e-mail: office@autohak.com.pl

www.autohak.com.pl




AUTO-HAK

DACIA DUSTER I (facelift) SUV, 2WD, 4WD


 11.2013 → 12.2017


Nr kat.

G80A



 **E20** E20-55R-01 3504

D 8,5 kN

 **R=1500 kg**

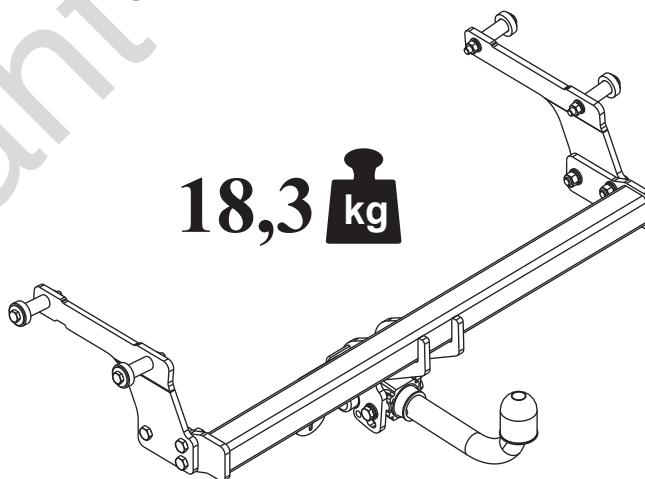
 **S=75 kg**

  **2h**

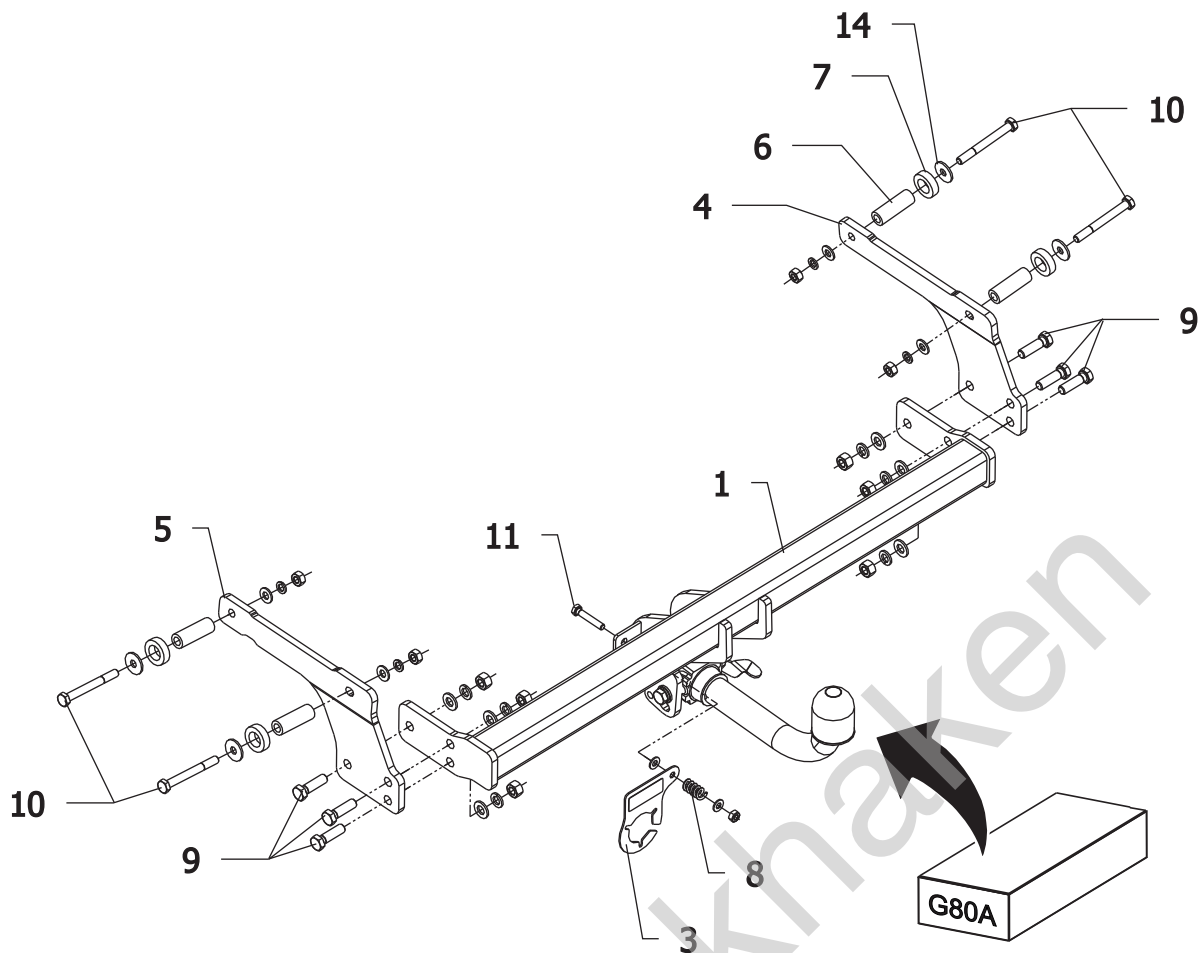


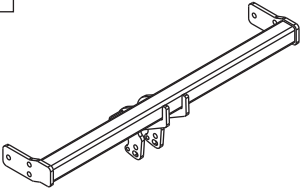

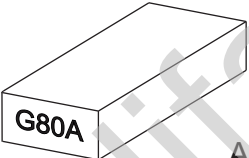





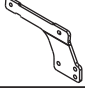
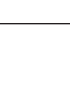





18,3 kg 



| śruba Nm | M6 | M8 | M10 | M12 | M14 | M16 |
|------------|-----|----|-----|-----|-----|-----|
| klasa 8.8 | 9,9 | 24 | 48 | 83 | 132 | 200 |
| klasa 10.9 | 14 | 34 | 67 | 117 | 185 | 285 |

 0 km →  1000 km



| | | | | | |
|---|--------------------------------------------------------------------------------------------------------------------------------|----|-------------------------------------------------------------------------------------|------------------------------------------------------------|----|
| 1 |  | x1 |  | 9 M12x40 | x6 |
| 2 |  Art.nr-KL1G80A | x1 |  | 10 M10x90 | x4 |
| | | | | 11 M8x45 | x1 |
| 3 |  Art.nr-BL1G80A | x1 |  | 12 \varnothing 13 | x6 |
| | | | | 13 \varnothing 10.5 | x4 |
| 4 |  | x1 |  | 14 \varnothing 30x \varnothing 10.5x2.5 10 DIN 9021 | 4 |
| | | | | 15 \varnothing 8.4 | x2 |
| 5 |  | x1 |  | 16 \varnothing 12.2 | x6 |
| | | | | 17 \varnothing 10.2 | x4 |
| 6 |  \varnothing 20x4, L=57mm | x4 |  | 18 M12 | x6 |
| | | | | 19 M10 | x4 |
| 7 |  \varnothing 35x \varnothing 21x10mm | x4 |  | 20 M8 | x1 |
| | | | | | |
| 8 |  | x1 | | | |

