

AUTO-HAK Sp. z o.o.

ul. Słoneczna 16K 76-200 SŁUPSK
POLAND

tel/fax +48 59 8 414 414; +48 59 8 414 413

e-mail: office@autohak.com.pl

www.autohak.com.pl



AUTO-HAK

DACIA LOGAN II 4D

Nr kat.

G78A



01.2013 → 12.2016

01.2017 → 10.2020



E20-55R-01 3331

D

6,47 kN



1h



R=1100 kg



—

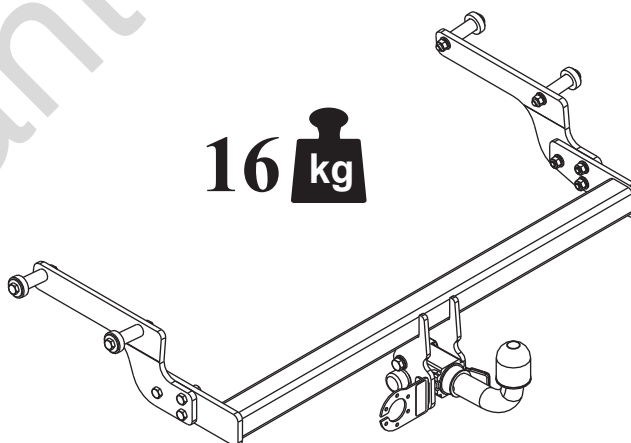


S=75 kg



—

16 kg



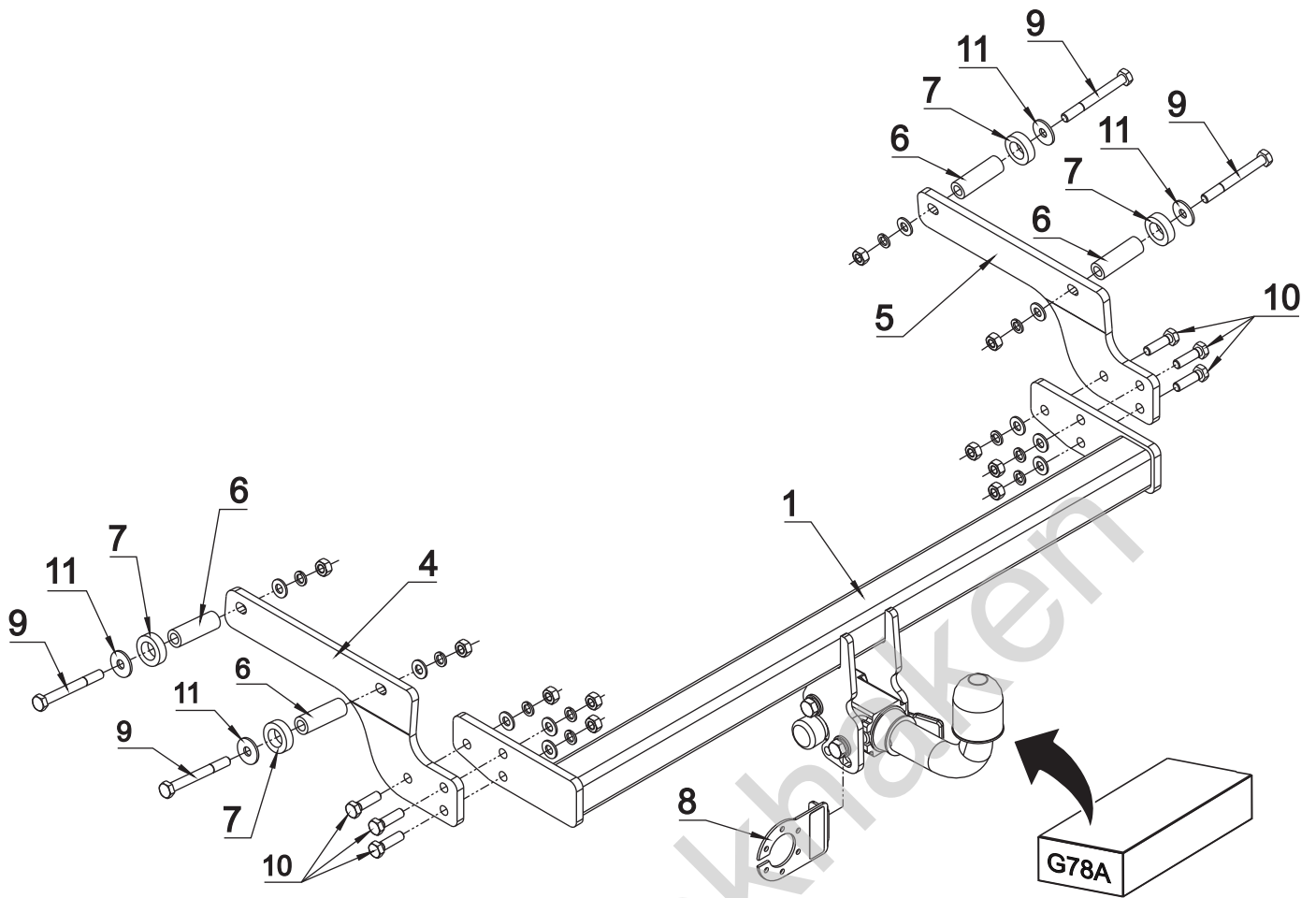
śruba	Nm	M6	M8	M10	M12	M14	M16
klasa 8.8		9,9	24	48	83	132	200
klasa 10.9		14	34	67	117	185	285

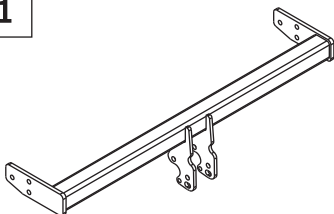



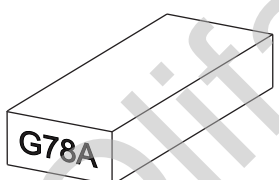

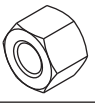

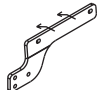
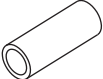

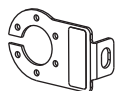


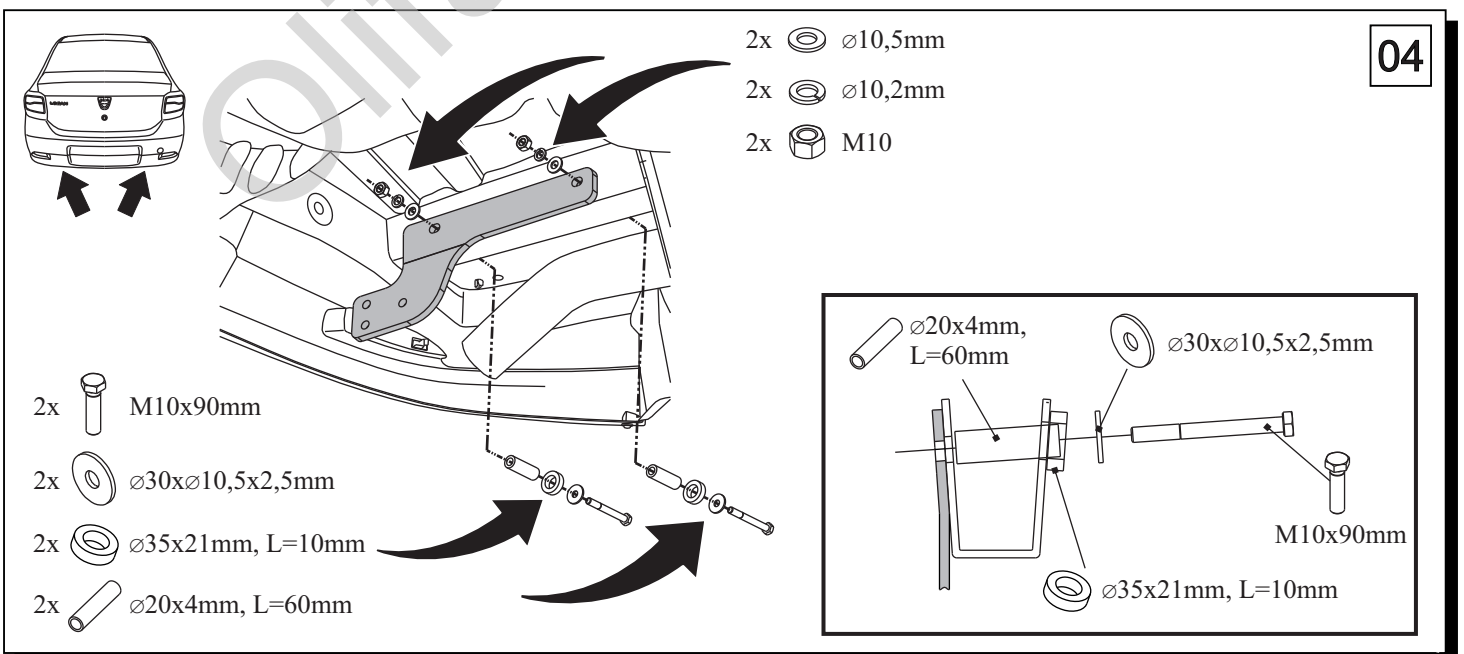
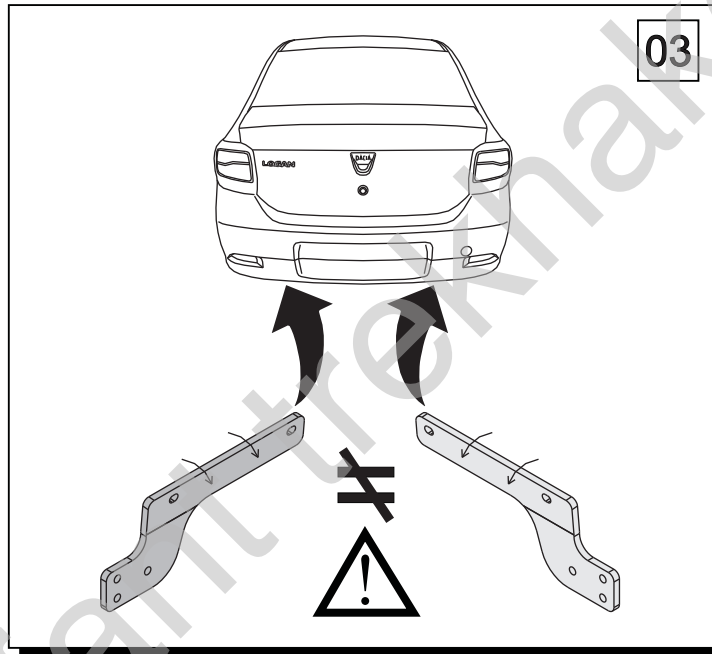
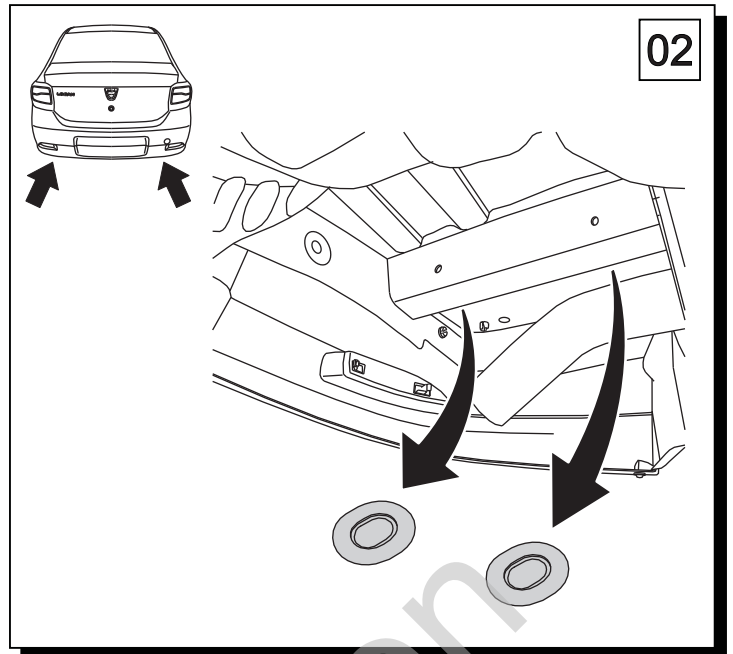
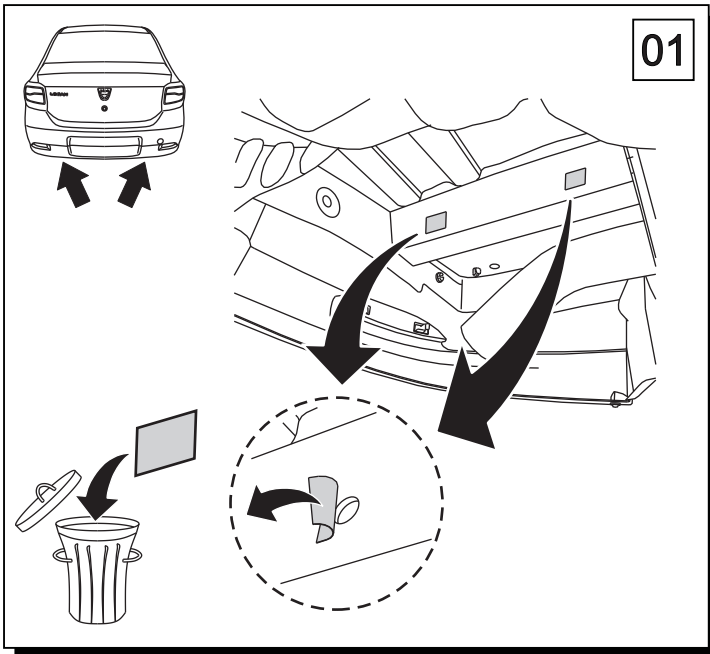
0 km →



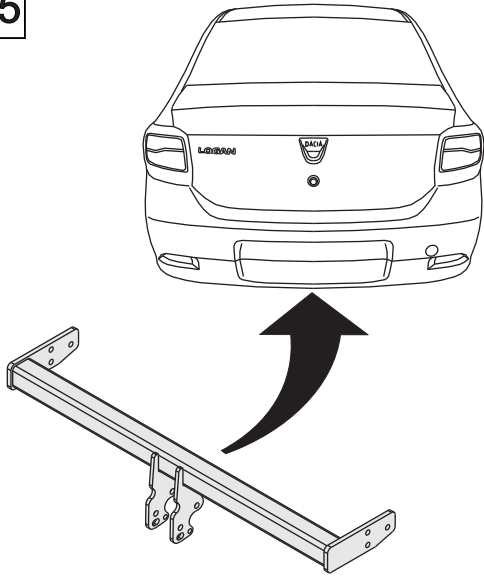
1000 km



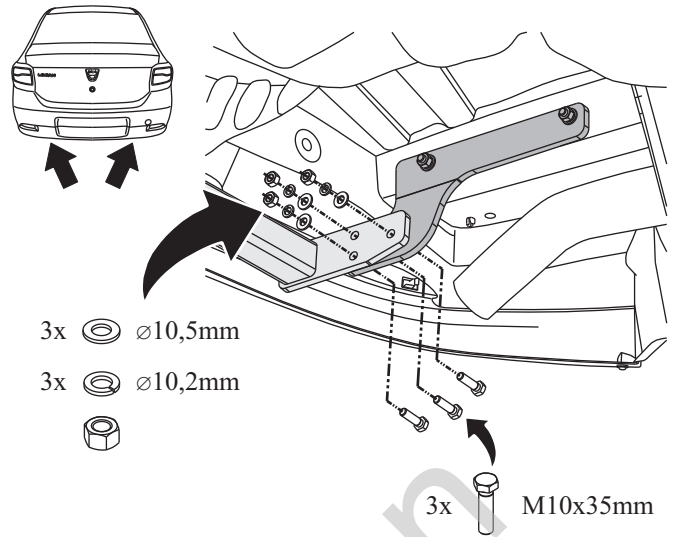
	x1		9	M10x90	x4	
				10	M10x35	x6
					11	∅ 30x∅10.5x2.5 10 (DIN 9021)
			12		∅ 10.5	x10
 Art.nr-KL1G78A	x1	 	13	∅ 10.2	x10	
			14	M10	x10	
	x1					
	x1					
	x4	∅20x4mm L=60mm				
	x4	∅35x7mm L=10mm				
	x1	Art.nr-BL1G78A				



05



06



07

