

# AUTO-HAK Sp. z o.o.

ul. Słoneczna 16K 76-200 SŁUPSK  
POLAND

tel/fax +48 59 8 414 414; +48 59 8 414 413

e-mail: [office@autohak.com.pl](mailto:office@autohak.com.pl)

[www.autohak.com.pl](http://www.autohak.com.pl)



# AUTO-HAK

## DACIA SANDERO STEPWAY 5D

Nr kat.

**G77A**



01.2013 → 11.2016  
12.2016 → 09.2020



E20-55R-01 3371



**2h**

**D**

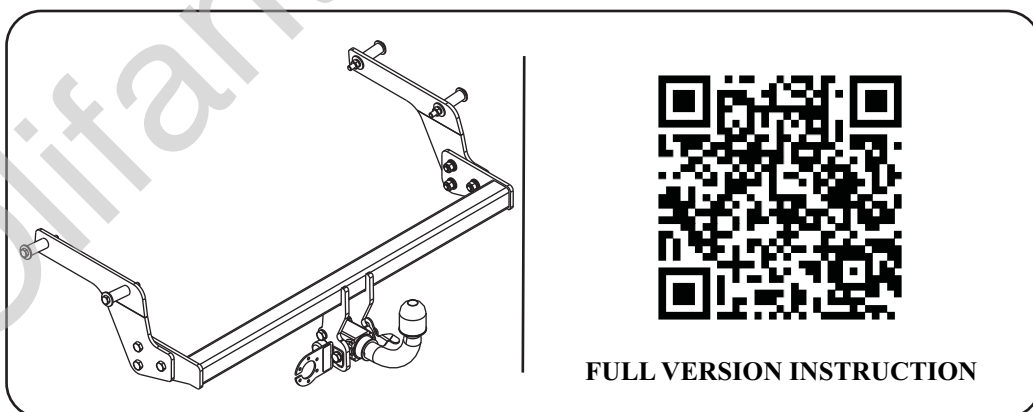
6,47 kN



R=1100 kg



S=75 kg



FULL VERSION INSTRUCTION



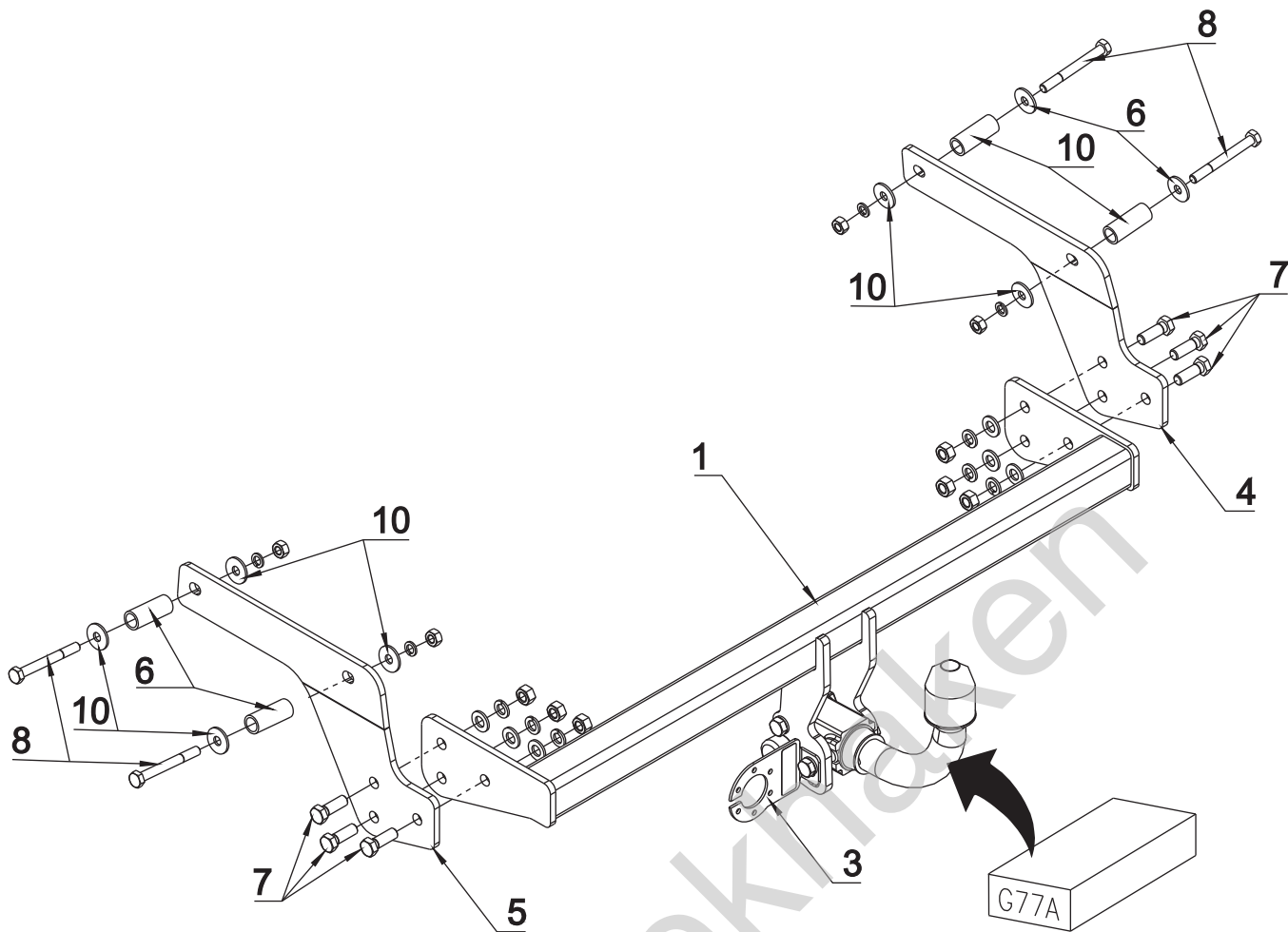
śruba	Nm	M6	M8	M10	M12	M14	M16
klasa 8.8		9,9	24	48	83	132	200
klasa 10.9		14	34	67	117	185	285

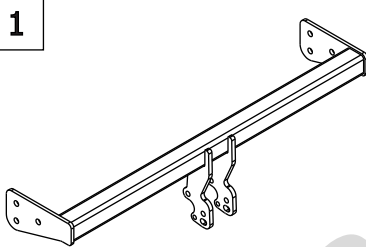
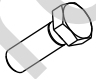
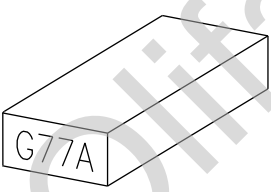


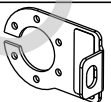
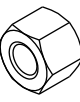
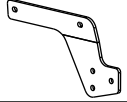
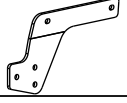
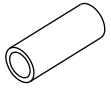


0 km

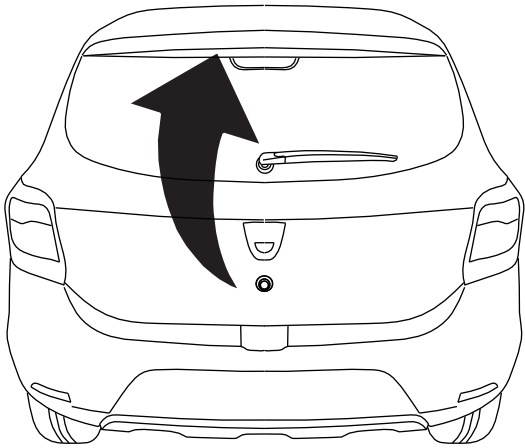


1000 km

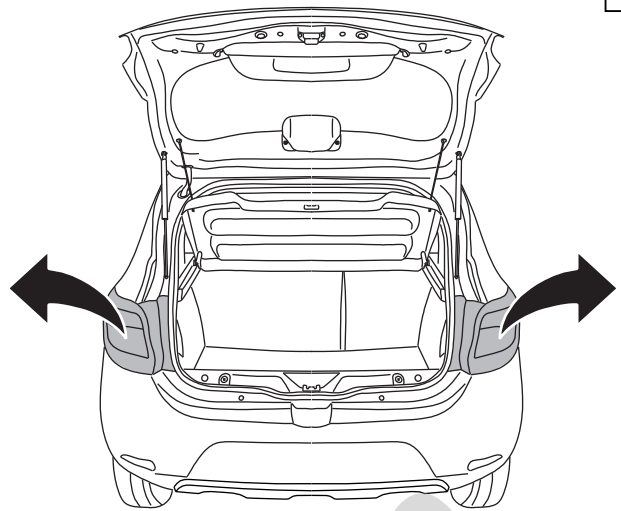


	<b>x1</b>		<b>7</b> M12x35	<b>x6</b>
			<b>8</b> M10x90	<b>x4</b>
 Art.nr-KL1G77A	<b>x1</b>		<b>9</b> $\varnothing$ 13	<b>x6</b>
			<b>10</b> $\varnothing$ 30x $\varnothing$ 10.5x2.5 10 (DIN 9021)	<b>x8</b>
			<b>11</b> $\varnothing$ 12.2	<b>x6</b>
			<b>12</b> $\varnothing$ 10.2	<b>x4</b>
 Art.nr-BL1G77A	<b>x1</b>		<b>13</b> M12	<b>x6</b>
			<b>14</b> M10	<b>x4</b>
	<b>x1</b>			
	<b>x1</b>			
	<b>x4</b> $\varnothing$ 21,3x2,65mm L=53mm			

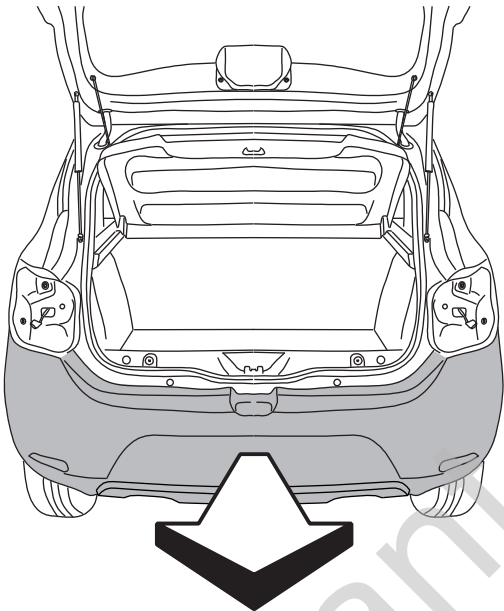
01



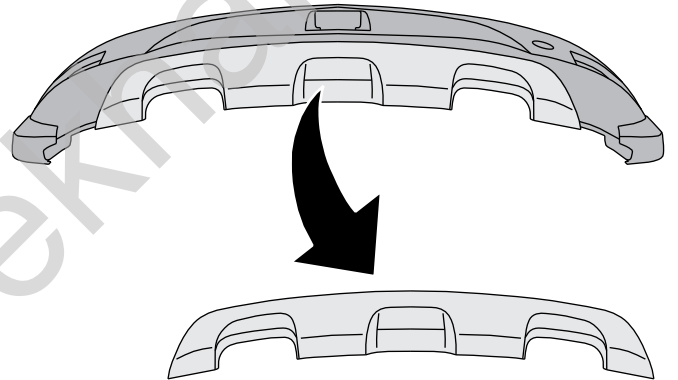
02



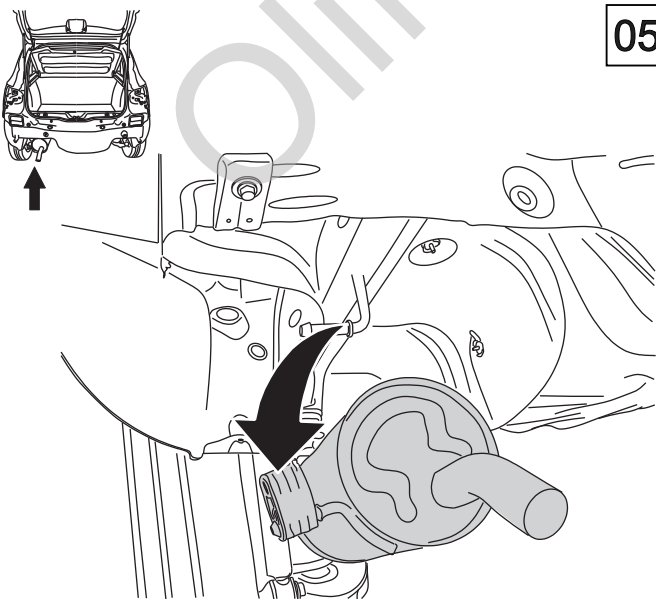
03



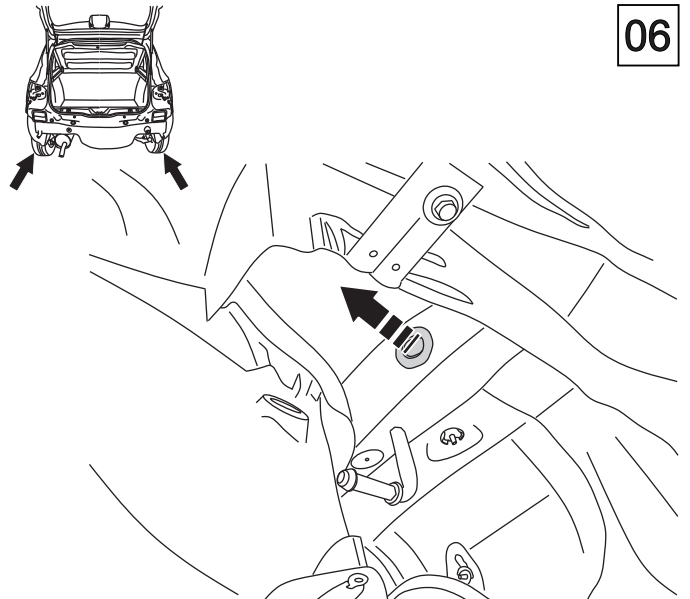
04

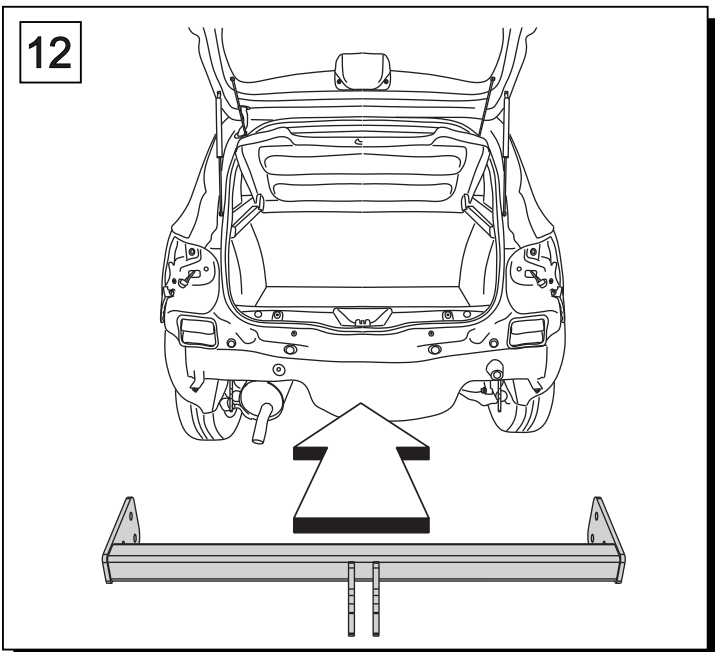
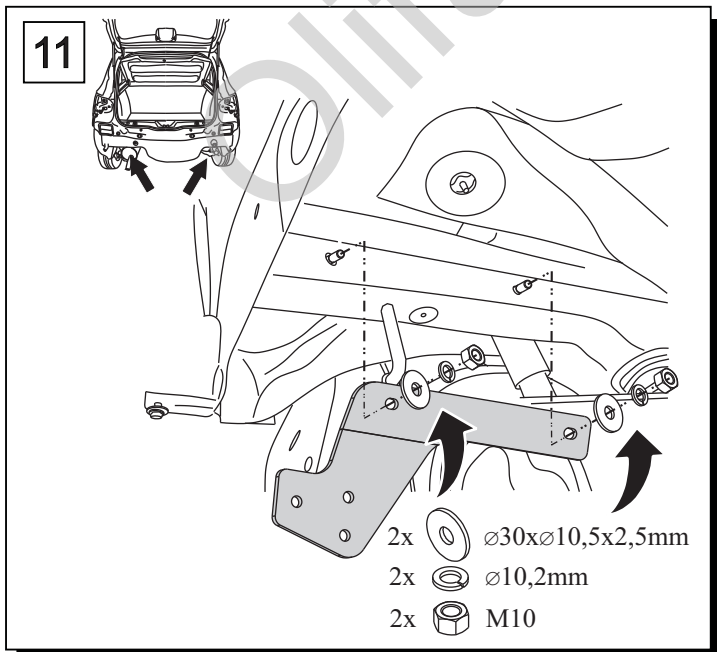
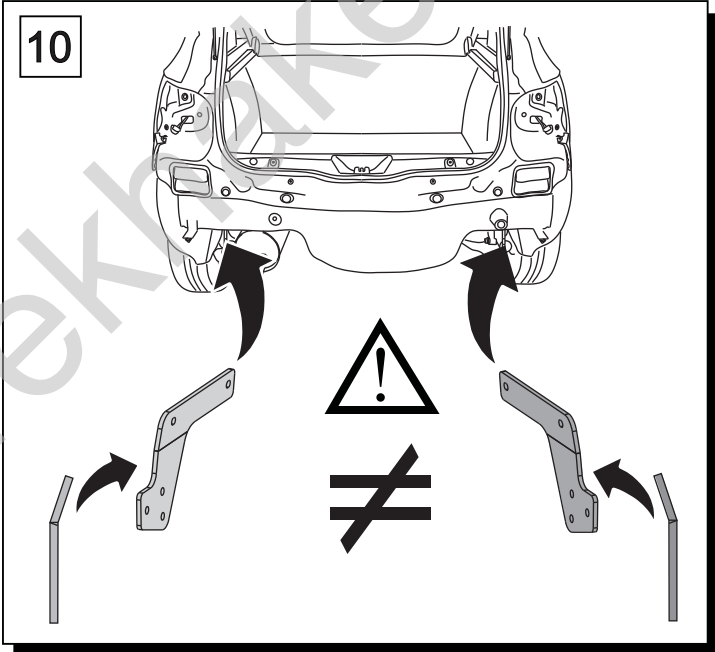
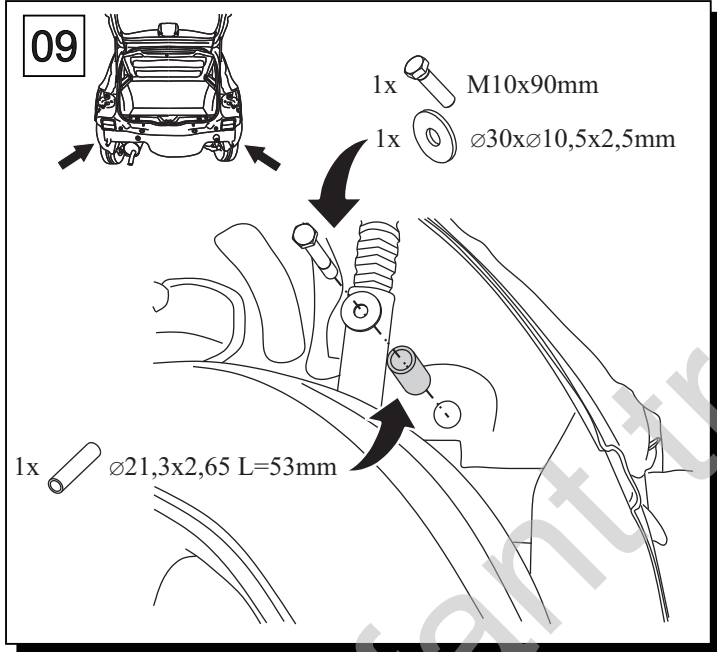
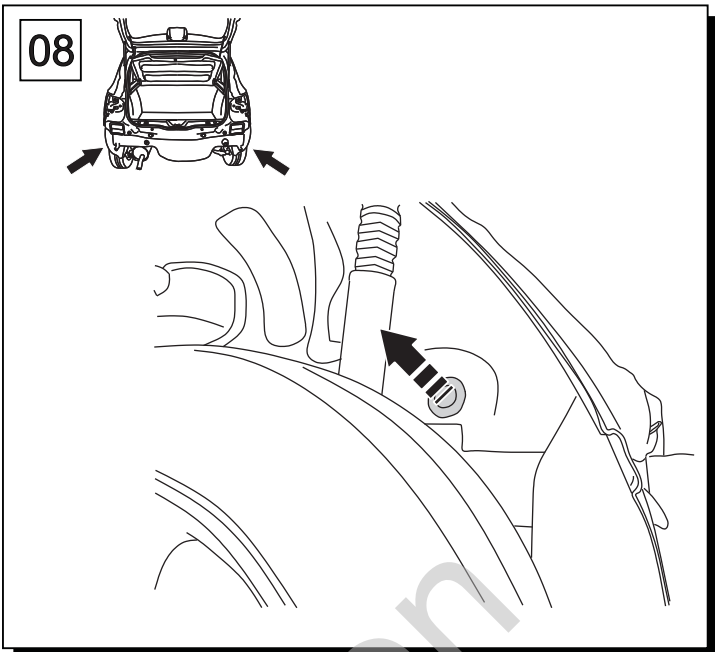
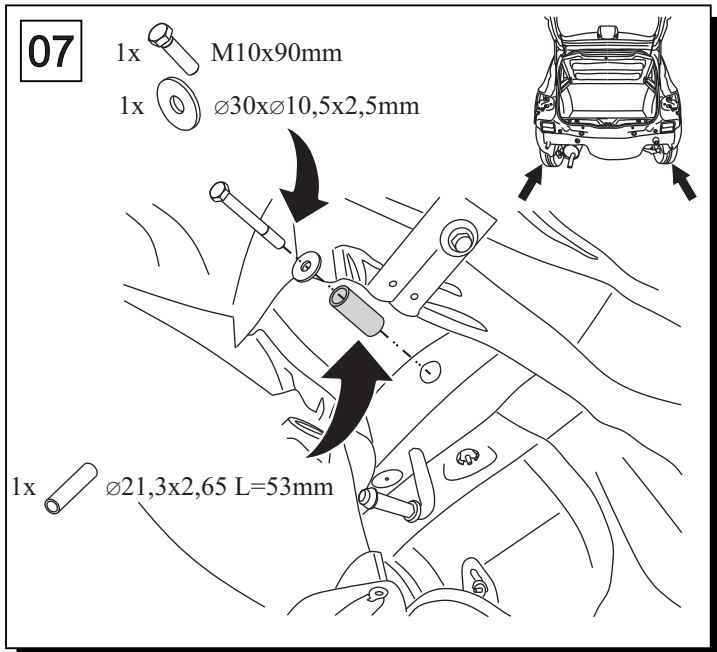


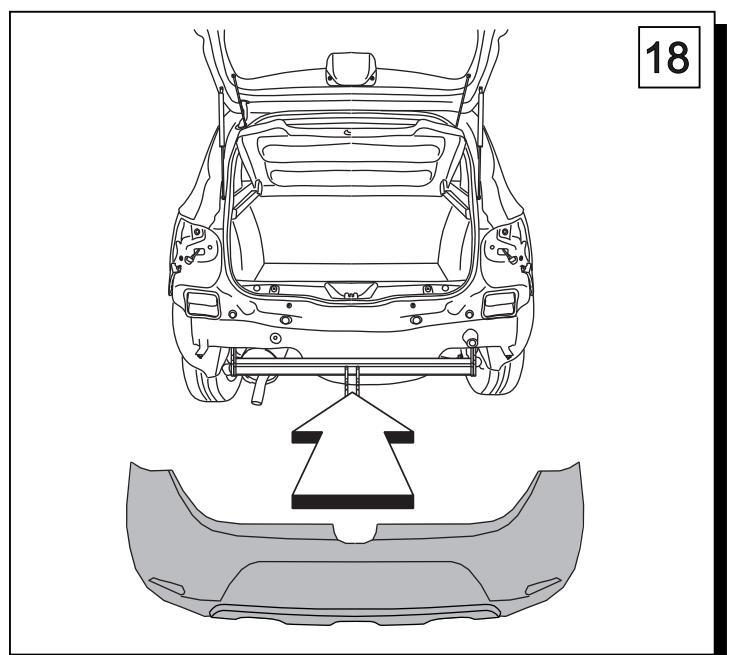
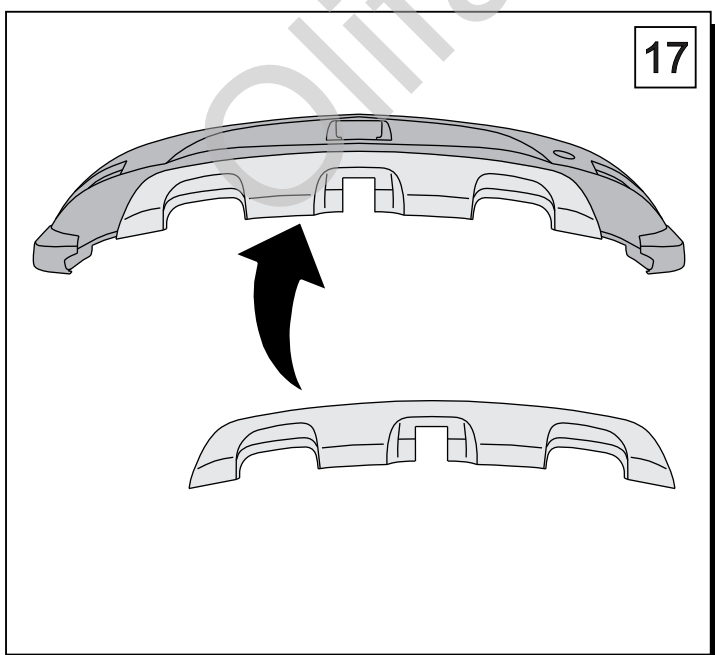
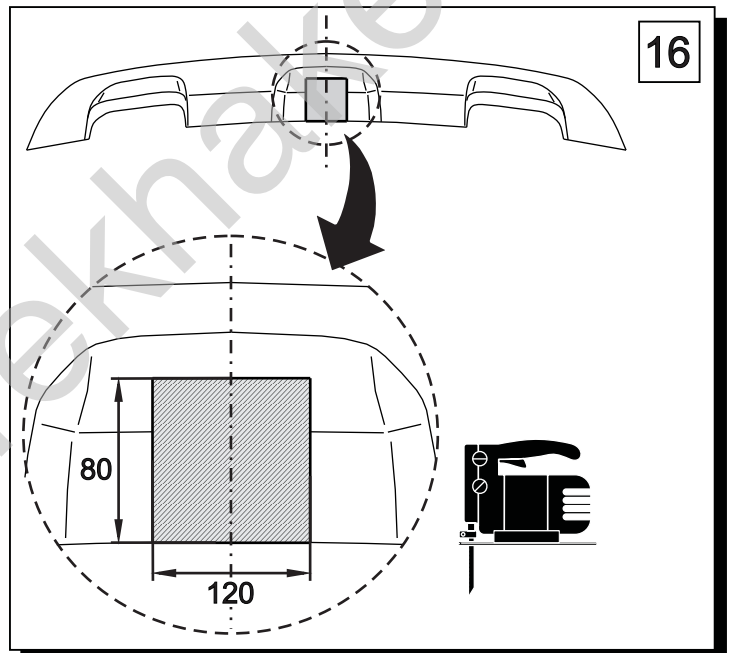
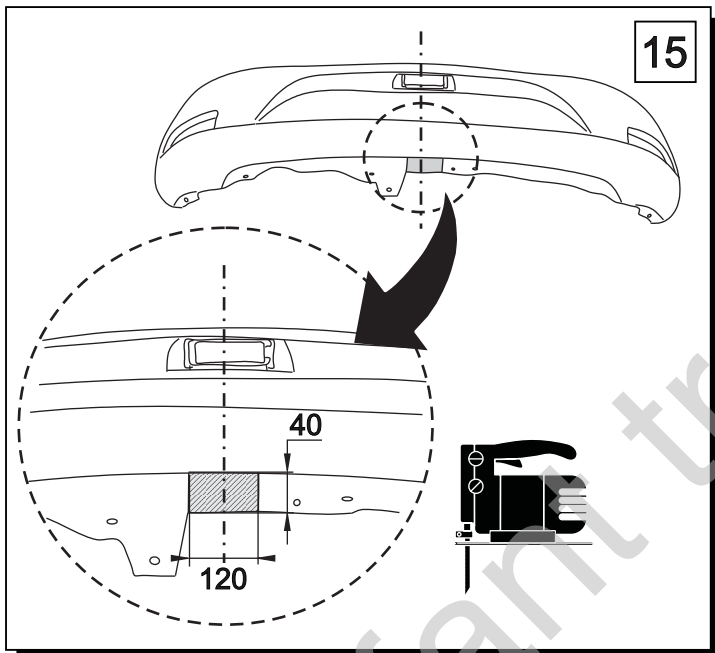
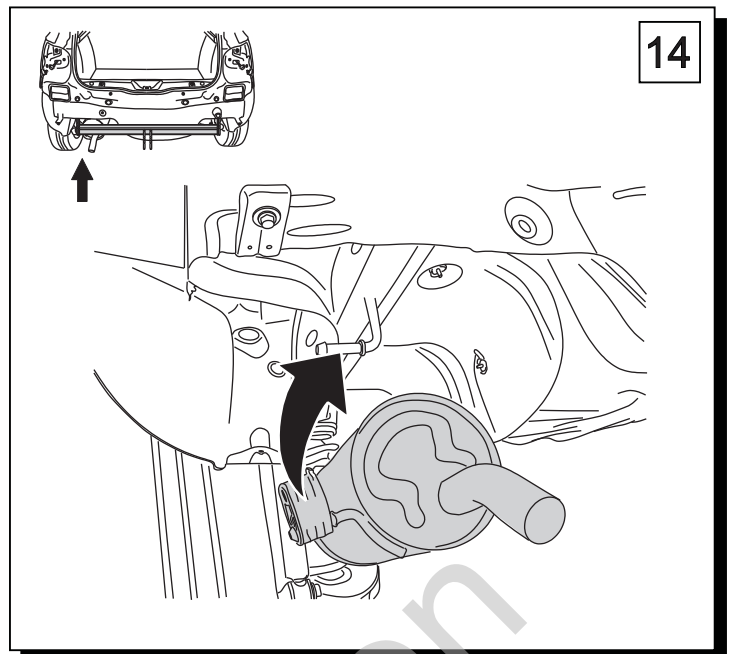
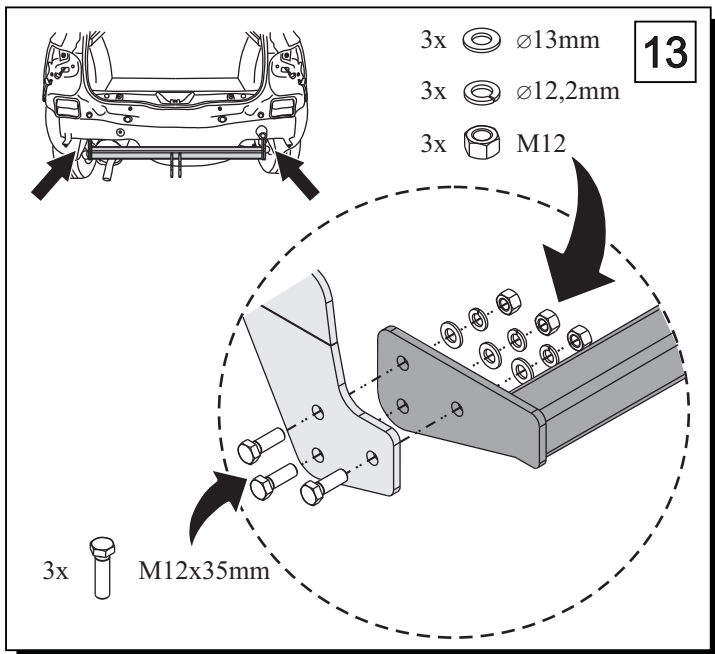
05



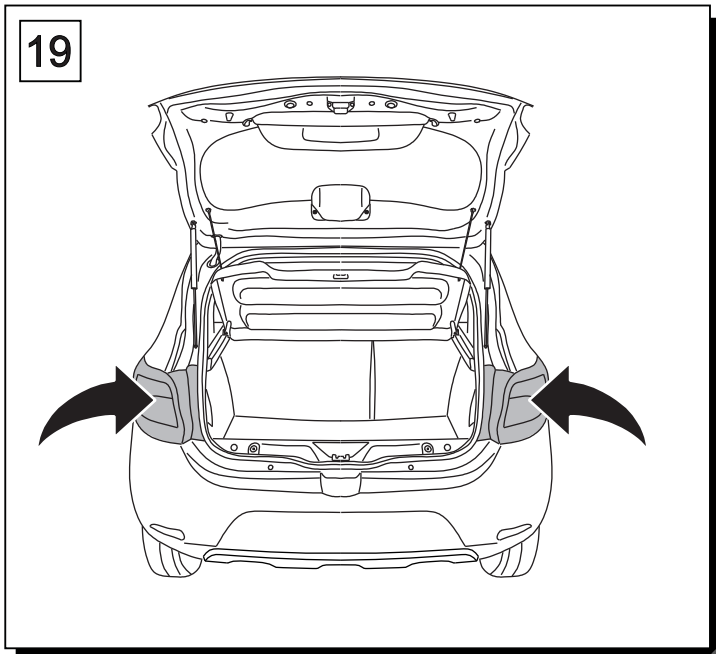
06







19



20

