

AUTO-HAK Sp. z o.o.

ul. Słoneczna 16K 76-200 SŁUPSK
POLAND

tel/fax +48 59 8 414 414; +48 59 8 414 413

e-mail: office@autohak.com.pl

www.autohak.com.pl



AUTO-HAK



RENAULT CLIO IV
GRANDTOUR
KOMBI, ~~GT~~

Cat. no:

G76A



03.2013 → 07.2016

08.2016 →



E20-55R-01 3366



2h

D

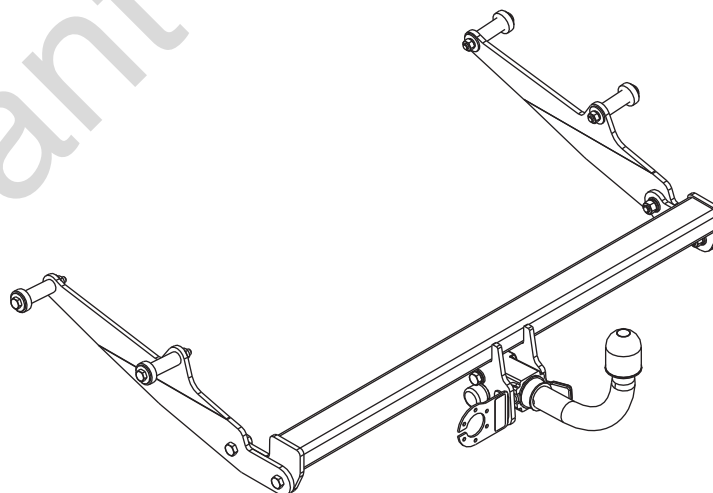
7,69 kN



R=1200 kg



S=75 kg



M6 - 11 Nm
M10 - 50 Nm
M14 - 138 Nm

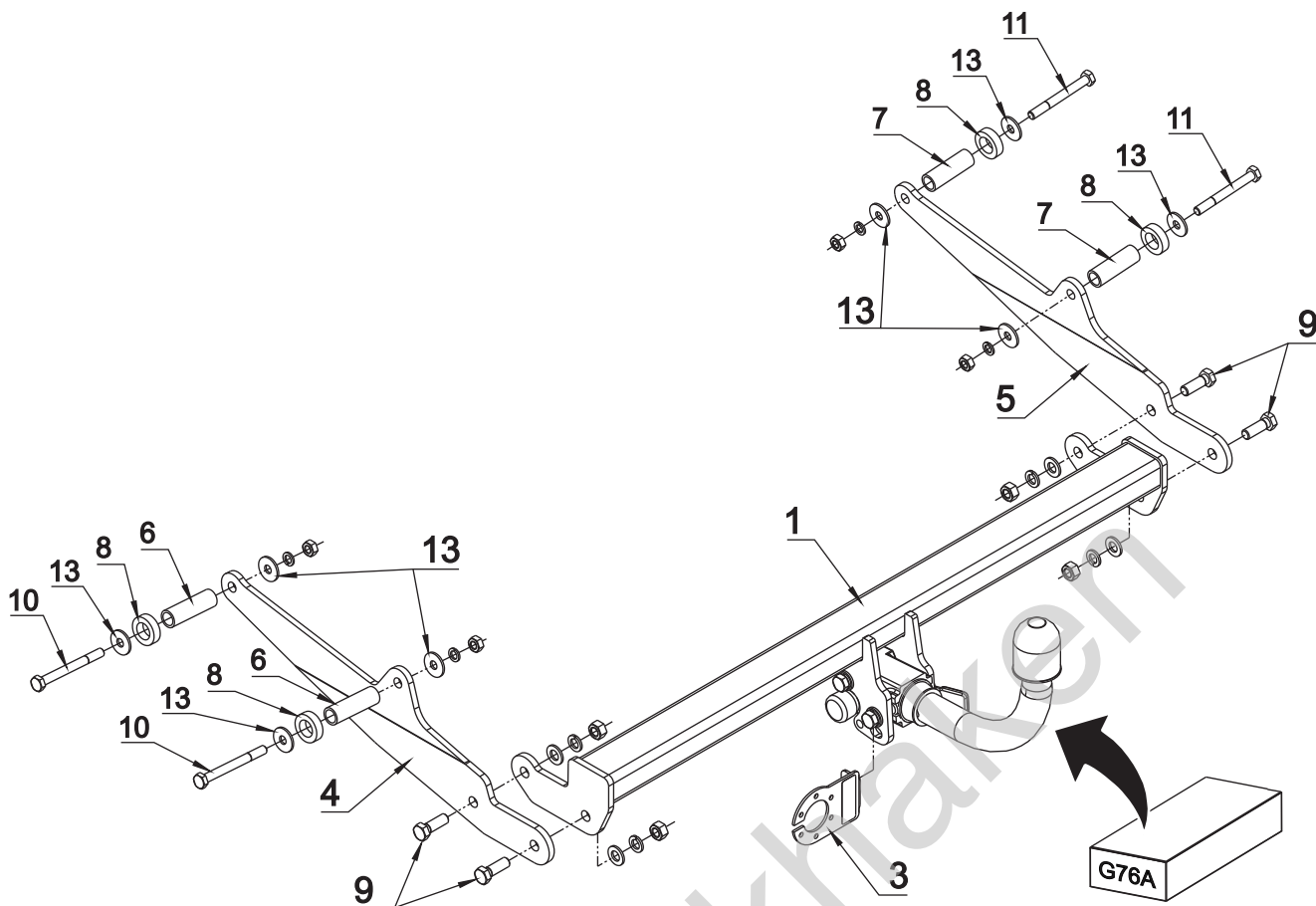
M8 - 25 Nm
M12 - 87 Nm
M16 - 210 Nm

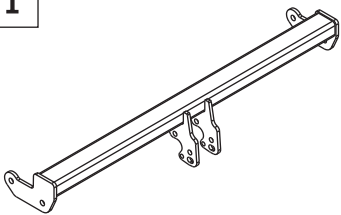

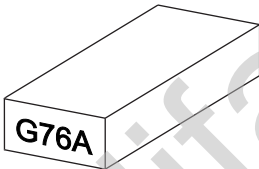

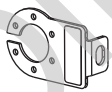





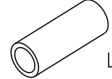

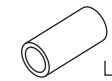



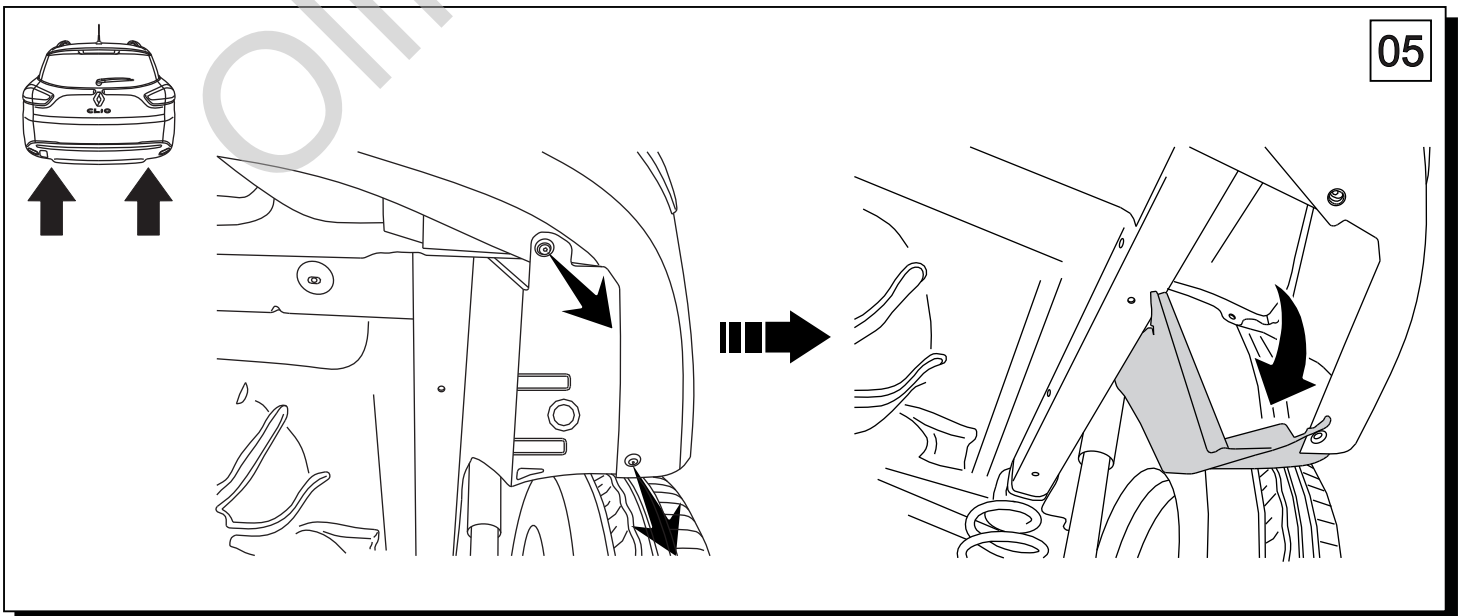
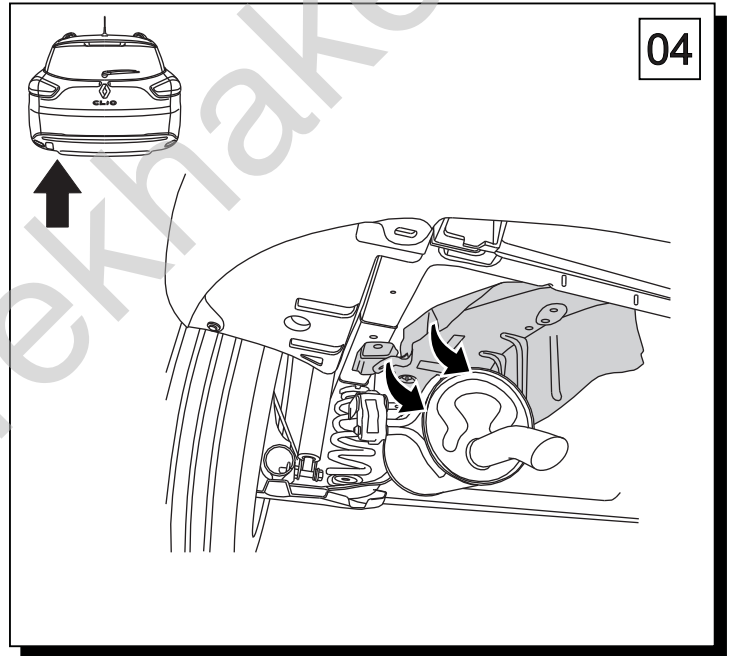
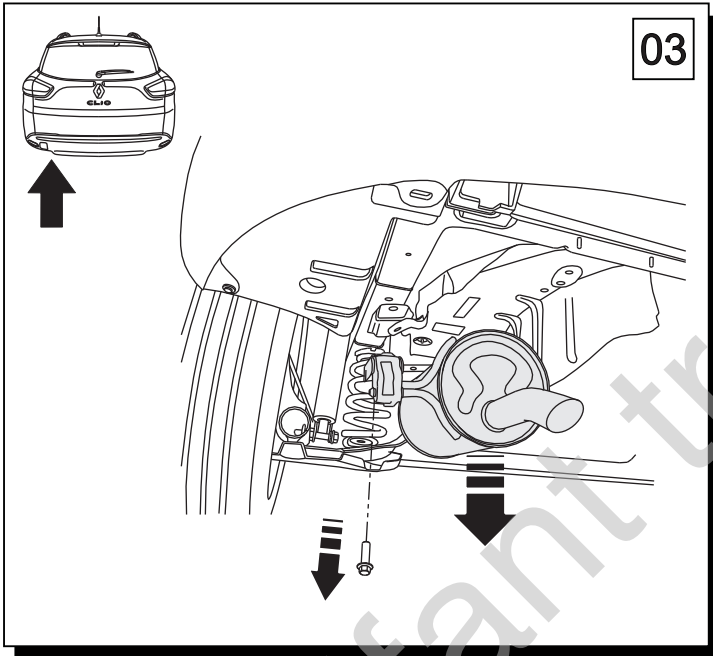
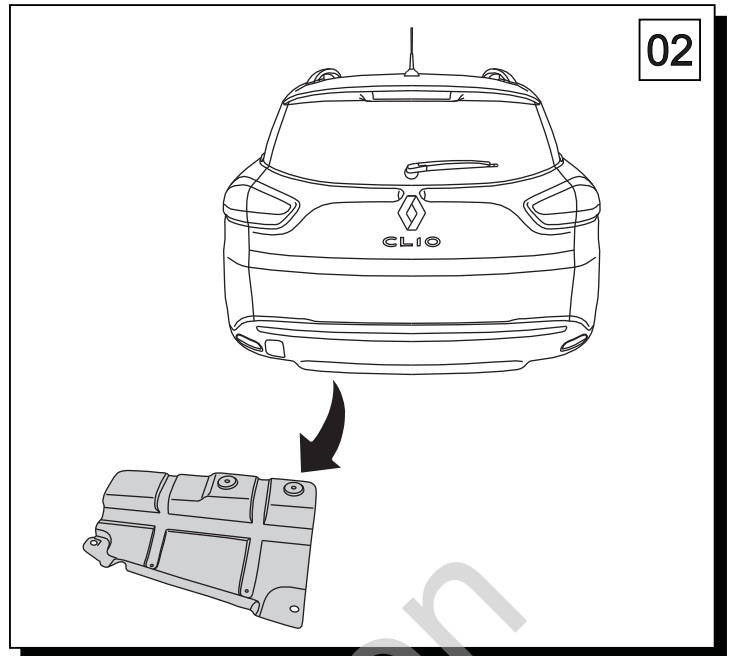
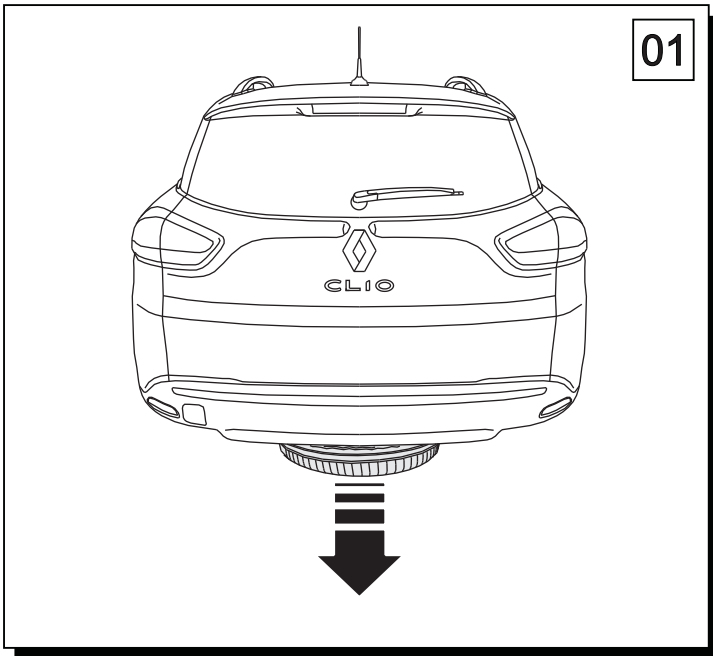
0 km →



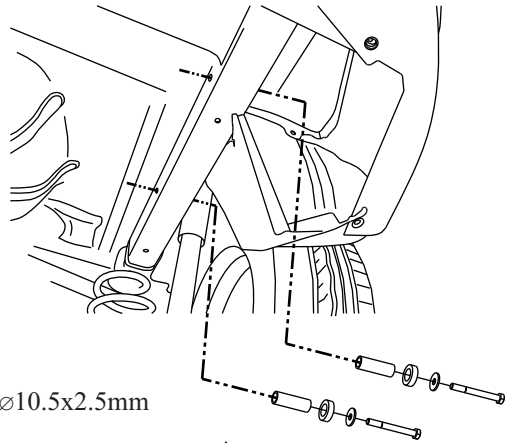
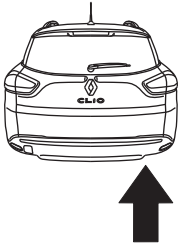
1000 km



	x 1		9	M12x35	x 4
			10	M10x100	x 2
	x 1		11	M10x90	x 2
			12	∅ 13	x 4
	x 1		13	∅ 30x∅10.5x2.5 10 (DIN 9021)	x 8
			14	∅ 12.2	x 4
	x 1		15	∅ 10.2	x 4
			16	M12	x 4
	x 1		17	M10	x 4
			18		x 1
	x 2				
			L=69mm		
	x 2				
		L=63mm			
	x 4				



06



2x $\varnothing 30 \times 10.5 \times 2.5 \text{ mm}$

2x $\varnothing 21 \times 2.65 \text{ L} = 63 \text{ mm}$

2x $\varnothing 35 \times 21 \text{ L} = 10 \text{ mm}$

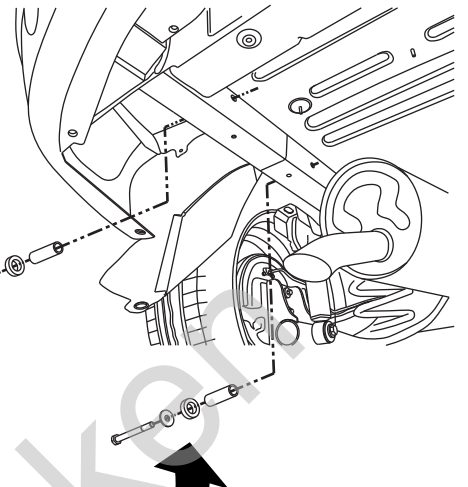
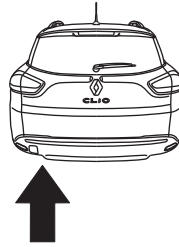
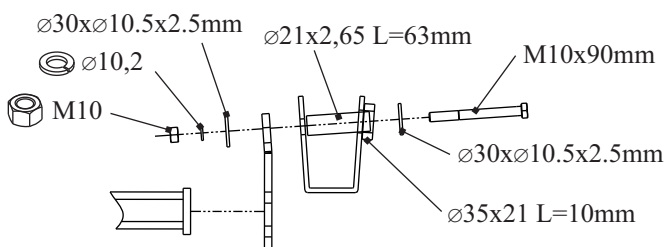
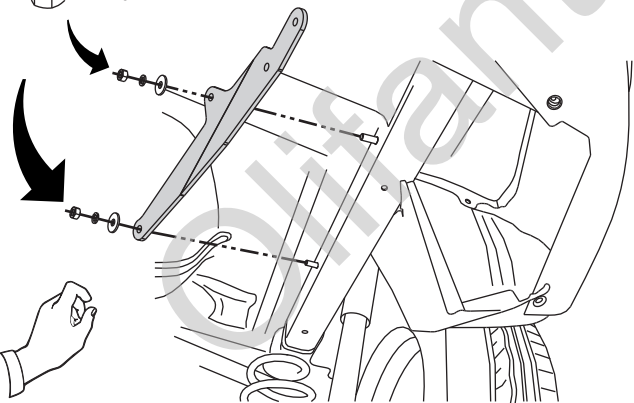
2x M10x90mm



2x $\varnothing 30 \times 10.5 \times 2.5 \text{ mm}$

2x $\varnothing 10,2$

2x M10



2x $\varnothing 30 \times 10.5 \times 2.5 \text{ mm}$

2x $\varnothing 21 \times 2.65 \text{ L} = 69 \text{ mm}$

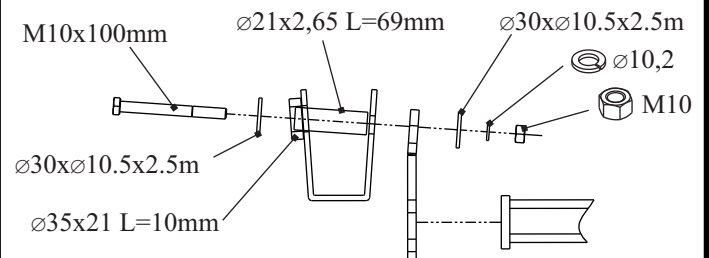
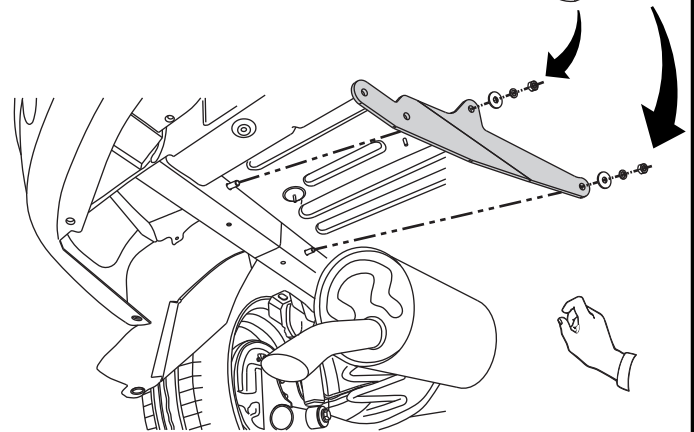
2x $\varnothing 35 \times 21 \text{ L} = 10 \text{ mm}$

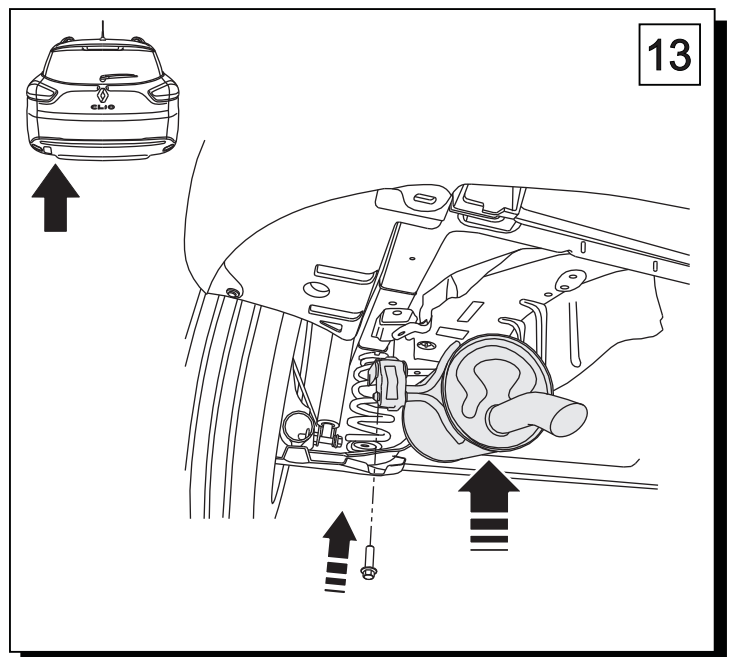
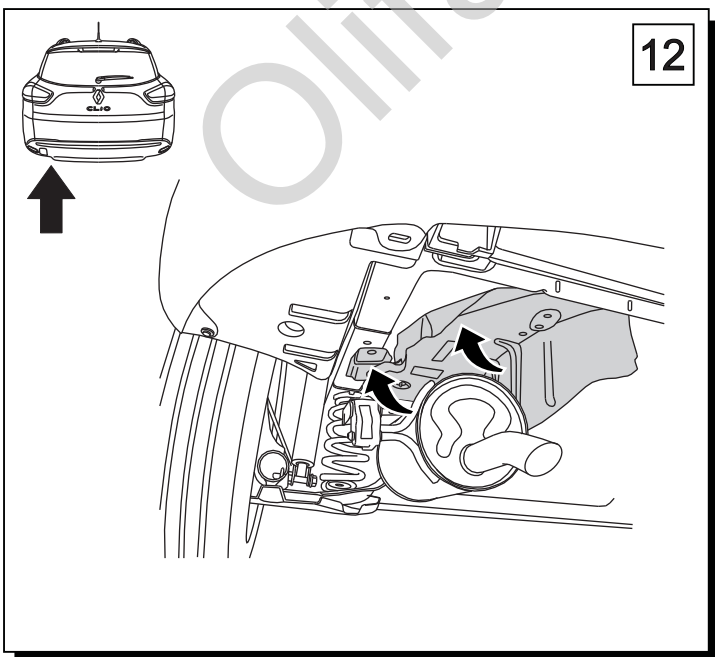
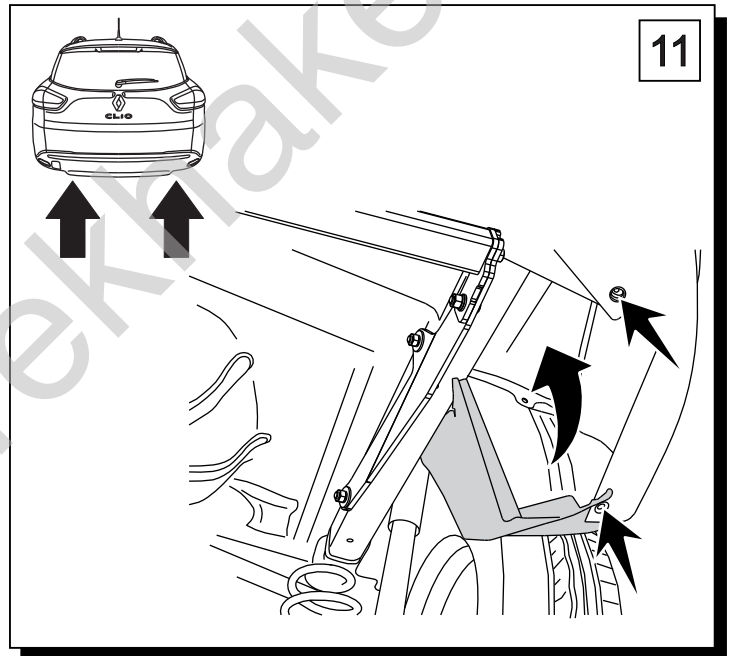
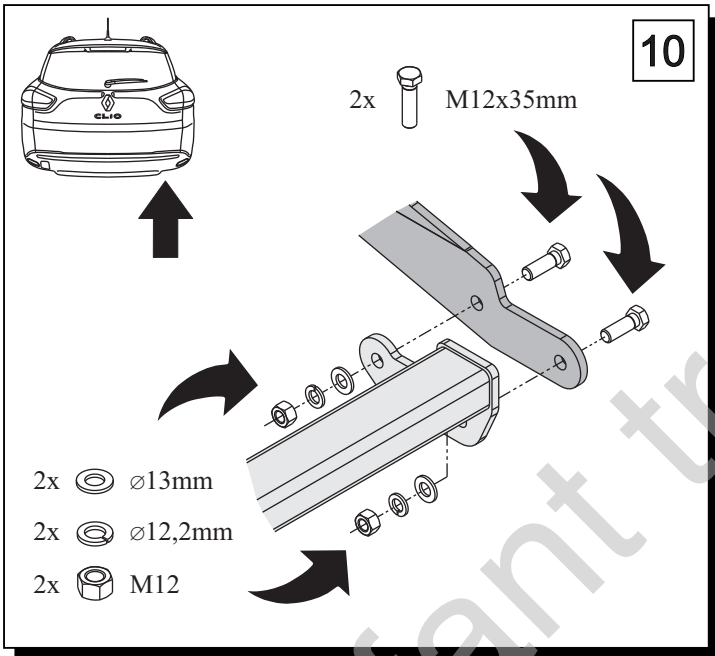
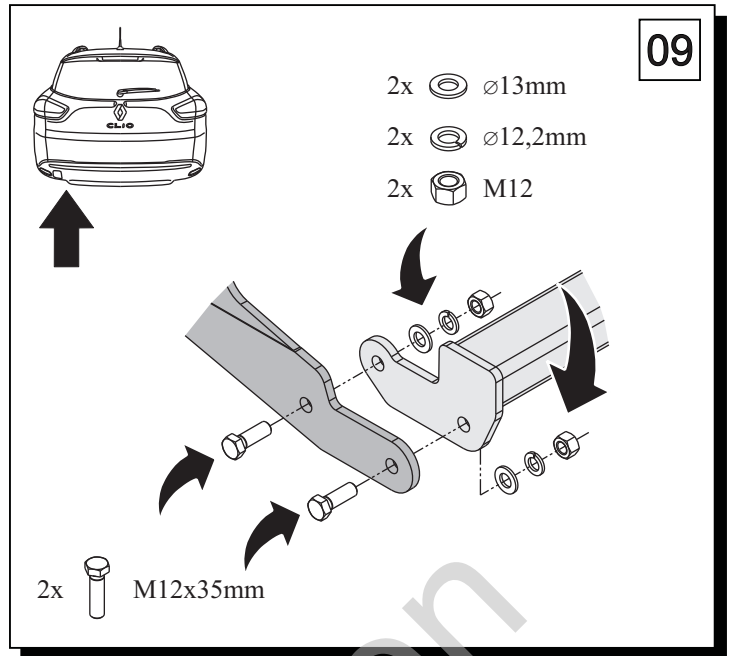
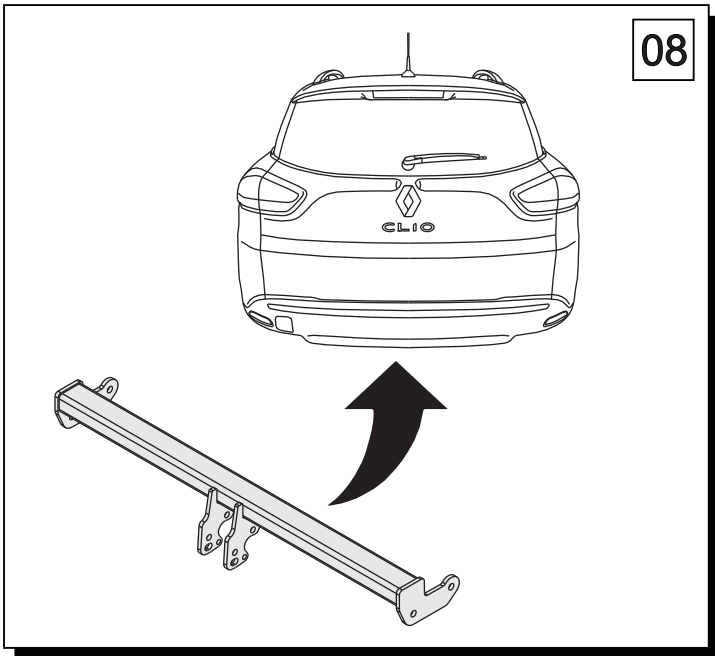
2x M10x100mm

2x $\varnothing 30 \times 10.5 \times 2.5 \text{ mm}$

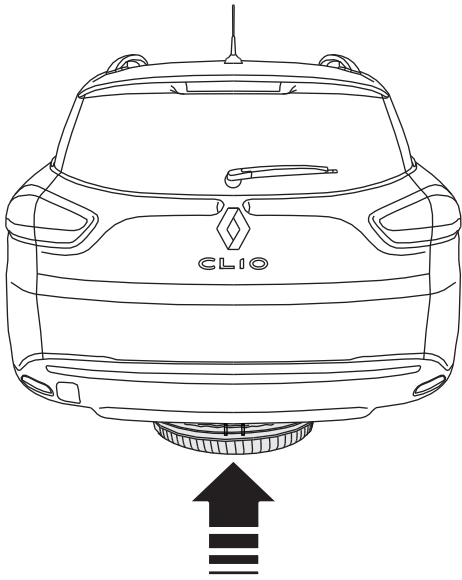
2x $\varnothing 10,2$

2x M10

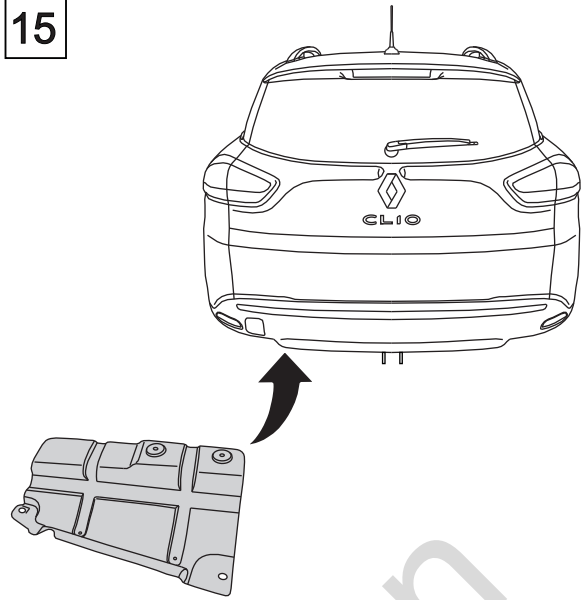




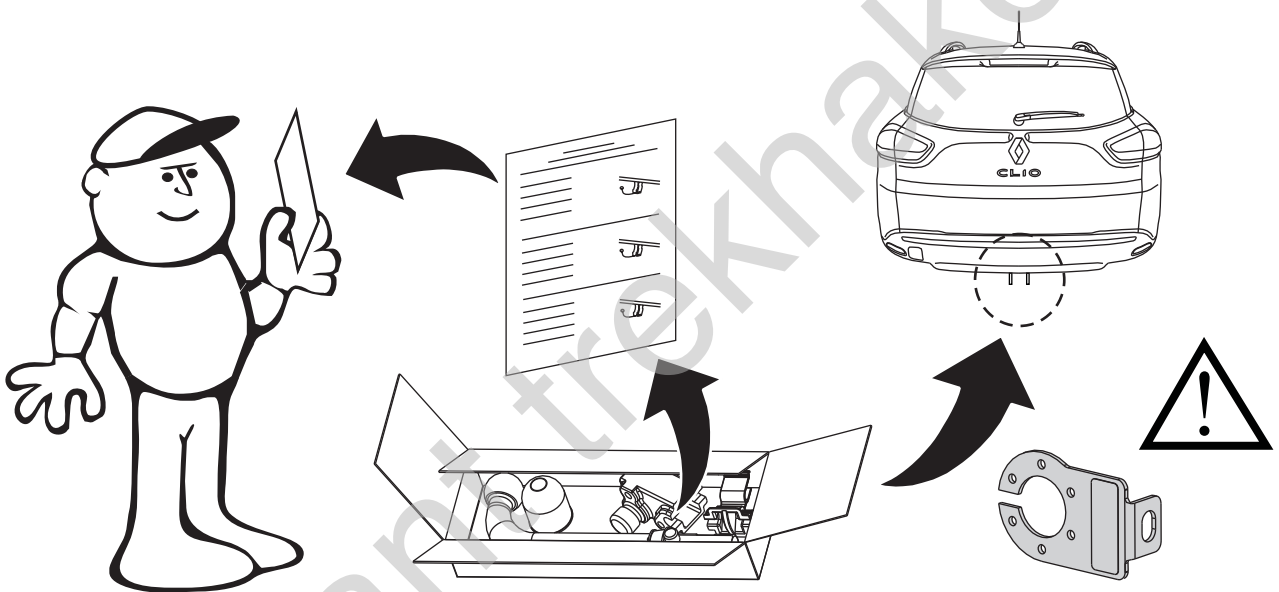
14



15



16



M6 - 11 Nm
 M10 - 50 Nm
 M14 - 138 Nm

M8 - 25 Nm
 M12 - 87 Nm
 M16 - 210 Nm



0 km



1000 km