

AUTO-HAK Sp. z o.o.

ul. Słoneczna 16K 76-200 SŁUPSK
POLAND

tel/fax +48 59 8 414 414; +48 59 8 414 413

e-mail: office@autohak.com.pl

www.autohak.com.pl



AUTO-HAK



DACIA SANDERO 5D

(also with factory-fitted
LPG installation)

Cat. no:

G75A



01.2013 → 11.2016
12.2016 → 09.2020



E20-55R-01 3171



2h



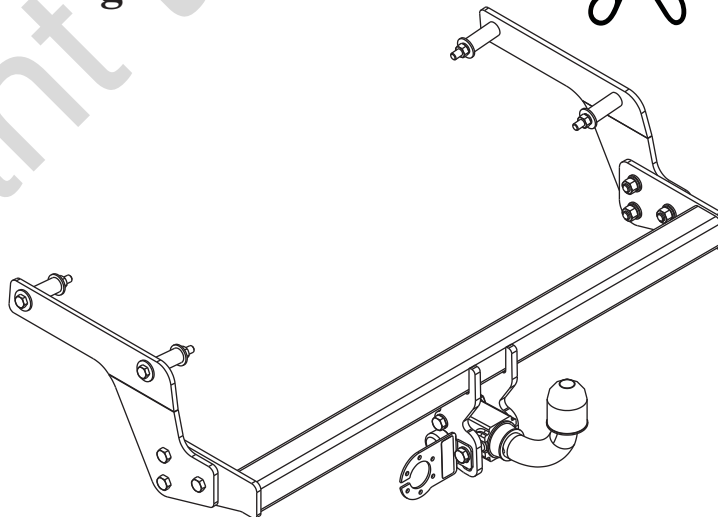
6,47 kN



R=1100 kg



S=75 kg



M6 - 11 Nm
M10 - 50 Nm
M14 - 138 Nm

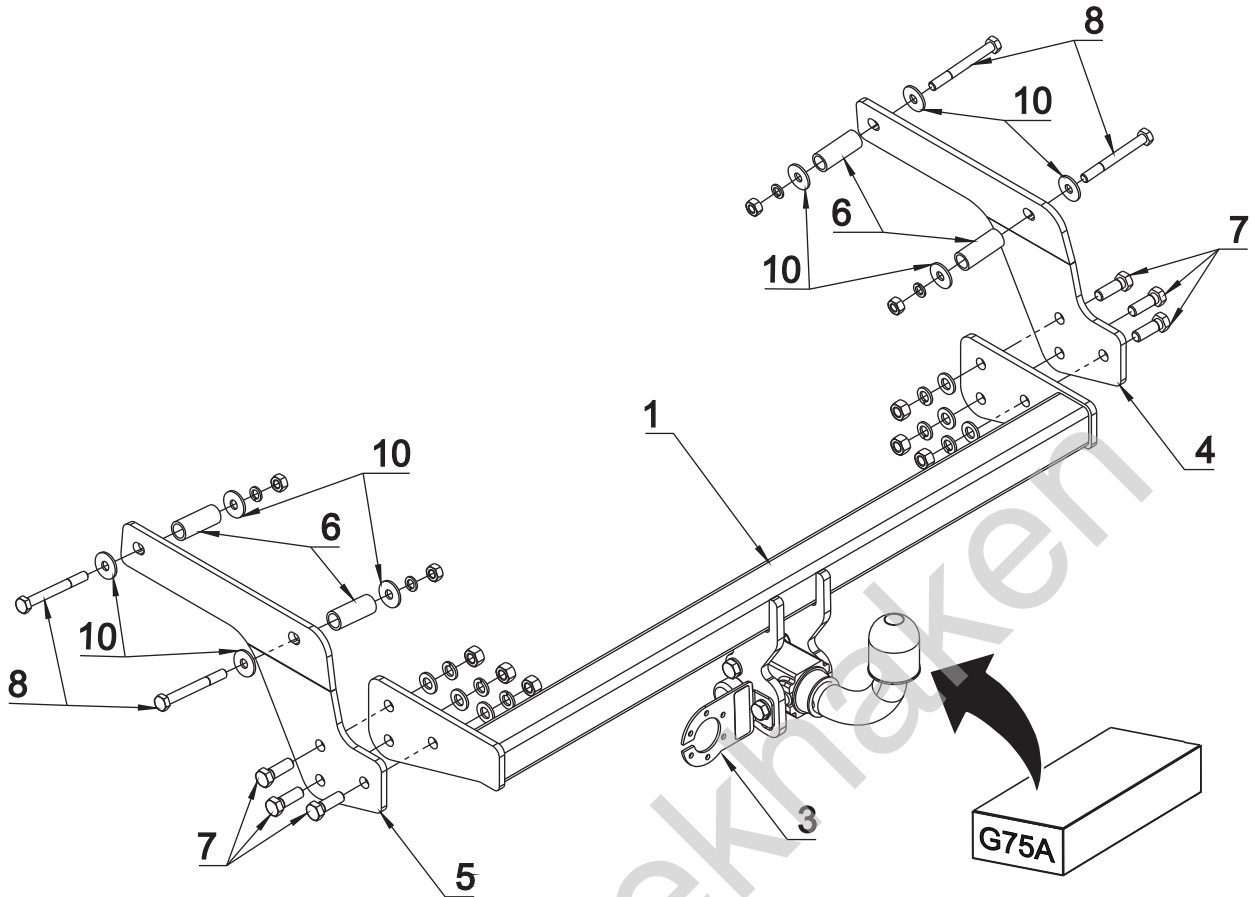
M8 - 25 Nm
M12 - 87 Nm
M16 - 210 Nm



0 km →

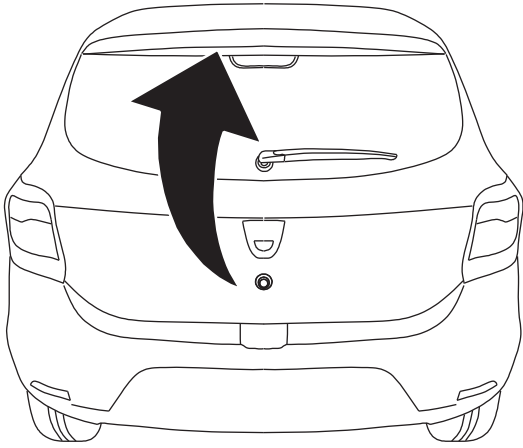


1000 km

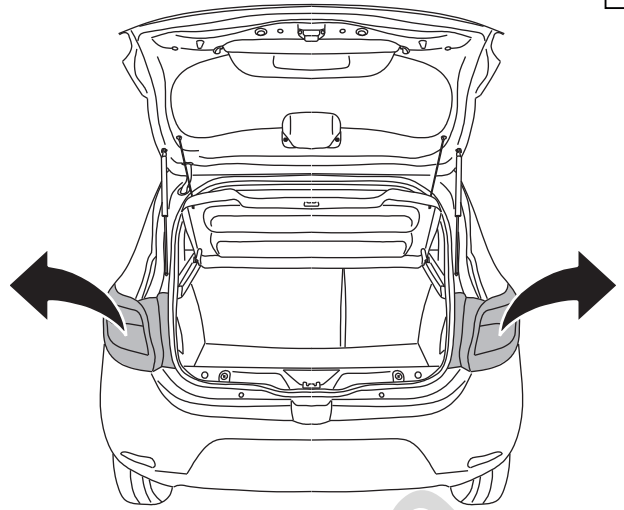


1	x 1		7	M12x35	x 6
			8	M10x90	x 4
2	x 1		9	∅ 13	x 6
			10	∅ 30x∅10.5x2.5 10 (DIN 9021)	x 8
			11	∅ 12.2	x 6
			12	∅ 10.2	x 4
3	x 1		13	M12	x 6
			14	M10	x 4
4	x 1				
5	x 1				
6	x 4			∅21,3x2,65mm L=53mm	

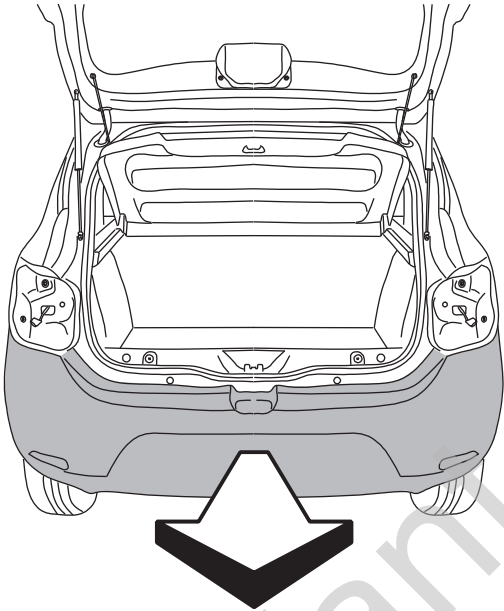
01



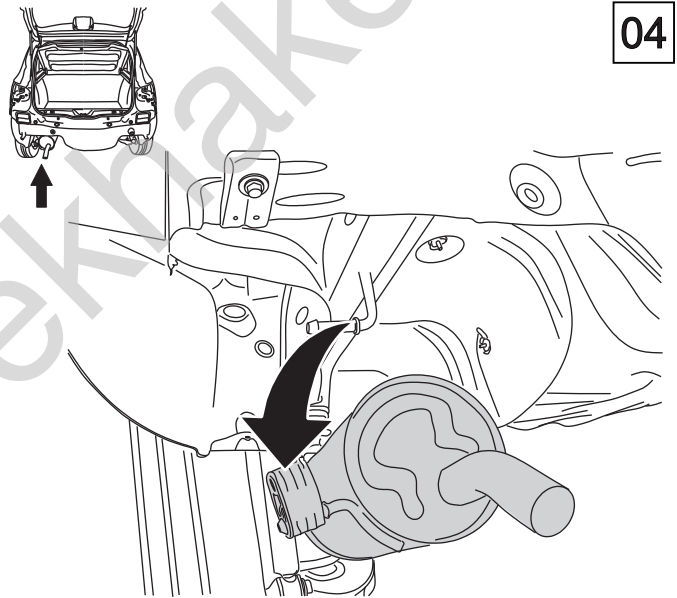
02



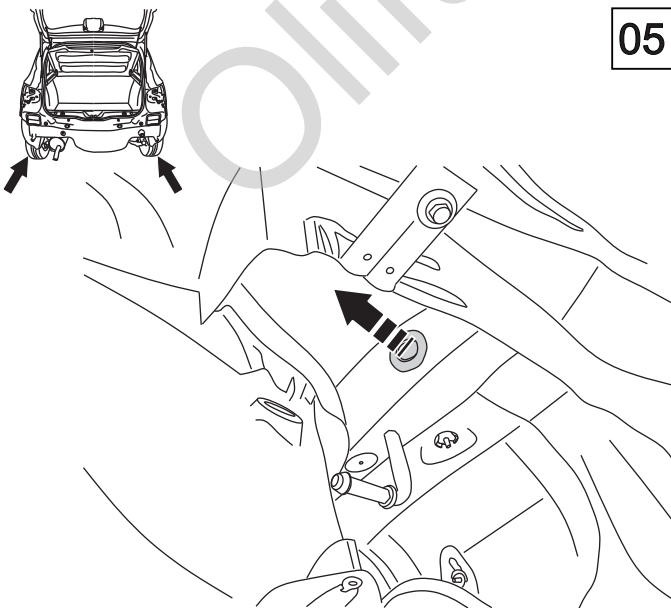
03



04



05



06

