

AUTO-HAK Sp. z o.o.

ul. Słoneczna 16K 76-200 SŁUPSK

POLAND

tel/fax +48 59 8 414 414; +48 59 8 414 413

e-mail: office@autohak.com.pl

www.autohak.com.pl



AUTO-HAK



Renault Clio IV 3/5D

~~GT~~ ~~RS~~

Nr kat.

G74A



11.2012 → 07.2016

08.2016 → 07.2019



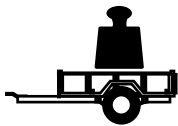
E20-55R-01 3017



2h

D

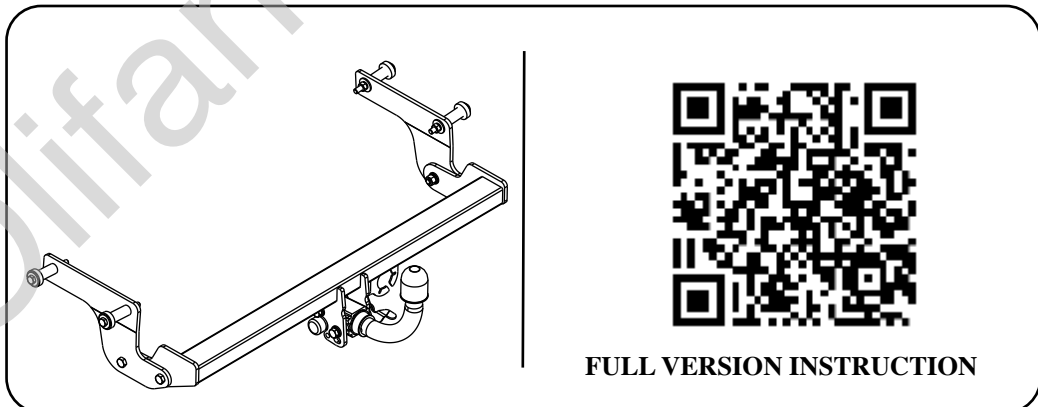
7,06 kN



R=1200 kg



S=75 kg



FULL VERSION INSTRUCTION



M6 - 11 Nm
M10 - 50 Nm
M14 - 138 Nm

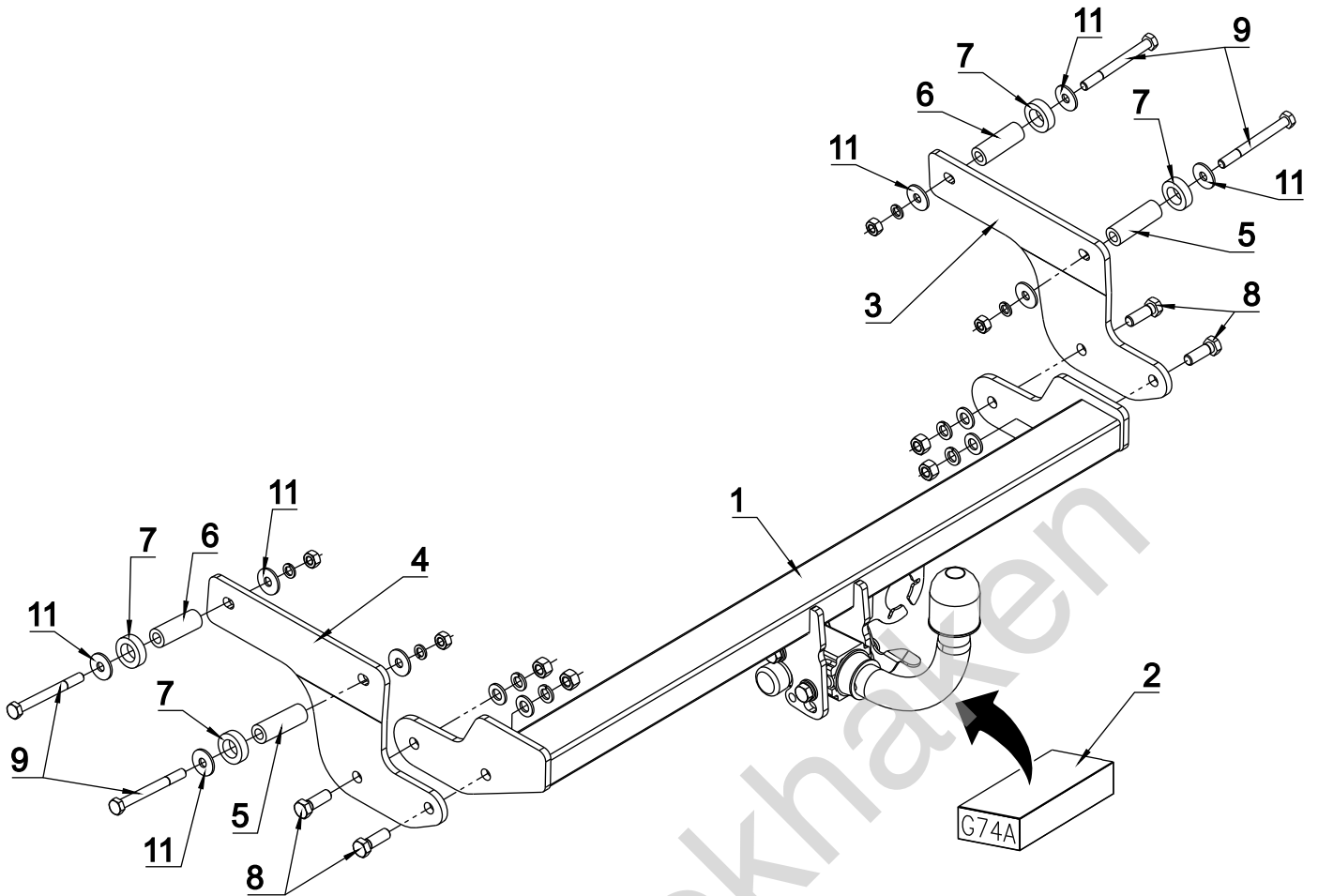
M8 - 25 Nm
M12 - 87 Nm
M16 - 210 Nm

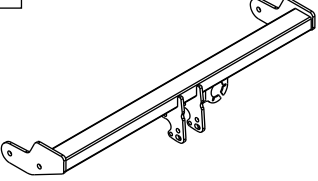


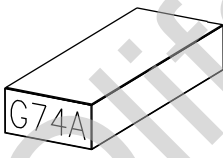

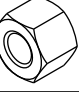


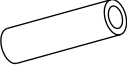
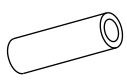



0 km →



1000 km



	x1		8 M12x35	4	
				9 M10x100	4
				10 \varnothing 13	4
				11 \varnothing 30x \varnothing 10.5x2.5	8
				10 DIN 9021	
 Art.nr-KL1G74A	x1		12 \varnothing 12.2	4	
			13 \varnothing 10.2	4	
				14 M12	4
				15 M10	4
	x1				
	x1				
	x2		\varnothing 20x4, L=64mm		
	x2		\varnothing 20x4, L=59mm		
	x4		\varnothing 35x \varnothing 21x10mm		

