

# PPUH AUTO-HAK Sp.J.

Henryk & Zbigniew Nejman  
ul. Słoneczna 16K 76-200 SŁUPSK  
POLAND

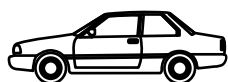
tel/fax +48 059 8-414-414; 8-414-413

e-mail: [office@autohak.com.pl](mailto:office@autohak.com.pl)

[www.autohak.com.pl](http://www.autohak.com.pl)



# AUTO-HAK



## RENAULT LATITUDE

Cat. no:

**G69A**



11.2011 →

e20

e20\*94/20\*1475\*00

D

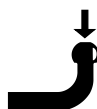
8,33 kN



2h



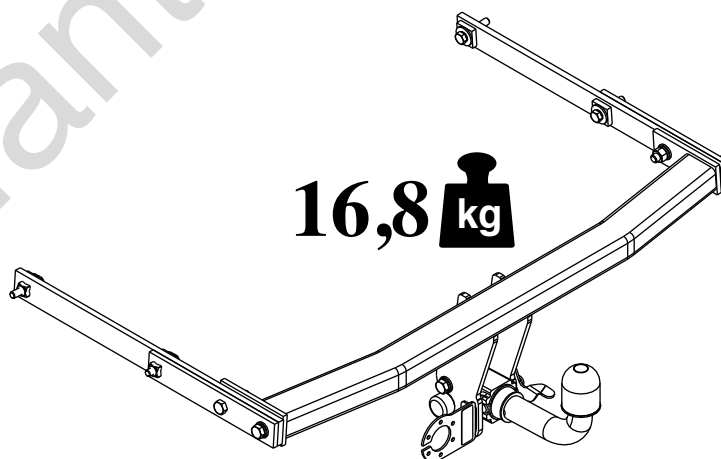
R=1500 kg



S=75 kg



16,8 kg



M6 - 11 Nm  
M10 - 50 Nm  
M14 - 138 Nm

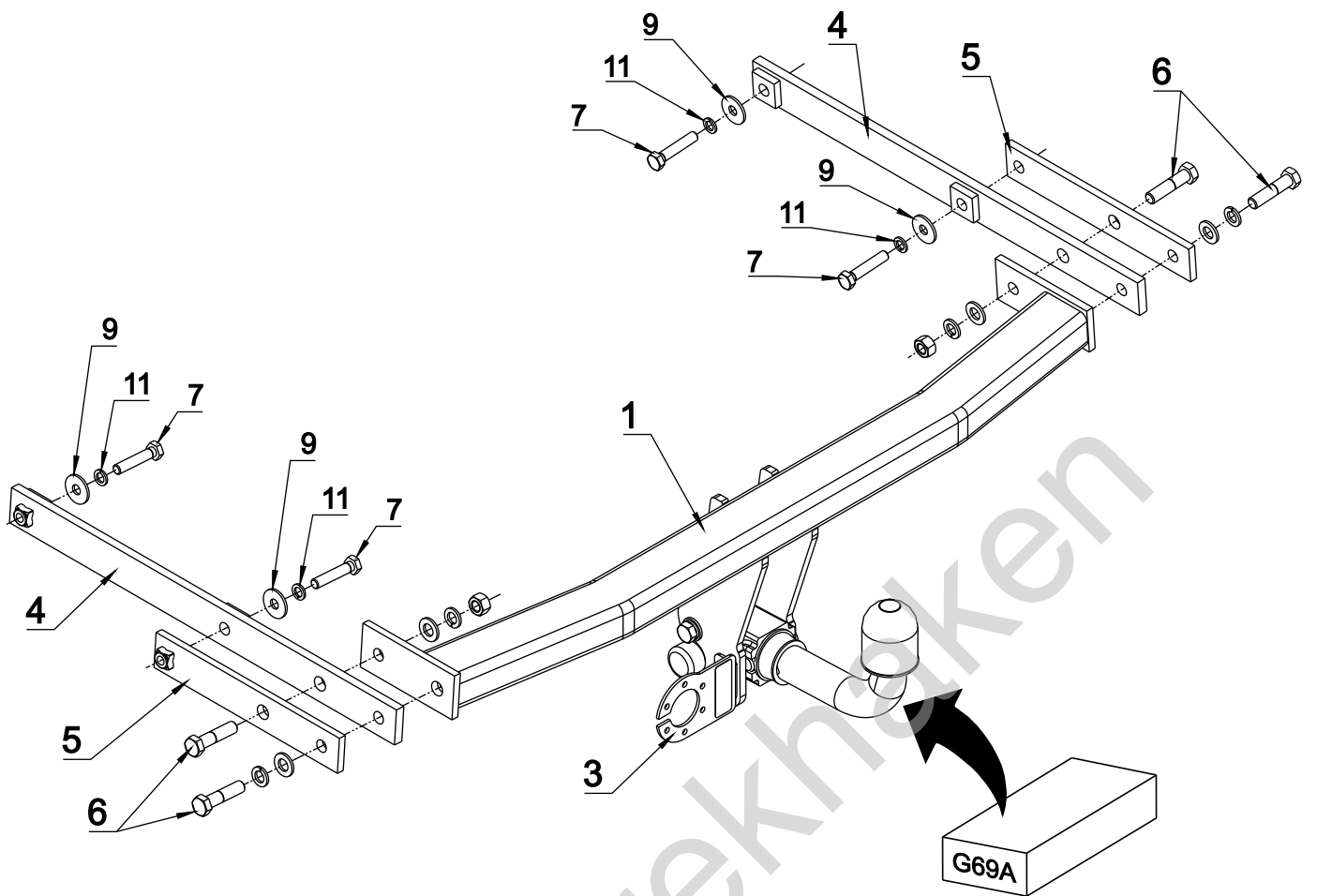
M8 - 25 Nm  
M12 - 87 Nm  
M16 - 210 Nm

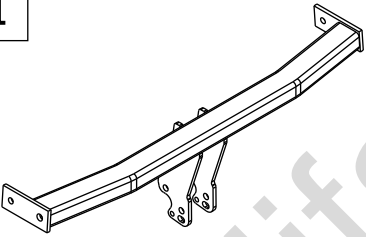
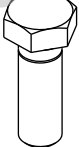
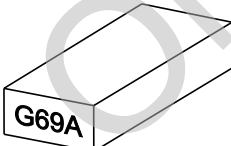

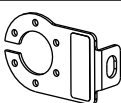

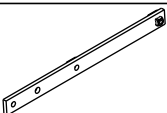

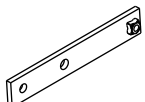


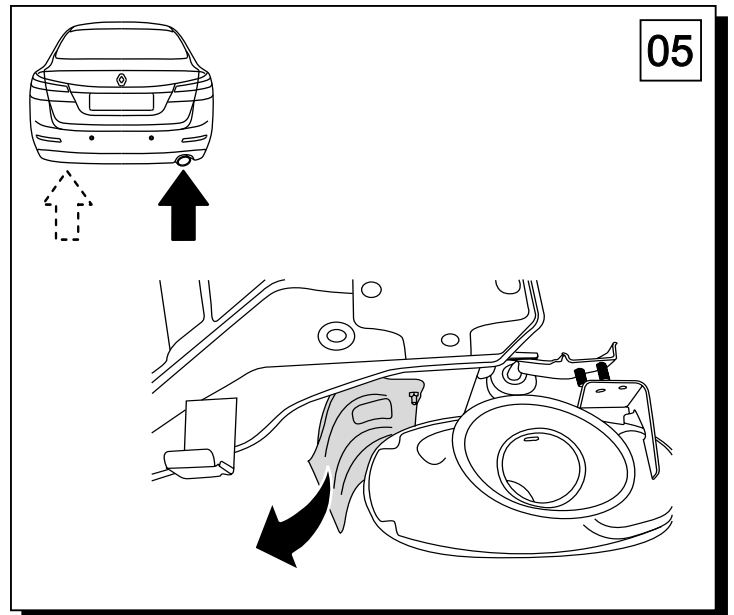
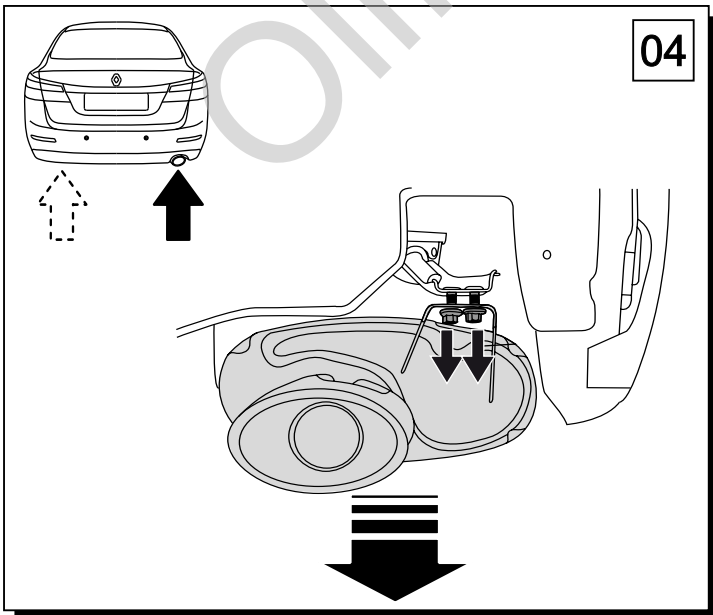
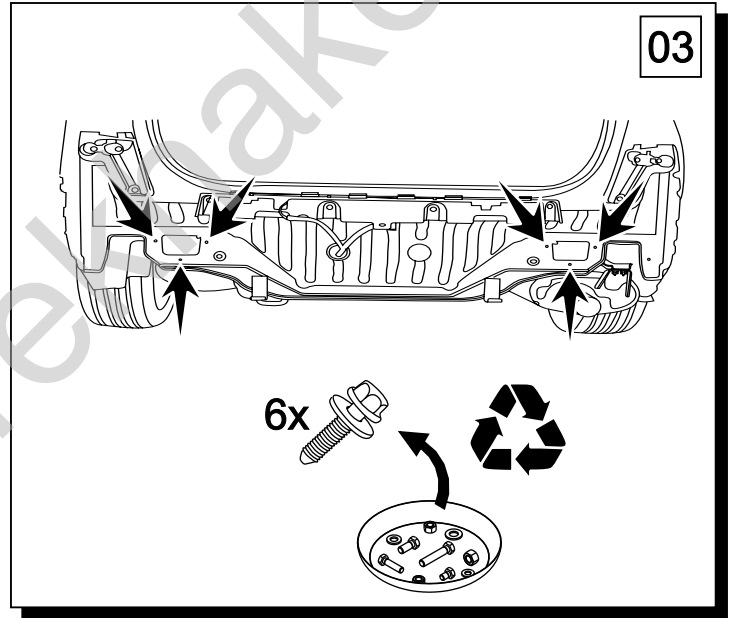
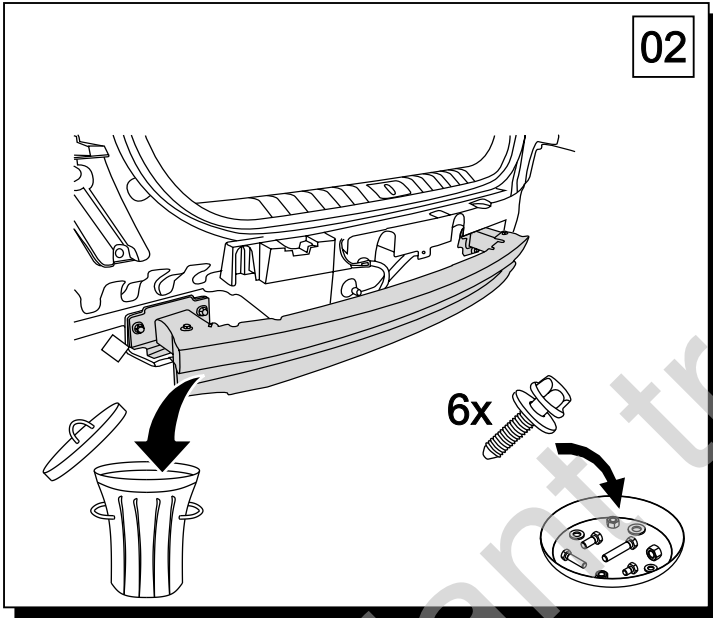
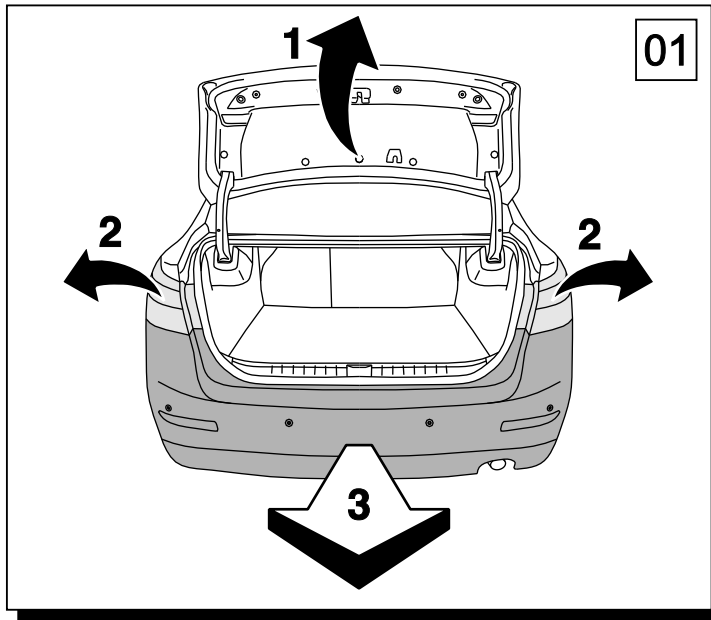
0 km →



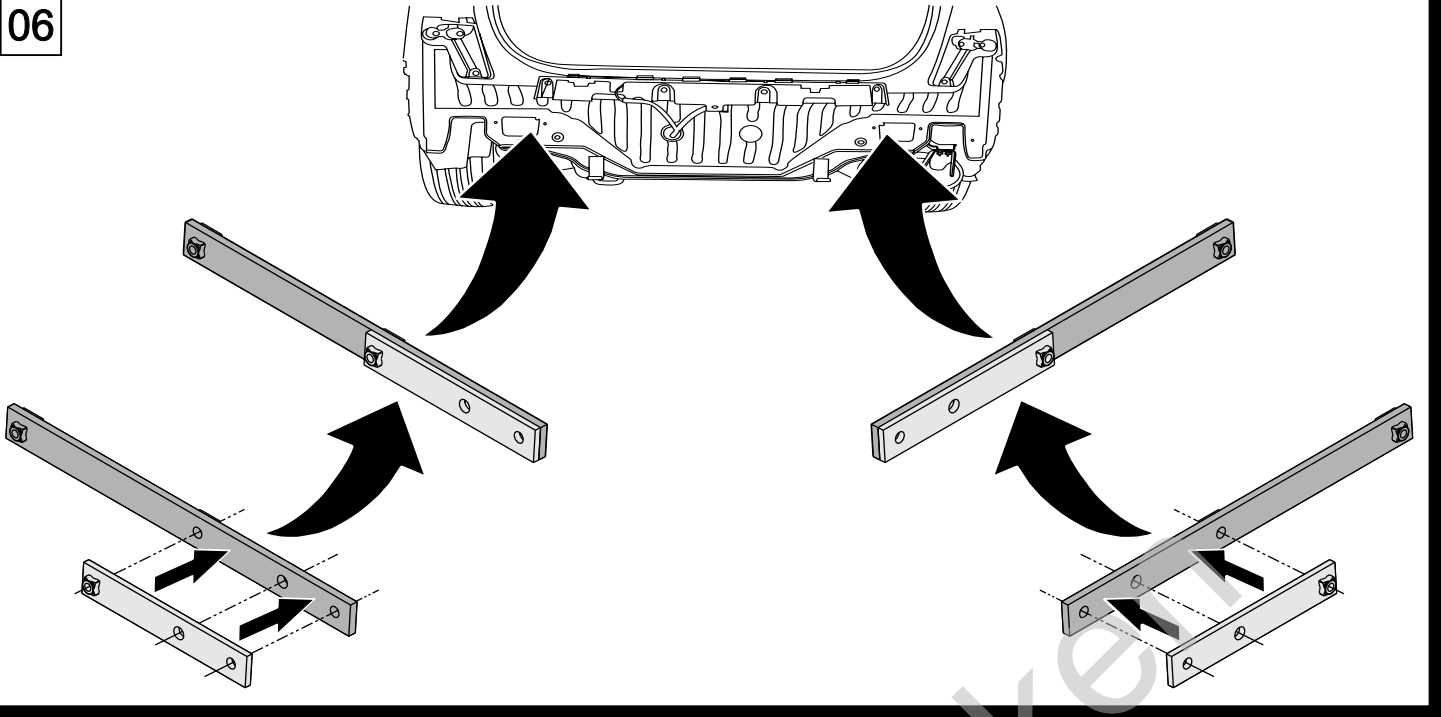
1000 km



1		x1		6	M12x50	x4
				7	M10x50	x4
2		x1		8	∅ 13	x4
				9	∅ 30x∅10.5x2.5 10 (DIN 9021)	x4
3		x1		10	∅ 12.2	x6
				11	∅ 10.2	x4
4		x2		12	M12	x2
5		x2				



06



07

