

# PPUH AUTO-HAK Sp.J.

Henryk i Zbigniew Nejman  
ul. Słoneczna 16K 76-200 SŁUPSK  
POLAND

tel/fax +48 59 8 414 414; +48 59 8 414 413

e-mail: [office@autohak.com.pl](mailto:office@autohak.com.pl)

[www.autohak.com.pl](http://www.autohak.com.pl)



# AUTO-HAK



## RENAULT MEGANE III GRANDTOUR KOMBI, ~~GTR~~

Cat. no:

**G64A**



07.2009 → 09.2012  
10.2012 → 08.2016



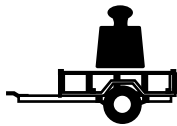
E20-55R-01 5312



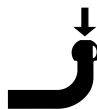
1,5h

**D**

8,2 kN



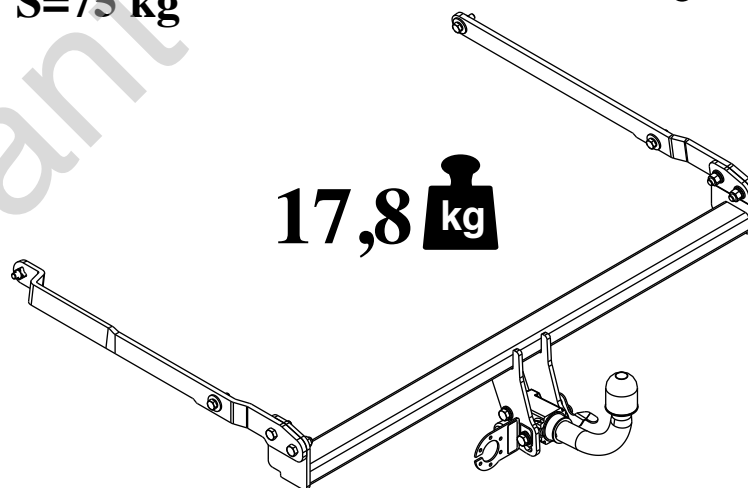
R=1500 kg



S=75 kg



17,8 kg



M6 - 11 Nm  
M10 - 50 Nm  
M14 - 138 Nm

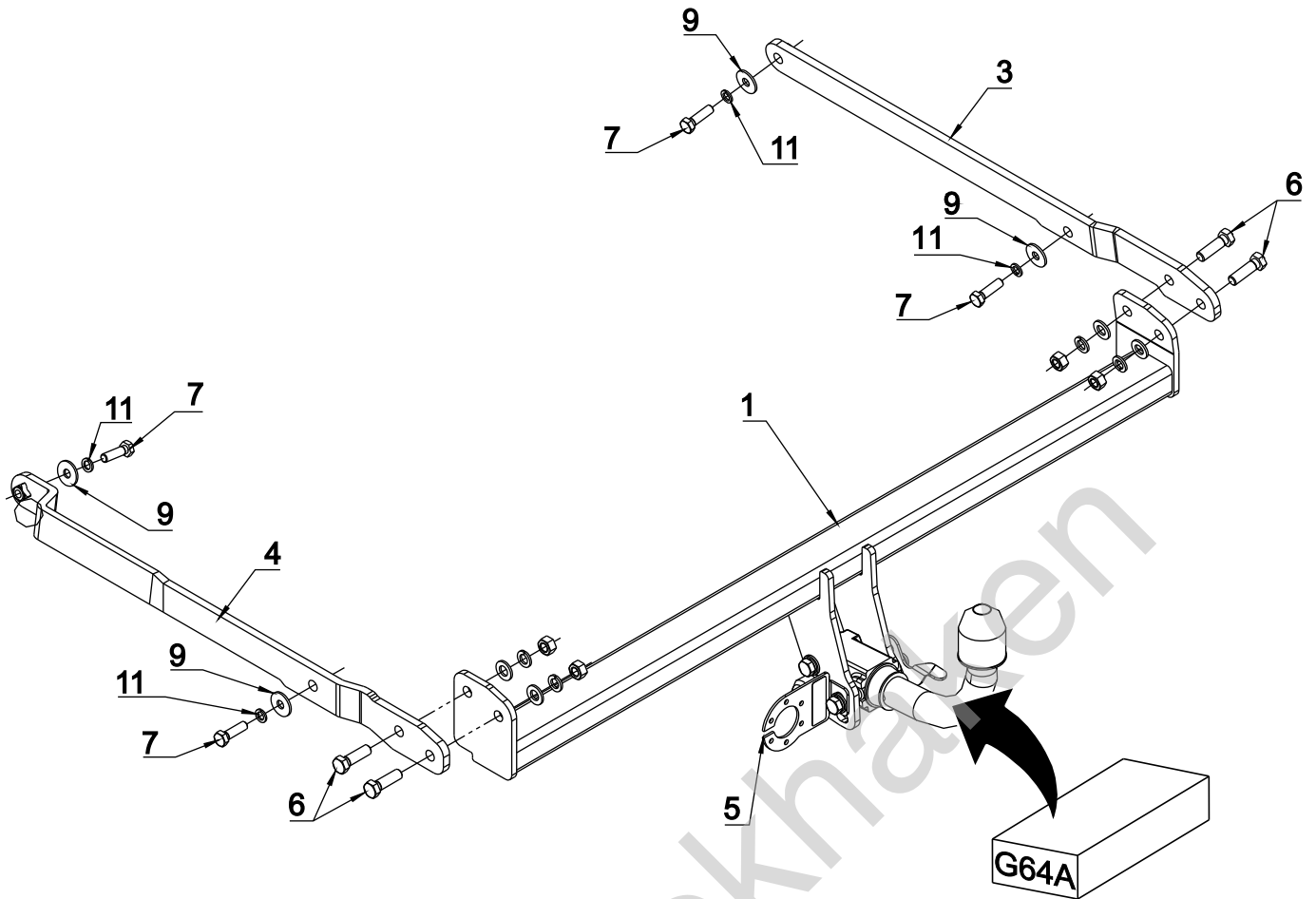
M8 - 25 Nm  
M12 - 87 Nm  
M16 - 210 Nm

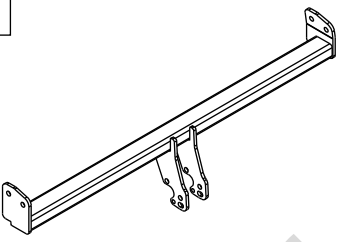

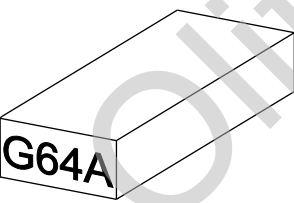

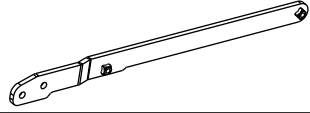

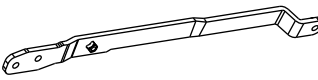

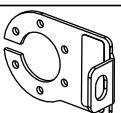


0 km →



1000 km



 <b>1</b>	<b>x1</b>		<b>6</b> M12x40	<b>x4</b>
			<b>7</b> M10x35	<b>x4</b>
 <b>G64A</b> Art.nr-KL1G64A	<b>x1</b>		<b>8</b> $\varnothing$ 13	<b>x4</b>
			<b>9</b> $\varnothing$ 30x $\varnothing$ 10.5x2.5 <b>10</b> (DIN 9021)	<b>x4</b>
 <b>3</b>	<b>x1</b>		<b>10</b> $\varnothing$ 12.2	<b>x4</b>
			<b>11</b> $\varnothing$ 10.2	<b>x4</b>
 <b>4</b>	<b>x1</b>		<b>12</b> M12	<b>x4</b>
			<b>5</b>	<b>x1</b>
 <b>5</b> Art.nr-BL1G64A				

