

AUTO-HAK Sp. z o.o.

ul. Słoneczna 16K 76-200 SŁUPSK
POLAND

tel/fax +48 59 8 414 414; +48 59 8 414 413

e-mail: office@autohak.com.pl

www.autohak.com.pl



AUTO-HAK

RENAULT SCENIC III 5 drz. VAN

Nr kat.

G63A



05.2009 → 08.2016



E20-55R-01 5317

D

8,67 kN



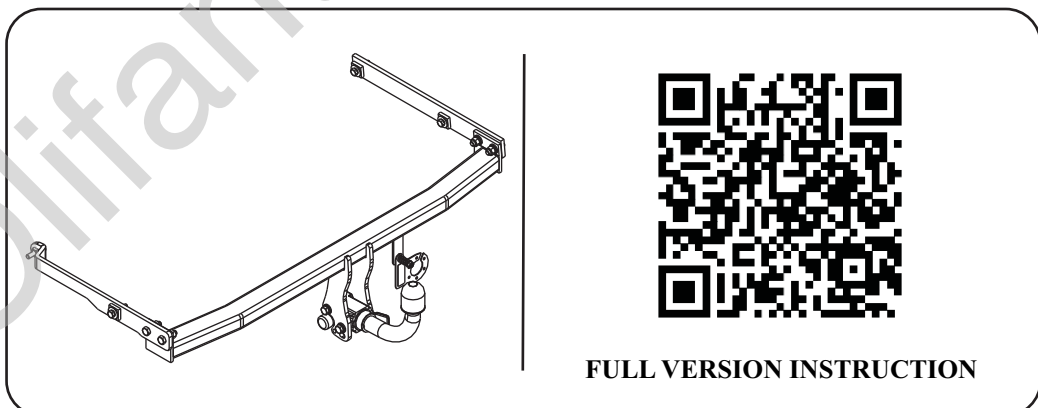
2h



R=1500 kg



S=75 kg



FULL VERSION INSTRUCTION



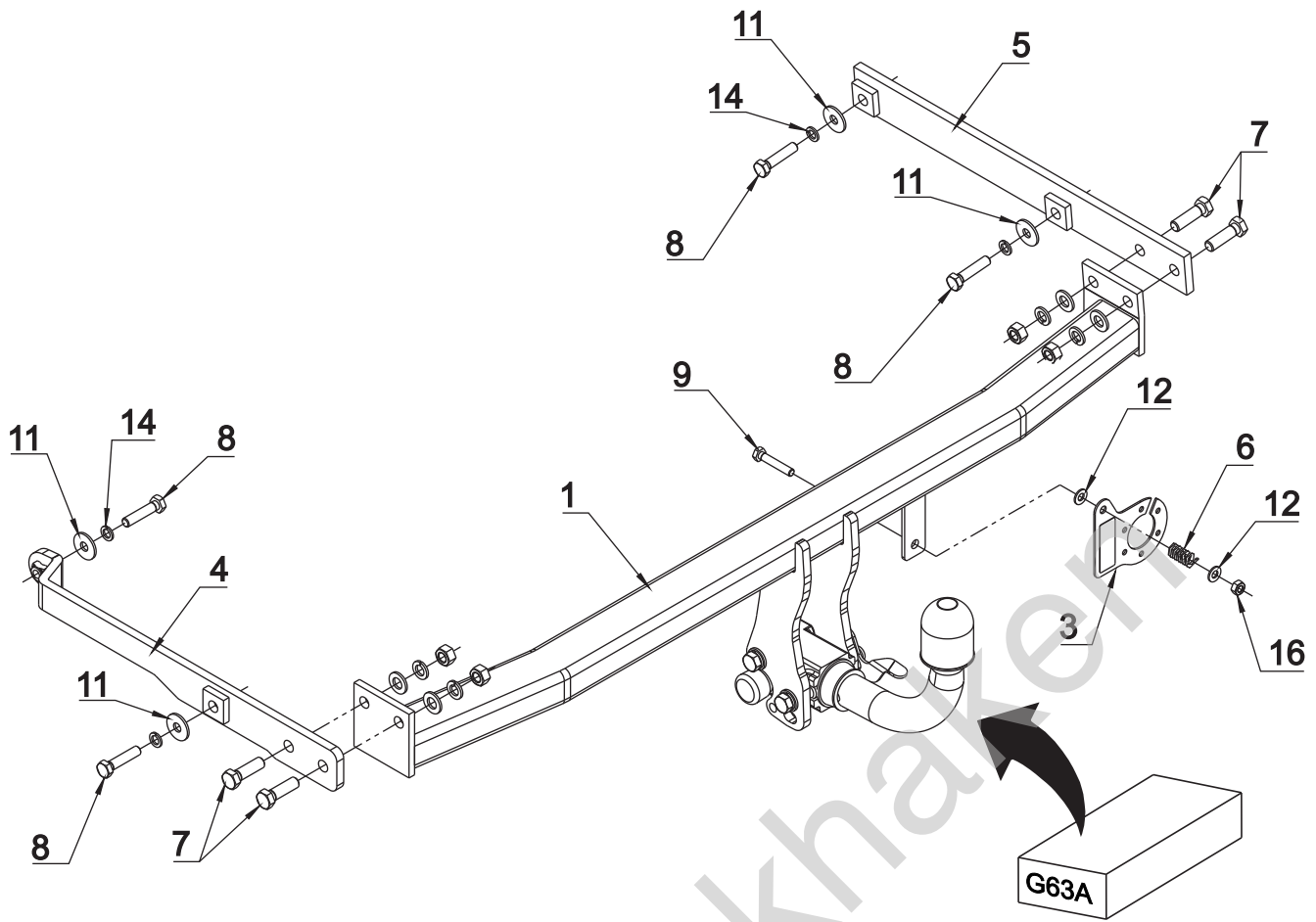
śruba	Nm	M6	M8	M10	M12	M14	M16
klasa 8.8		9,9	24	48	83	132	200
klasa 10.9		14	34	67	117	185	285

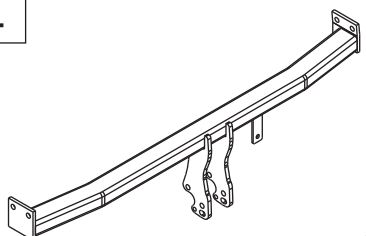

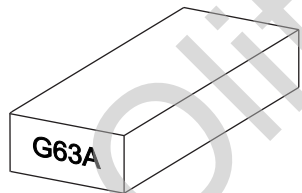



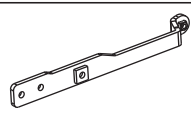
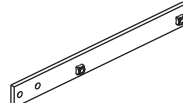
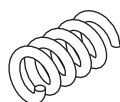


0 km



1000 km



1		x1		7	M12x40	x4
				8	M10x45	x4
				9	M8x45	x1
				10	∅ 13	x4
2		x1		11	∅ 30x∅10.5x2.5	x4
				10	(DIN 9021)	x4
				12	∅ 8.4	x2
3		x1		13	∅ 12.2	x4
				14	∅ 10.2	x4
4		x1		15	M12	x4
5		x1		16	M8	x1
6		x1				

