

AUTO-HAK Sp. z o.o.

ul. Słoneczna 16K 76-200 SŁUPSK
POLAND

tel/fax +48 59 8 414 414; +48 59 8 414 413


e-mail: office@autohak.com.pl

www.autohak.com.pl




AUTO-HAK

DACIA DUSTER I SUV, 2WD, 4WD


 05.2010 → 10.2013


Nr kat.

G62A

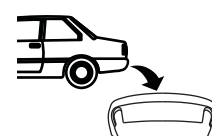

 **E20** E20-55R-01 4519

D 8,32 kN

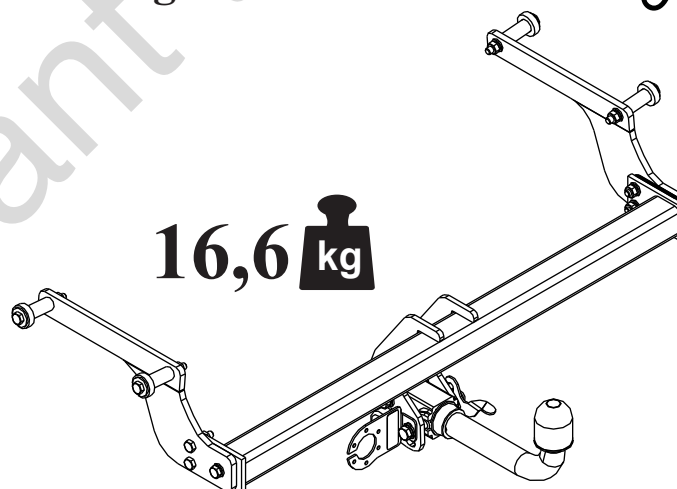
 **R=1500 kg**

 **S=75 kg**

  **2h**



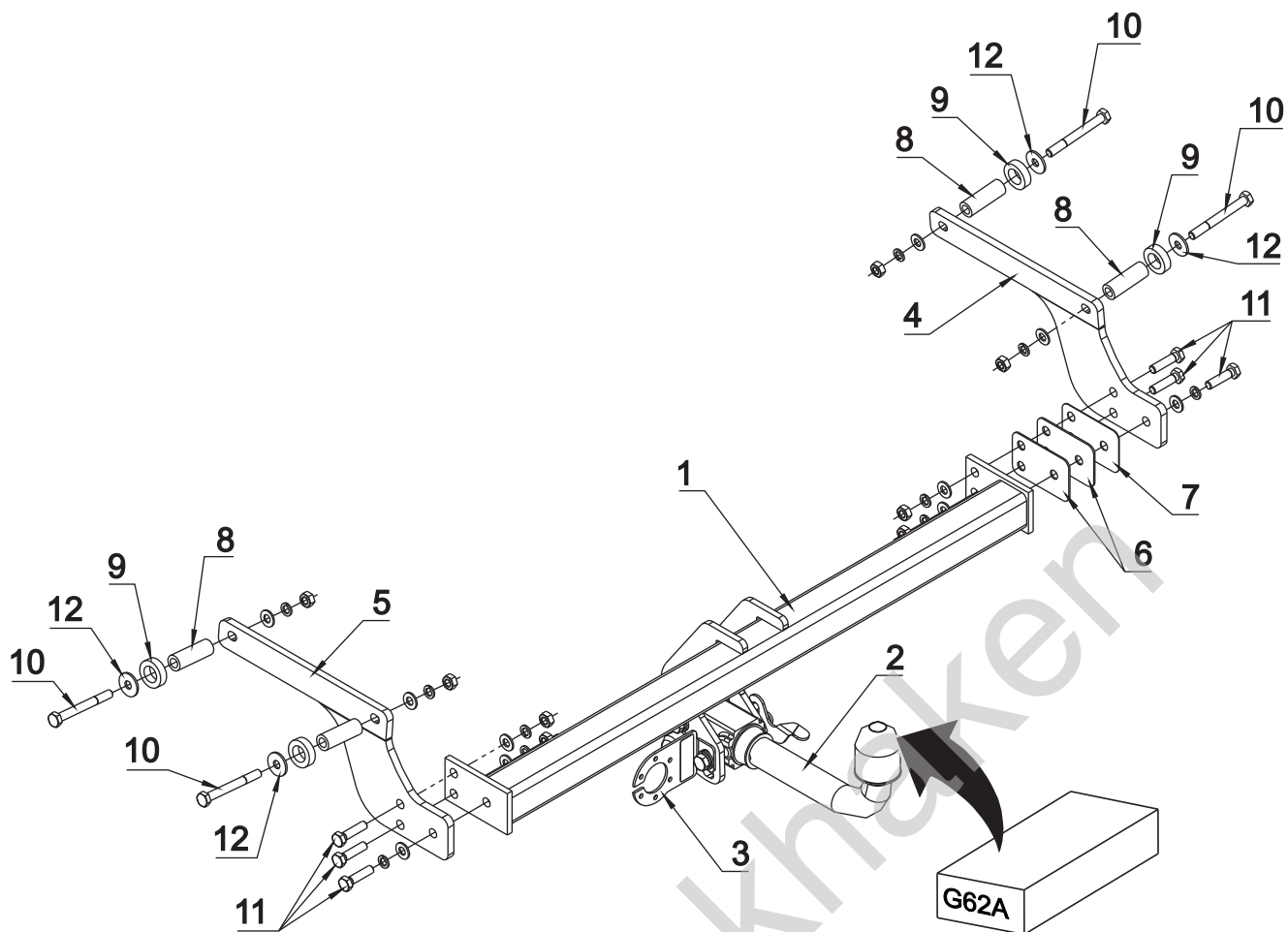


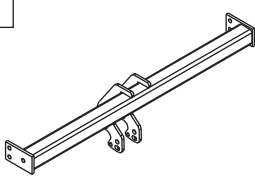

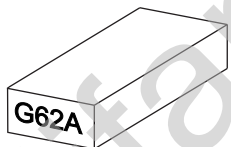

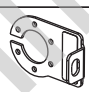

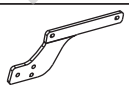

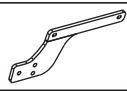


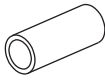

16,6 kg



śruba	Nm	M6	M8	M10	M12	M14	M16
klasa 8.8		9,9	24	48	83	132	200
klasa 10.9		14	34	67	117	185	285

 0 km →  1000 km



1		x1		10	M10x90	x4
				11	M10x40	x6
2		x1		12	∅ 30x∅10.5x2.5 10 (DIN 9021)	x4
				13	∅ 10.5	x10
3		x1		14	∅ 10.2	x10
				15	M10	x8
4		x1	16		x1	
5		x1				
6		x2				
					95x60x2mm	
7		x1				
					95x60x1mm	
8		x4				
					∅20x4, L=57mm	
9		x4				
					∅35x∅21x10mm	

