

PPUH AUTO-HAK Sp.J.

Henryk i Zbigniew Nejman
ul. Słoneczna 16K 76-200 SŁUPSK
POLAND

tel/fax +48 59 8 414 414; +48 59 8 414 413

e-mail: office@autohak.com.pl

www.autohak.com.pl



AUTO-HAK



**DACIA SANDERO
STEPWAY 5D**

Cat. no:

G61A



2009 → 12.2012

e20

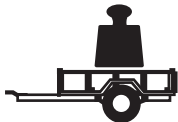
e20*94/20*1182*00

D

7,3 kN



1,5h



R=1350 kg



-

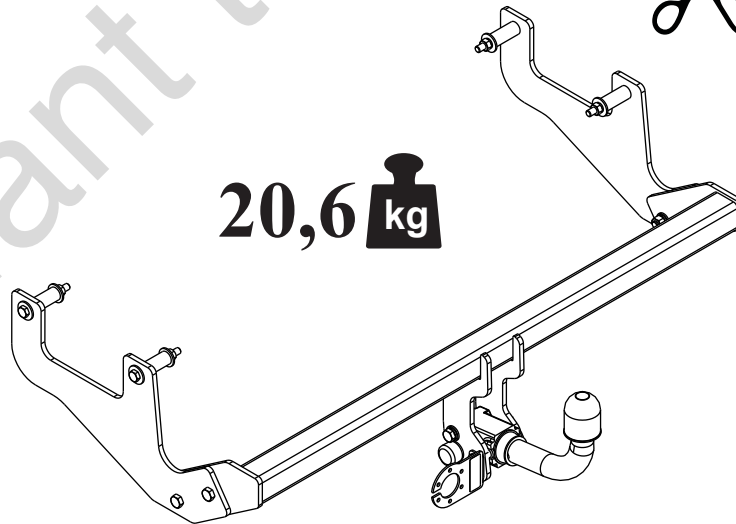


S=75 kg



-

20,6 kg



M6 - 11 Nm
M10 - 50 Nm
M14 - 138 Nm

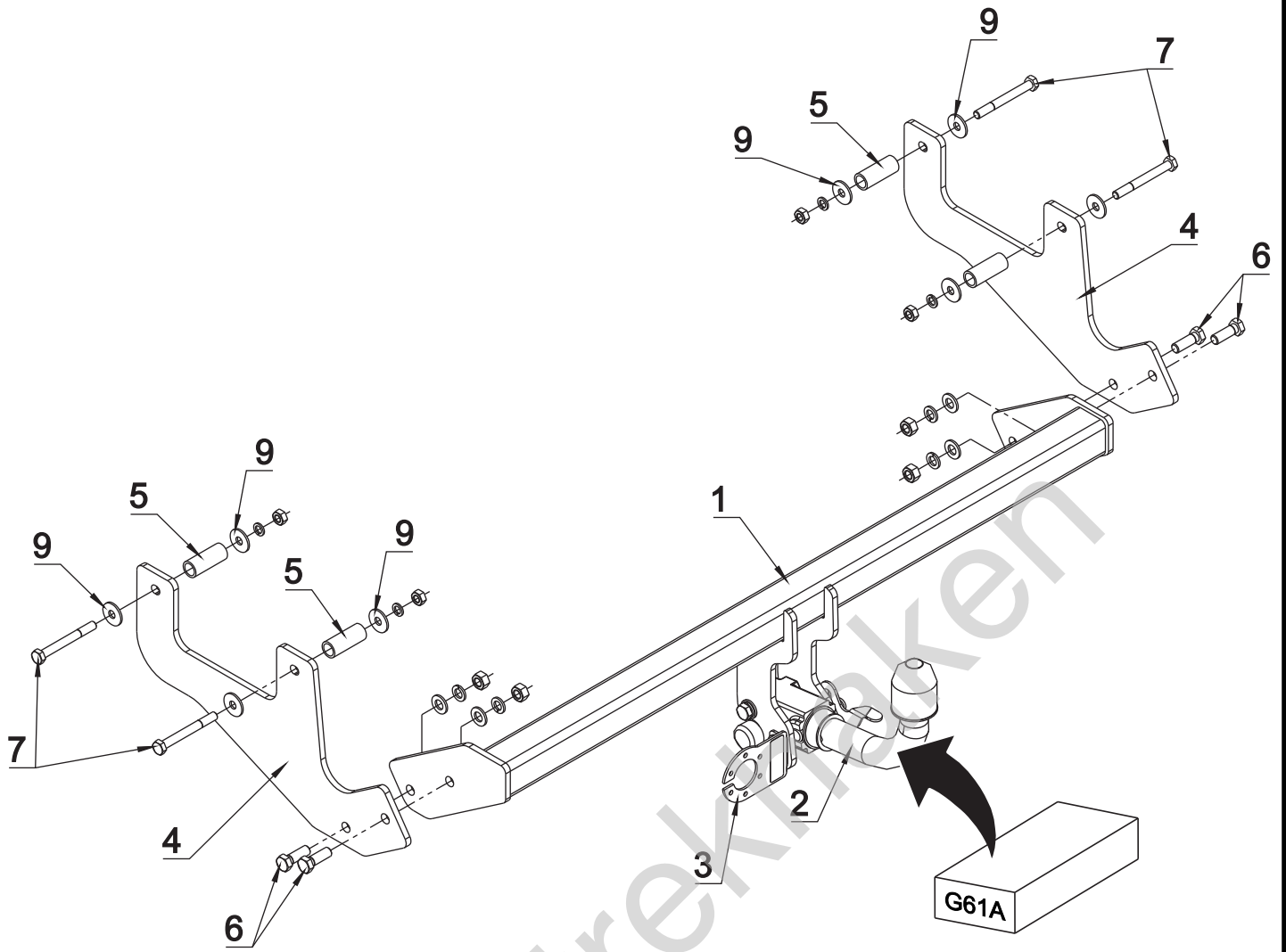
M8 - 25 Nm
M12 - 87 Nm
M16 - 210 Nm

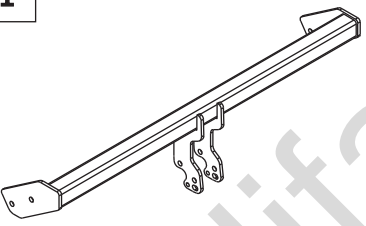
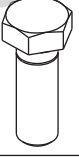

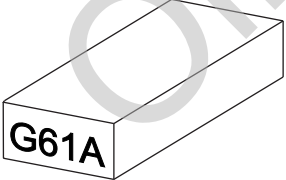


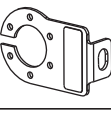





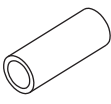


0 km →



1000 km



 1	x1		6 M12x35	x4
				7 M10x90
 G61A Art.nr-KL1G61A	x1		8 \varnothing 13	x4
				9 \varnothing 30x \varnothing 10.5x2.5 10 – DIN 9021
 3 Art.nr-BL1G61A	x1		10 \varnothing 12.2	x4
				11 \varnothing 10.2
 4	x2		12 M12	x4
				13 M10
 5	x4	\varnothing 21.3x2.65, L=53mm		

