

AUTO-HAK Sp. z o.o.
ul. Słoneczna 16K 76-200 SŁUPSK
POLAND
tel/fax +48 59 8 414 414; +48 59 8 414 413
e-mail: office@autohak.com.pl
www.autohak.com.pl



AUTO-HAK



**RENAULT
GRAND SCENIC III
5D, VAN**

Cat. no:

G60A



05.2009 → 08.2016



E20-55R-01 4412



2h

D

8,82 kN



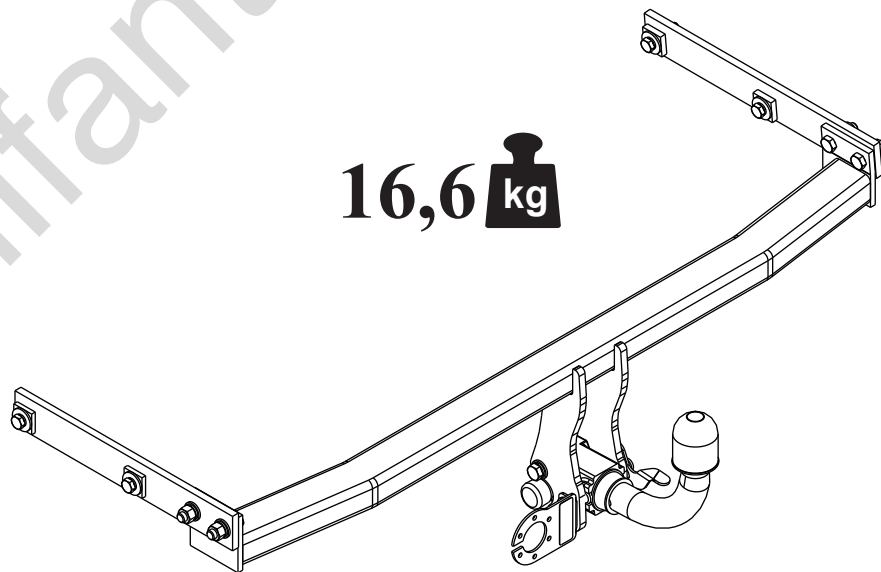
R=1400 kg

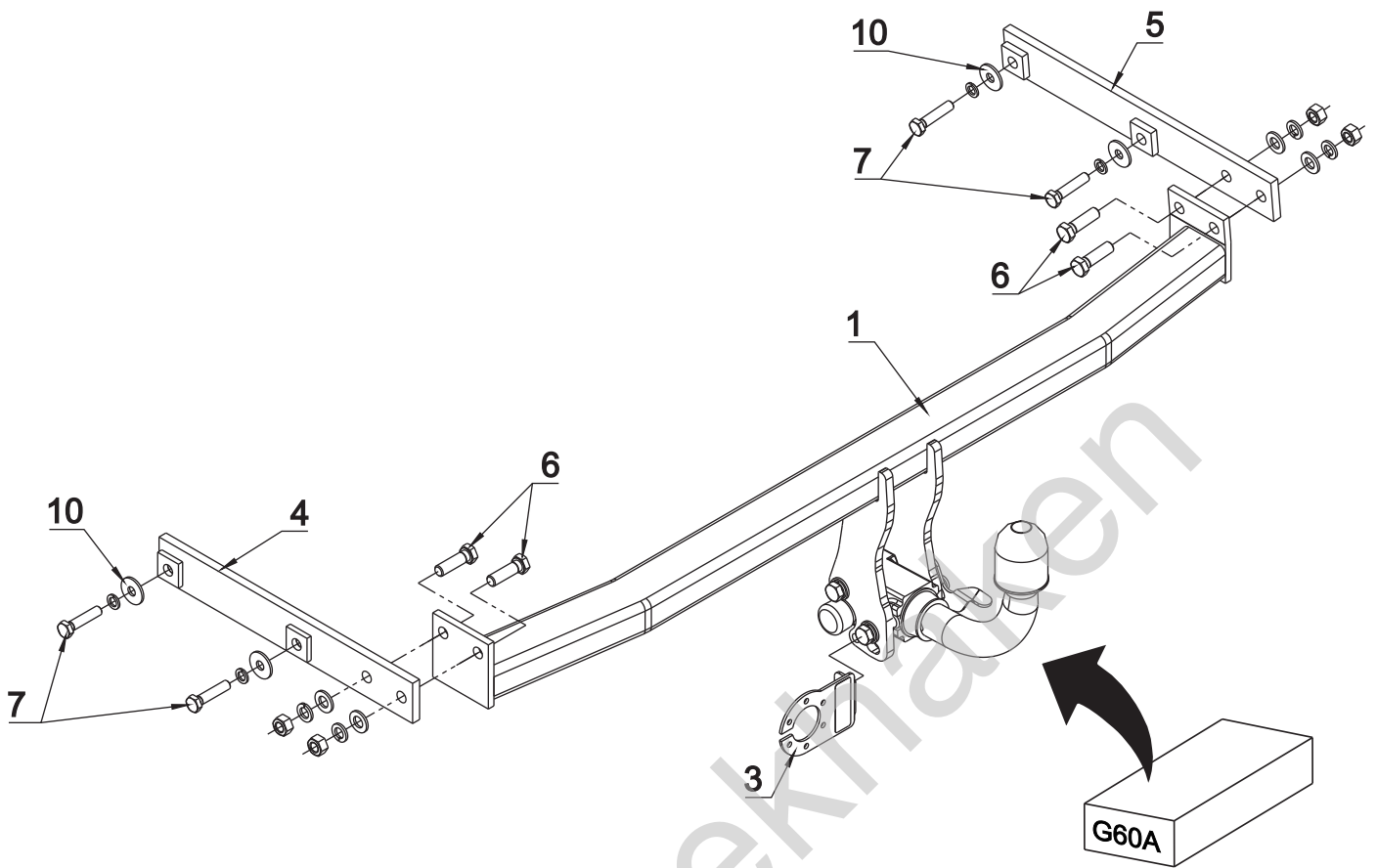


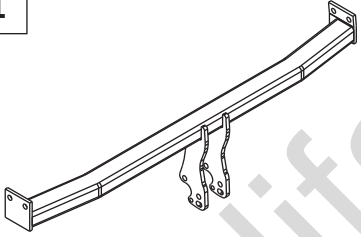
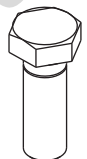
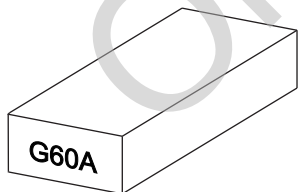

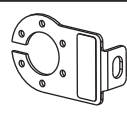

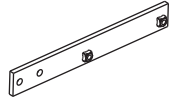

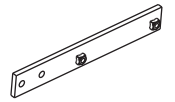
S=75 kg

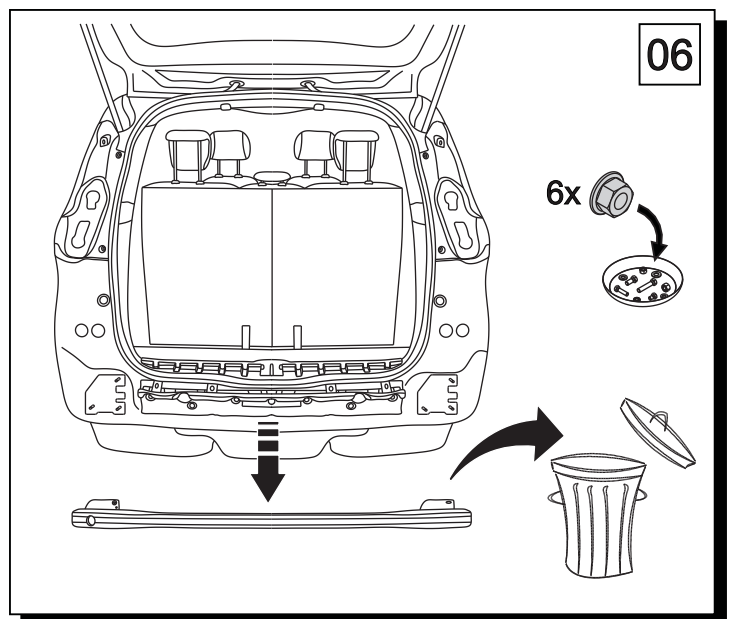
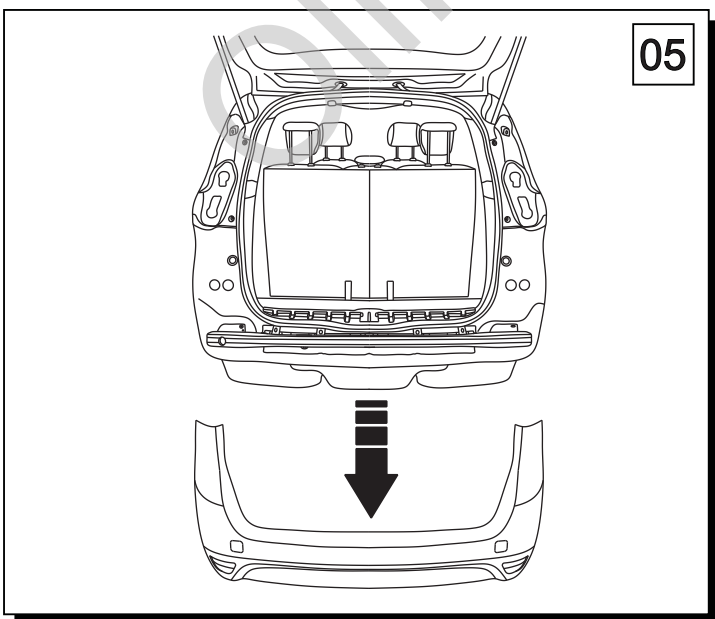
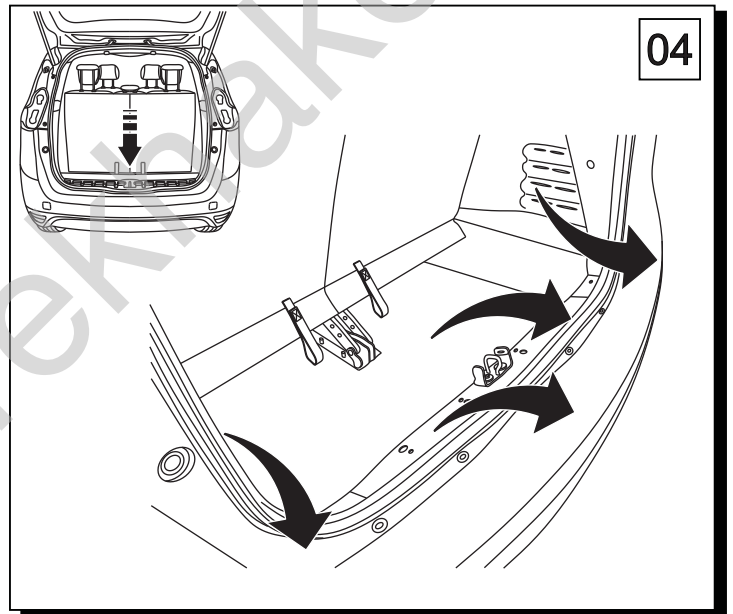
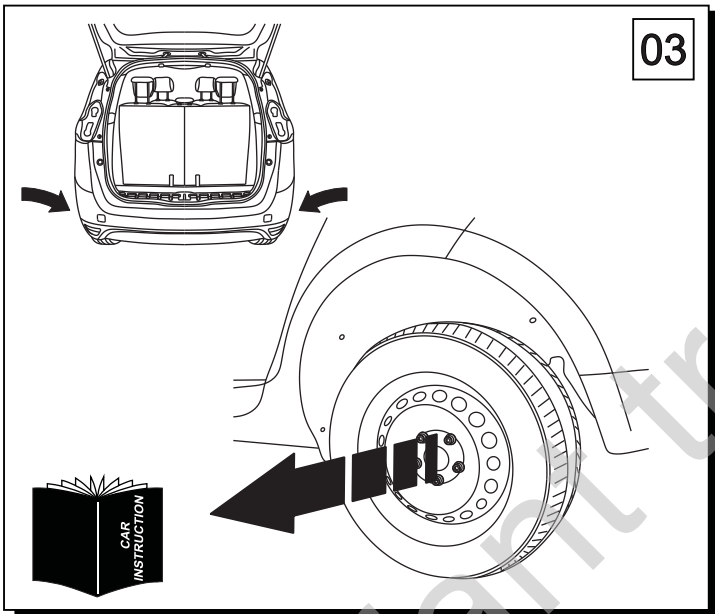
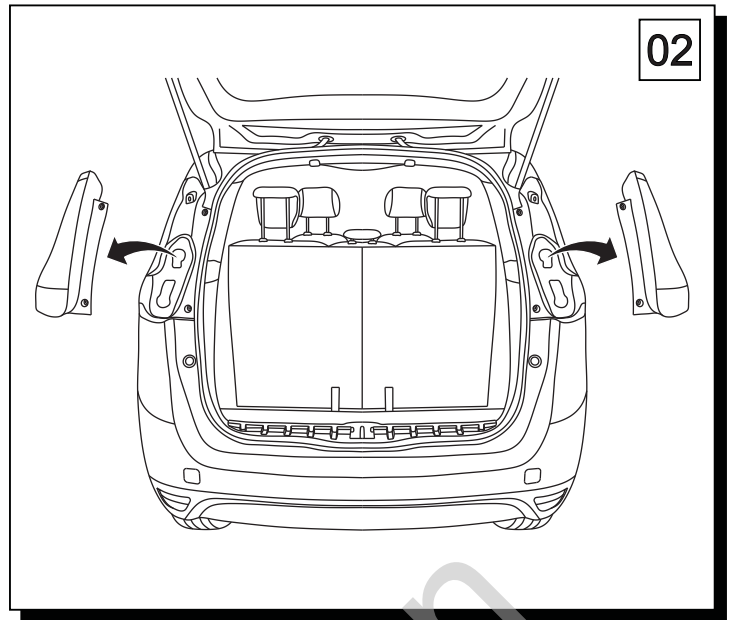
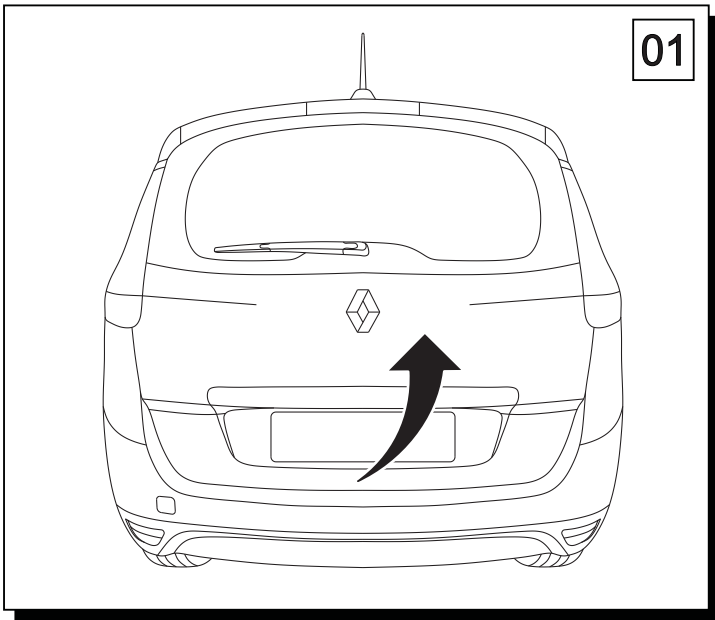


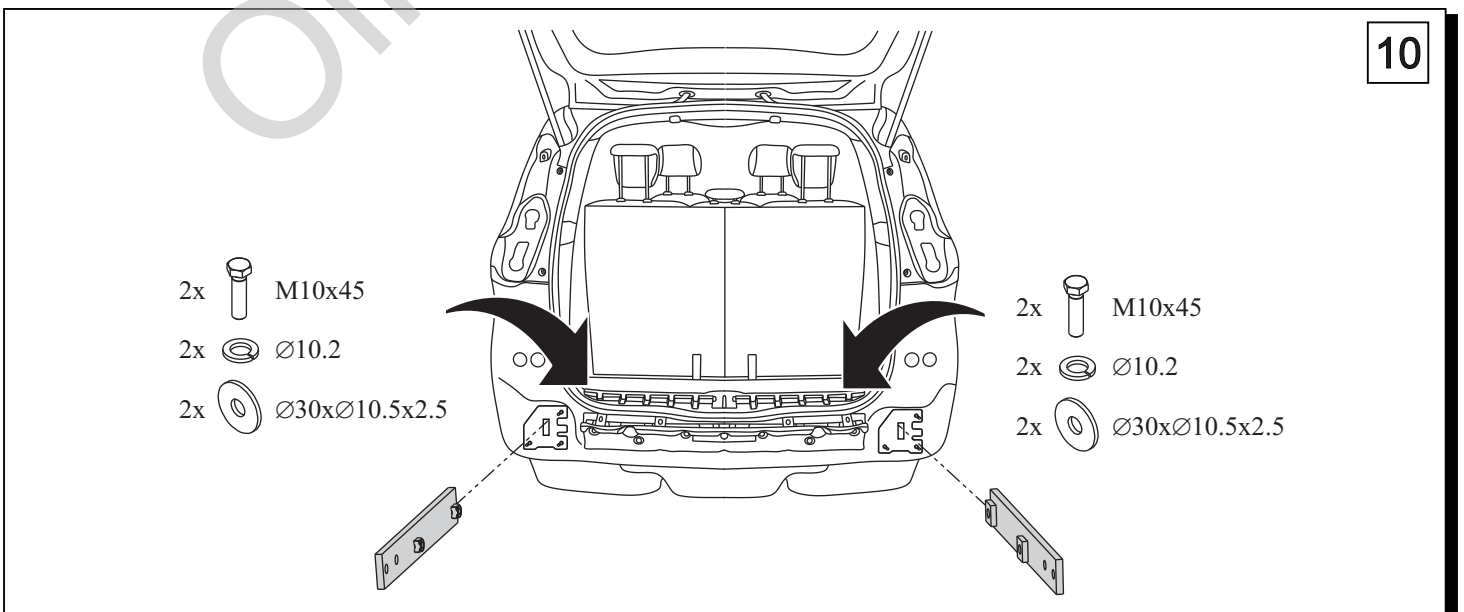
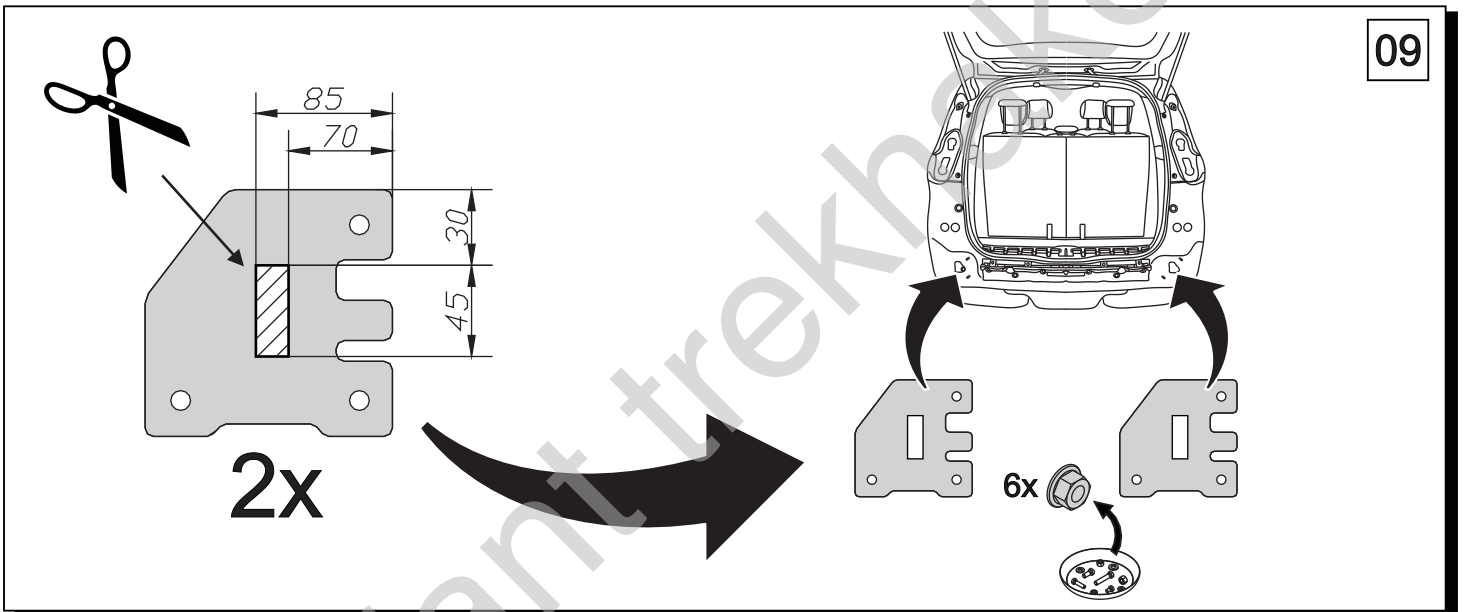
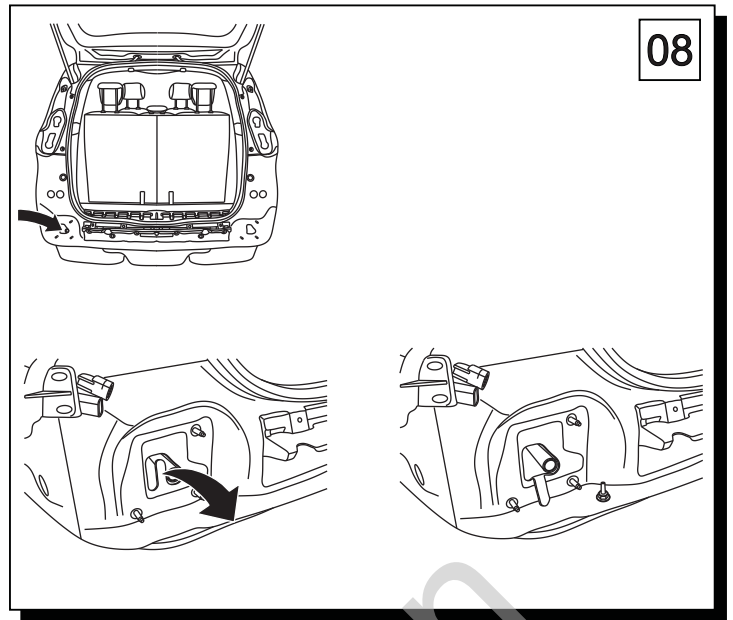
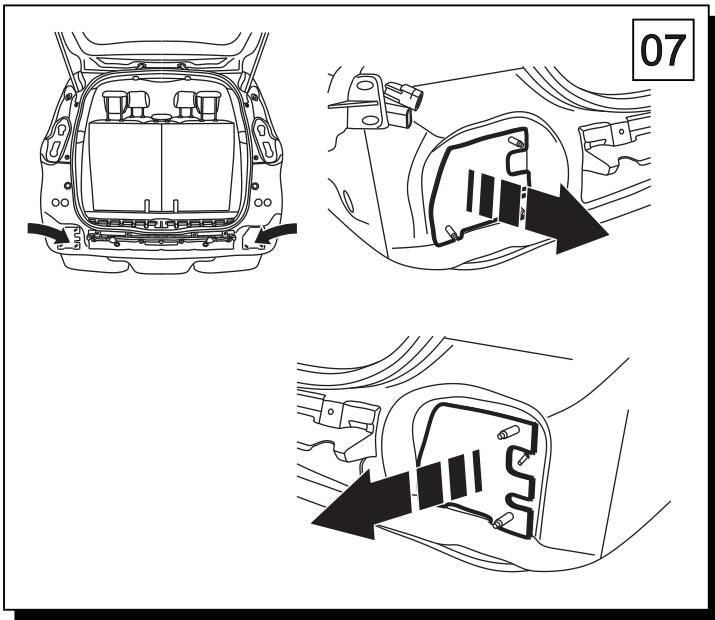
16,6 kg

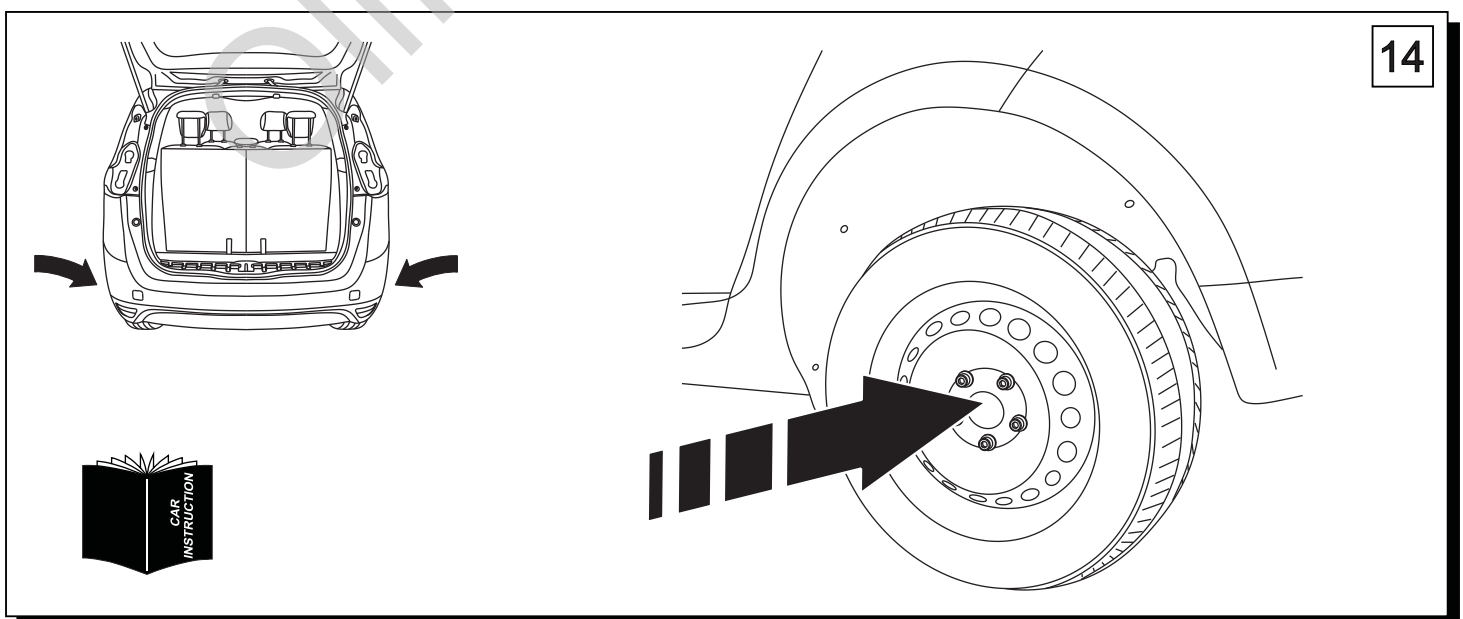
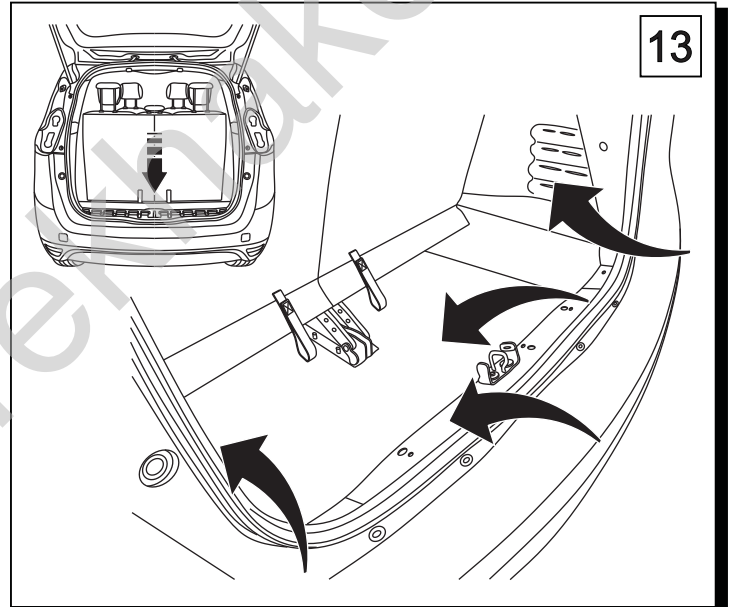
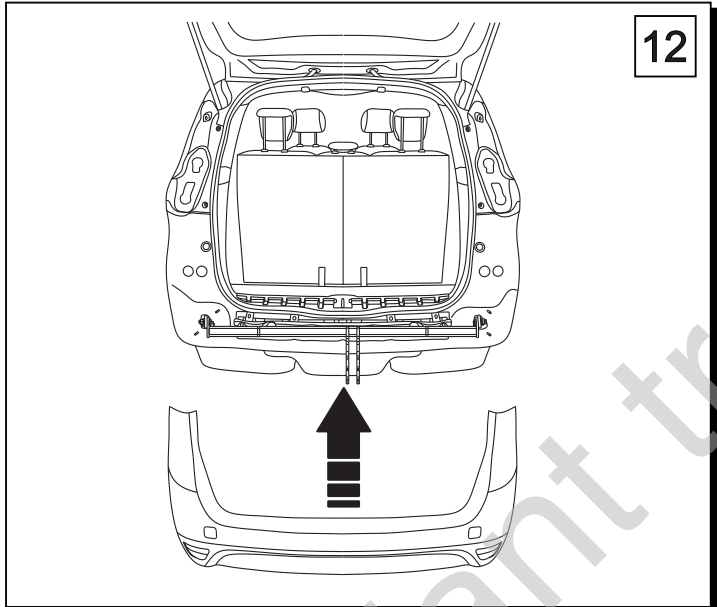
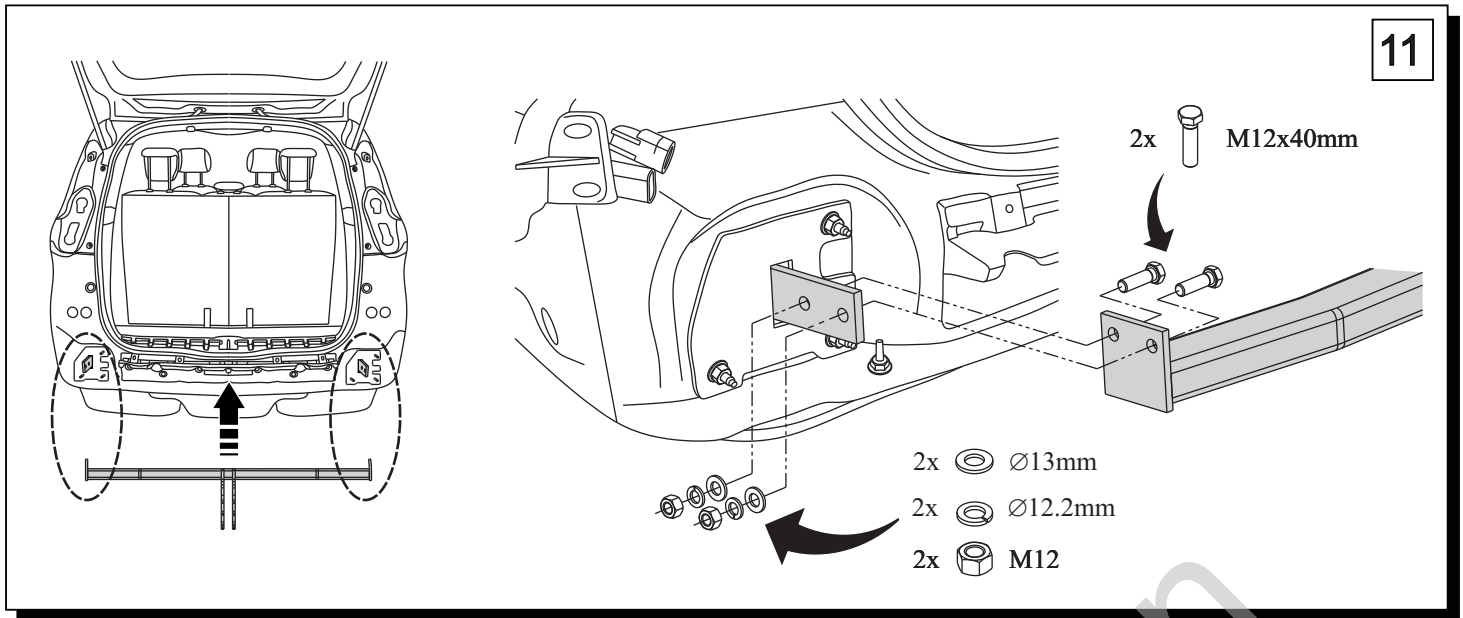


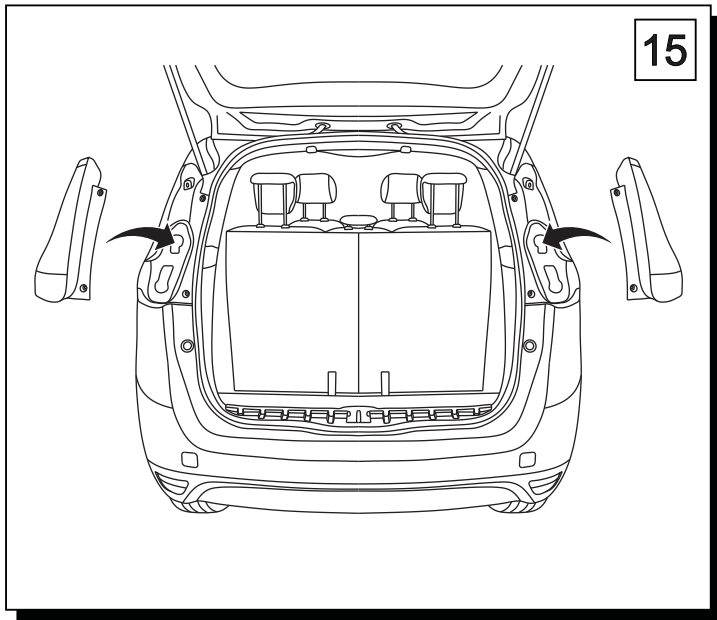


1		x 1		6	M12x40	x 4
				7	M10x45	x 4
2		x 1		8	M12	x 4
				9	ø 13	x 4
3		x 1		10	ø 30xø10.5x2.5 10 – DIN 9021	x 4
				11	ø 12.2	x 4
4		x 1		12	ø 10.2	x 4
				5		x 1

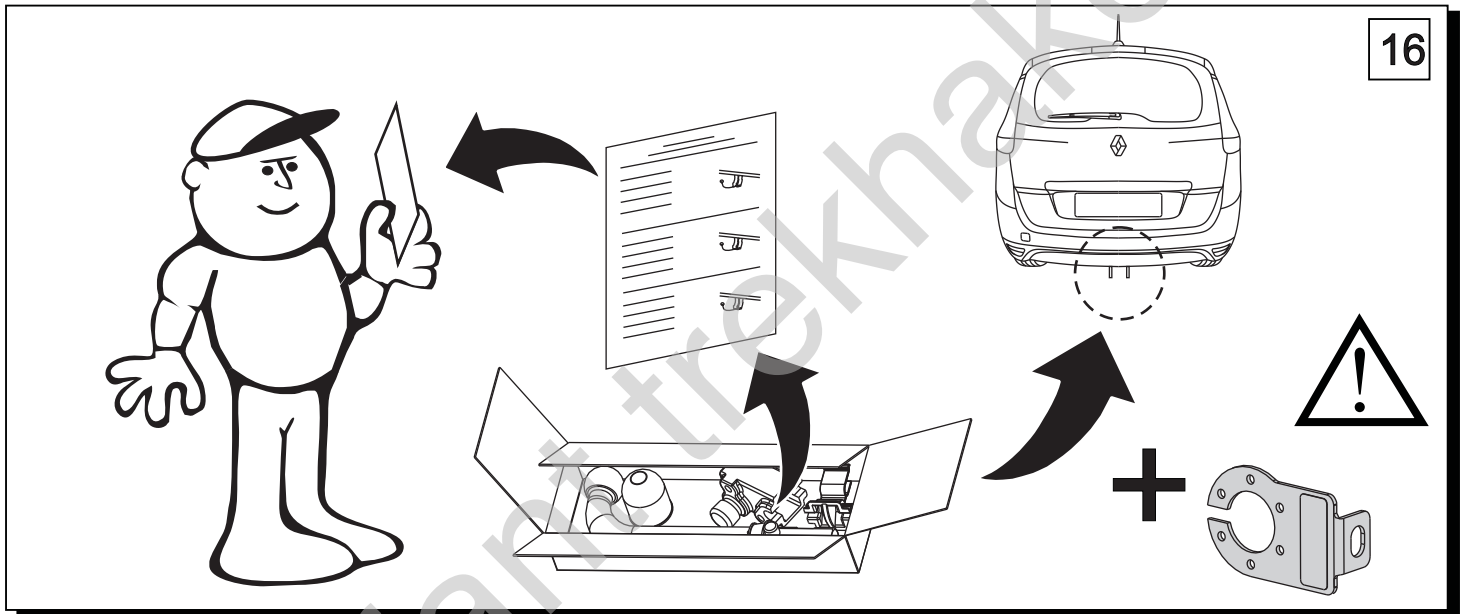











15



16

	M6 - 11 Nm	M8 - 25 Nm
	M10 - 50 Nm	M12 - 87 Nm
	M14 - 138 Nm	M16 - 210 Nm

 **0 km** →  **1000 km**