

# PPUH AUTO-HAK Sp.J.

Henryk & Zbigniew Nejman  
ul. Słoneczna 16K 76-200 SŁUPSK  
POLAND

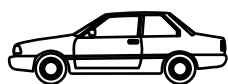
tel/fax +48 059 8-414-414; 8-414-413

e-mail: [office@autohak.com.pl](mailto:office@autohak.com.pl)

[www.autohak.com.pl](http://www.autohak.com.pl)



# AUTO-HAK



**RENAULT LAGUNA III**  
**5D, ~~ST~~**

Cat. no:

**G58A**



**09.2007** →

**e20**

**e20\*94/20\*0732\*01**



**1,5h**

**D**

**9,76 kN**



**R=1700 kg**



**-**

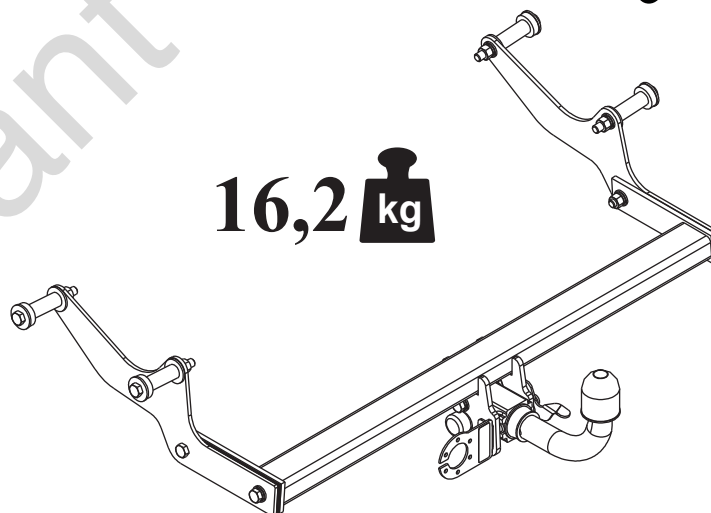


**S=75 kg**



**-**

**16,2 kg**



**M6 - 11 Nm**  
**M10 - 50 Nm**  
**M14 - 138 Nm**

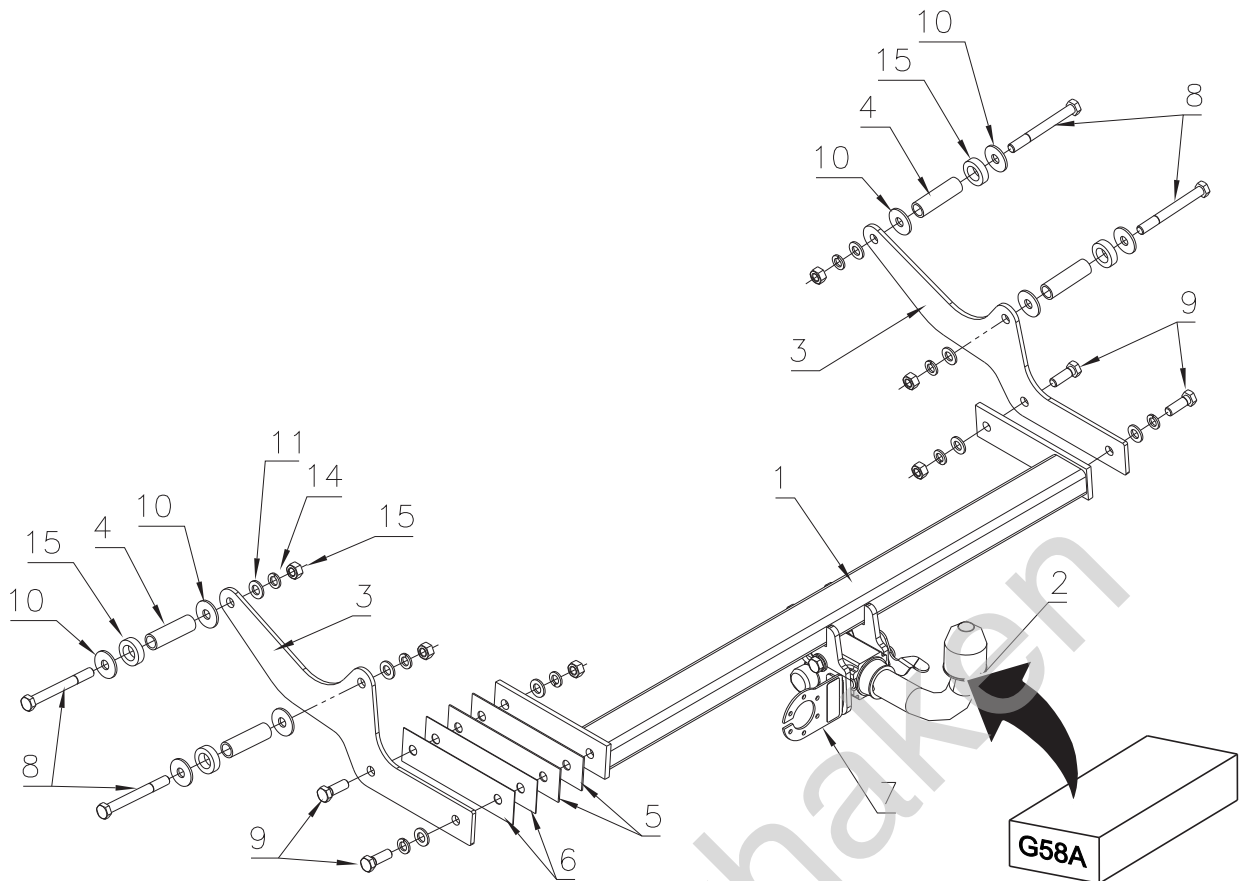
**M8 - 25 Nm**  
**M12 - 87 Nm**  
**M16 - 210 Nm**



**0 km** →



**1000 km**



1		x 1		8	M12x110	x 4
				9	M12x35	x 4
2		x 1		10	∅ 37x∅13x3 13 (DIN 9021)	x 8
	Art.nr-KL1G58A			11	∅ 13	x 8
3		x 2		12	∅ 12.2	x 8
				13	M12	x 6
4		x 4	14			x 1
	∅21x2,65mm L=70mm		15			x 4
5		x 2				
6		x 2				
7		x 1				
	Art.nr-BL1G58A					

