

# PPUH AUTO-HAK Sp.J.

Henryk & Zbigniew Nejman  
ul. Słoneczna 16K 76-200 SŁUPSK  
POLAND

tel/fax +48 059 8-414-414; 8-414-413

e-mail: [office@autohak.com.pl](mailto:office@autohak.com.pl)

[www.autohak.com.pl](http://www.autohak.com.pl)



# AUTO-HAK

## RENAULT



MEGANE III 5D  
(~~GT Line~~, RS/Generation)



11.2008 → 09.2012  
10.2012 → 01.2016



MEGANE III 3D COUPE  
(~~GT Line~~, RS/Generation)



06.2009 → 09.2012  
10.2012 →



E20-55R-01 4764

**D**

7,44 kN



R=1300 kg



S=75 kg

Cat. no:

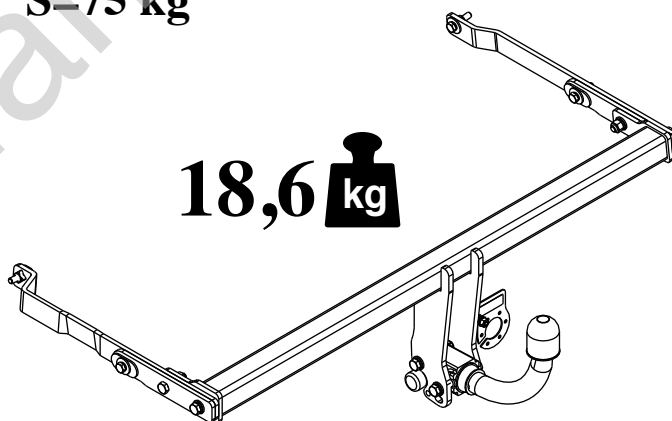
**G57A**



3h



18,6 kg



M6 - 11 Nm  
M10 - 50 Nm  
M14 - 138 Nm

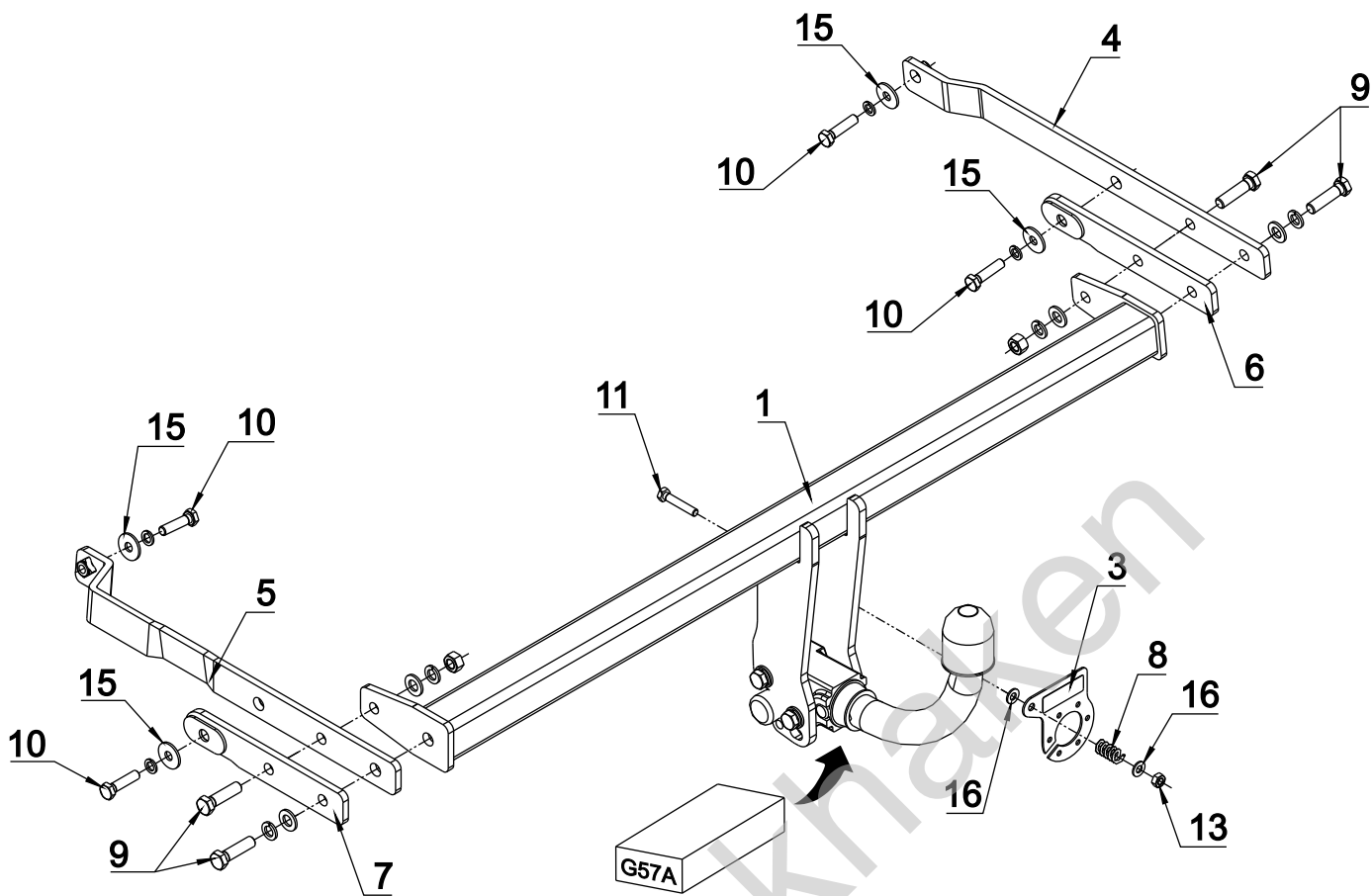
M8 - 25 Nm  
M12 - 87 Nm  
M16 - 210 Nm

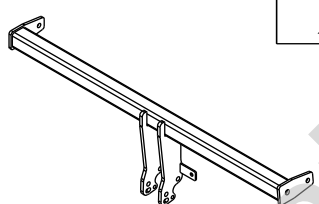

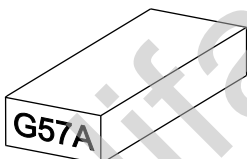



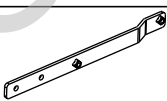
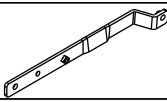
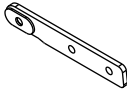
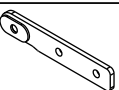
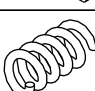


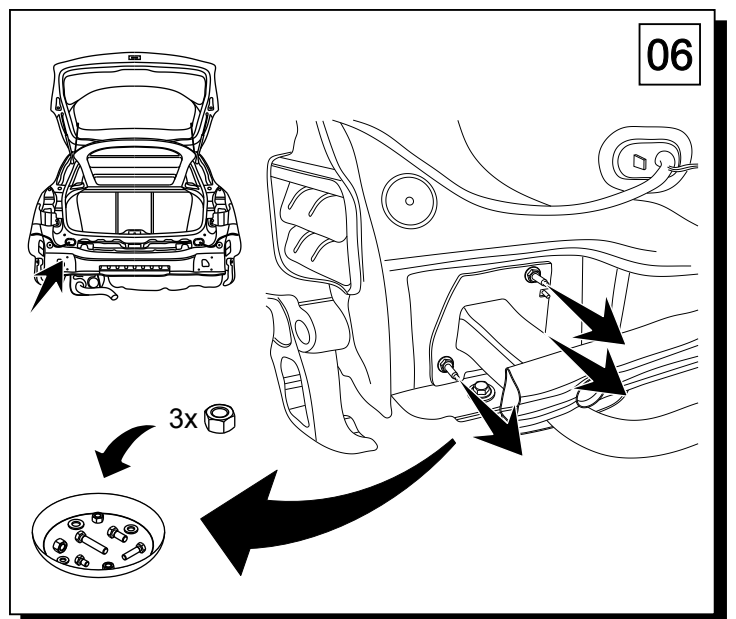
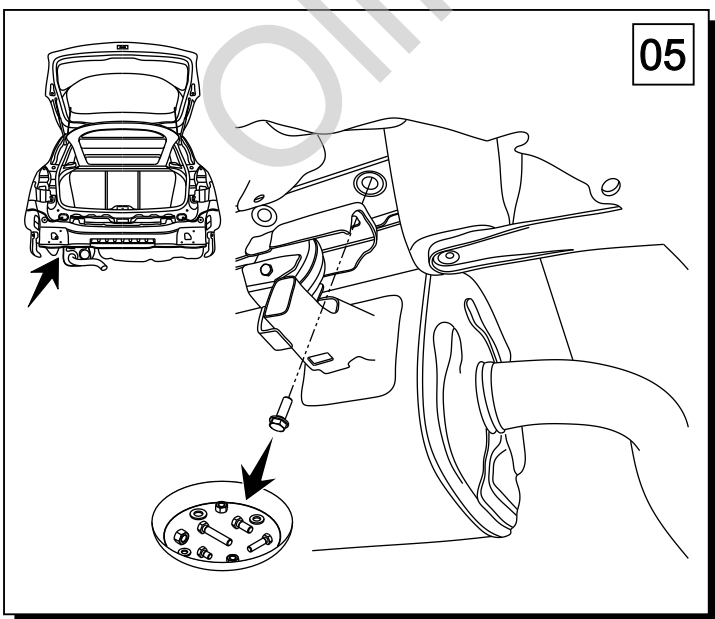
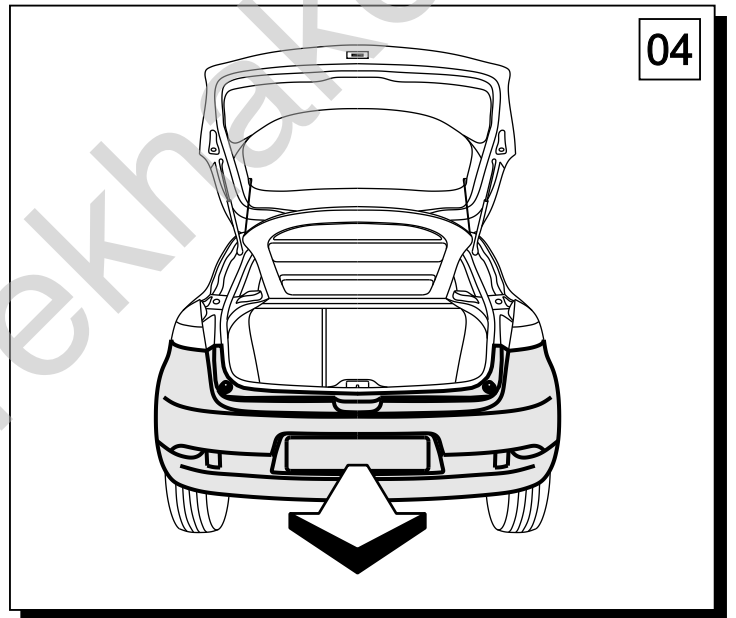
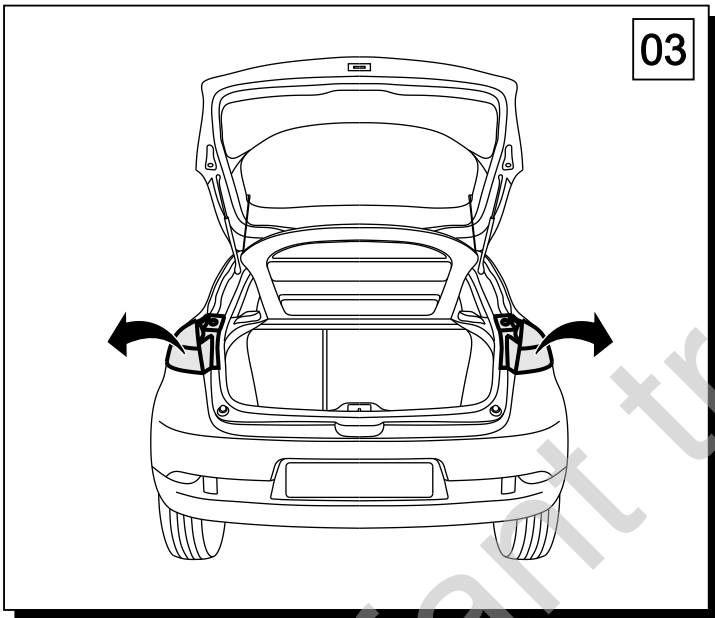
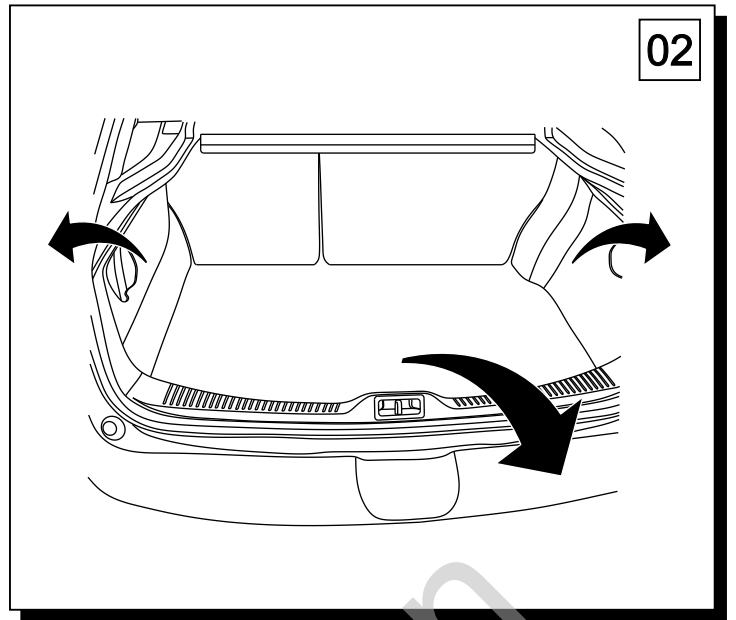
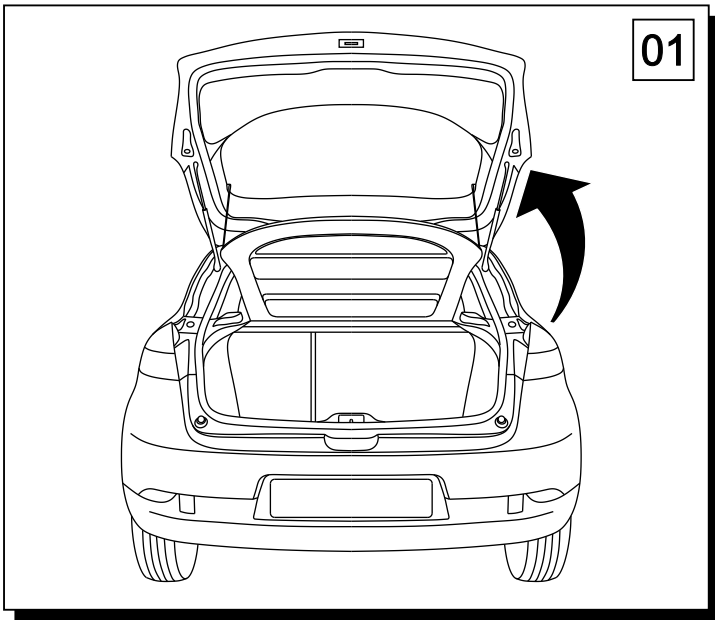
0 km →

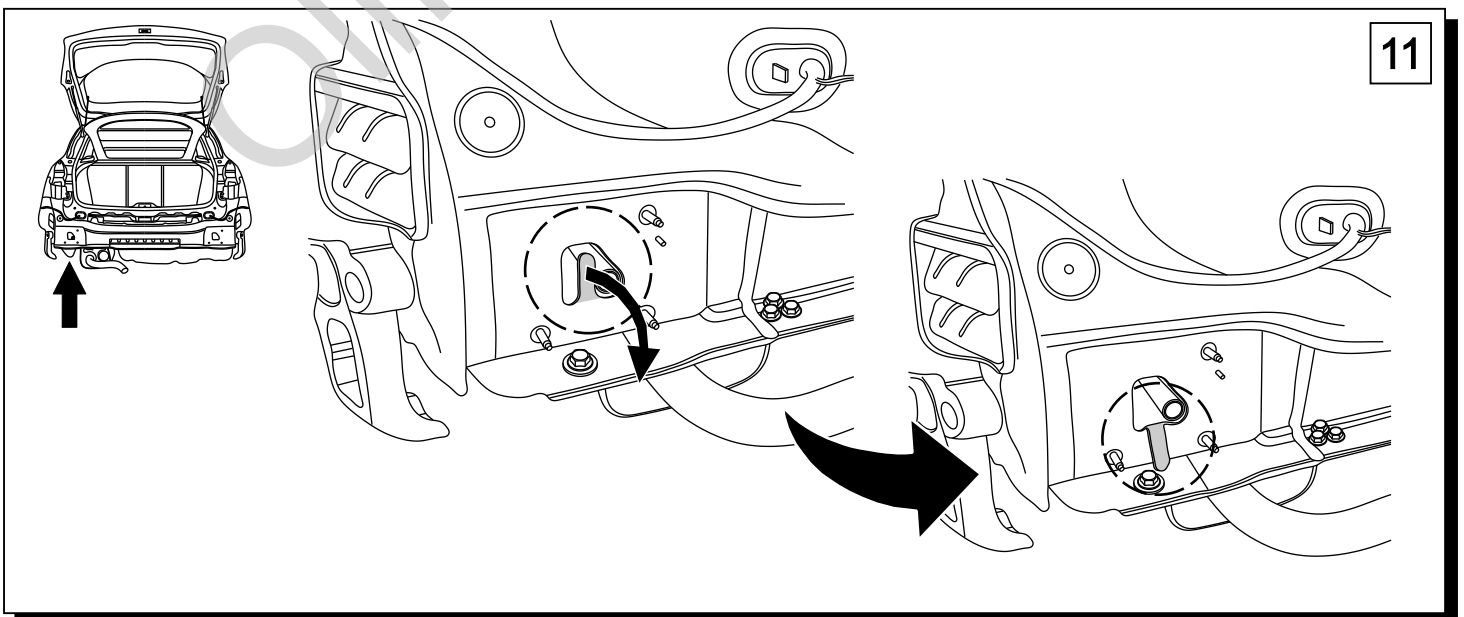
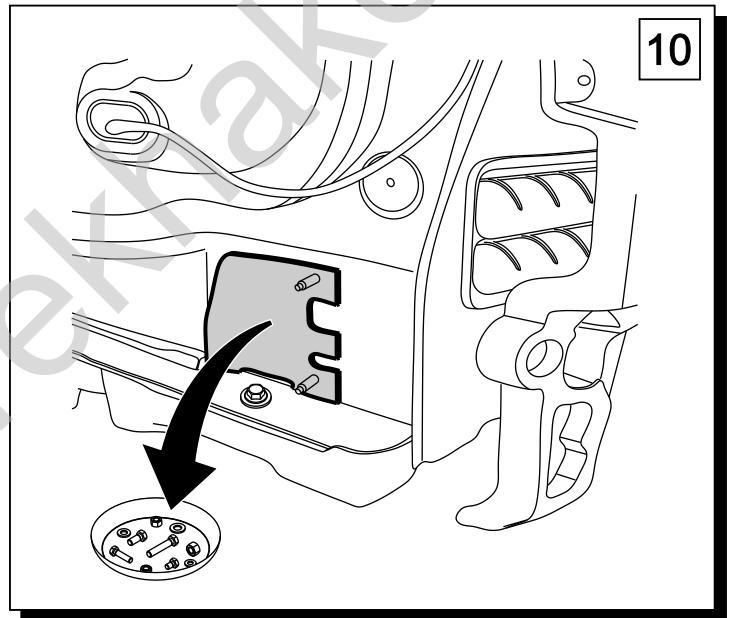
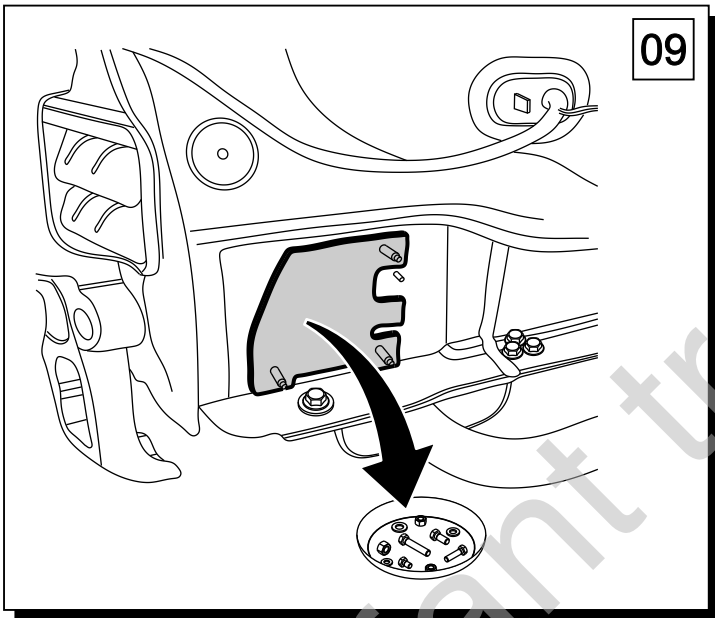
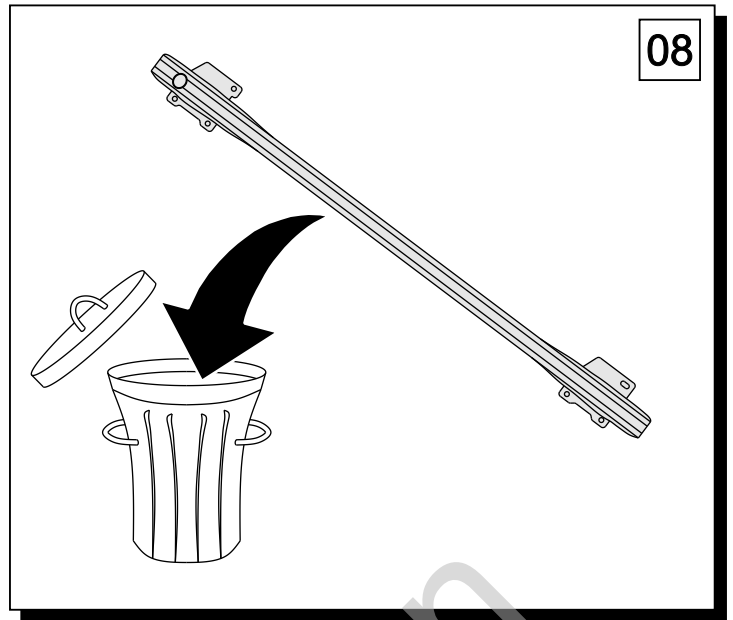
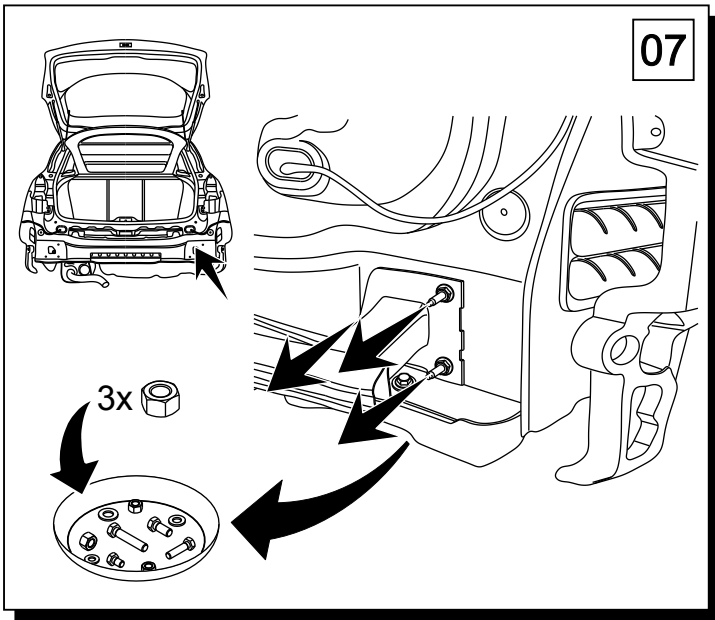


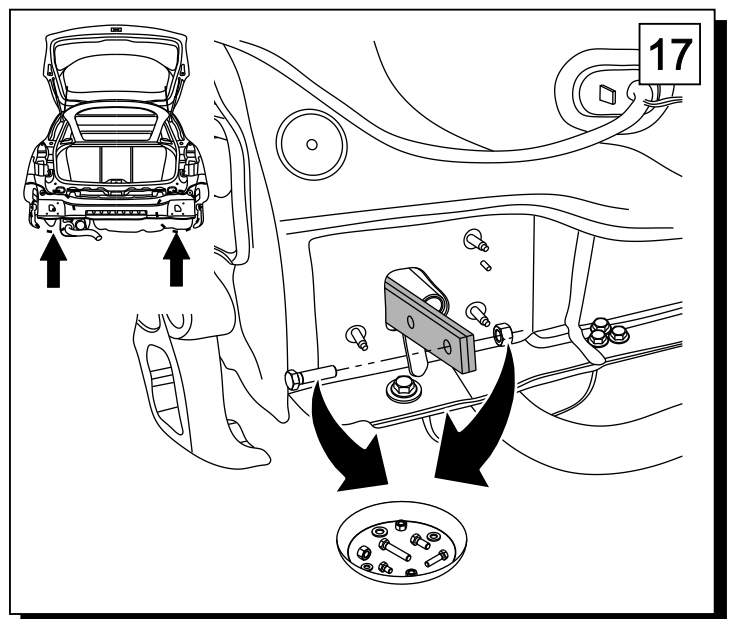
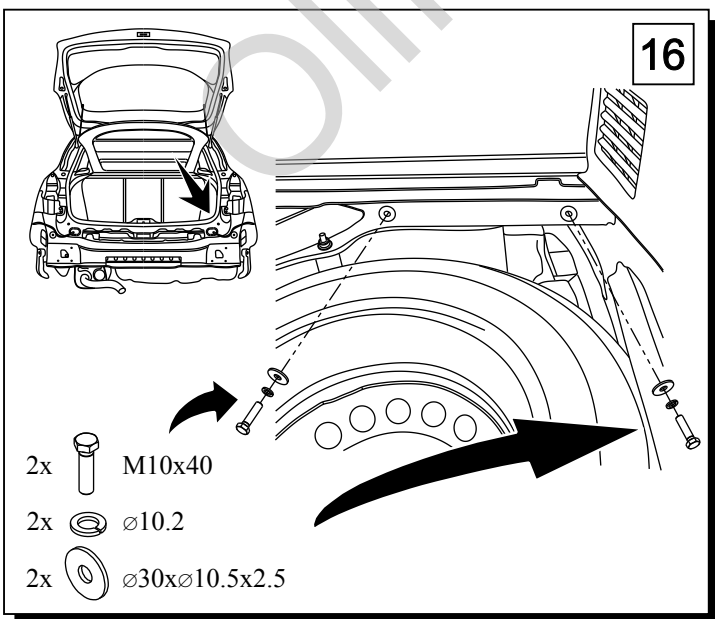
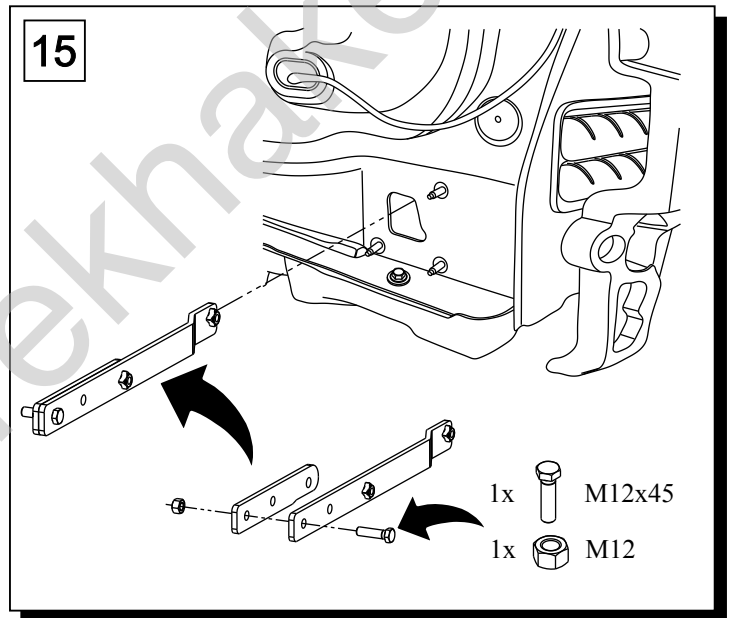
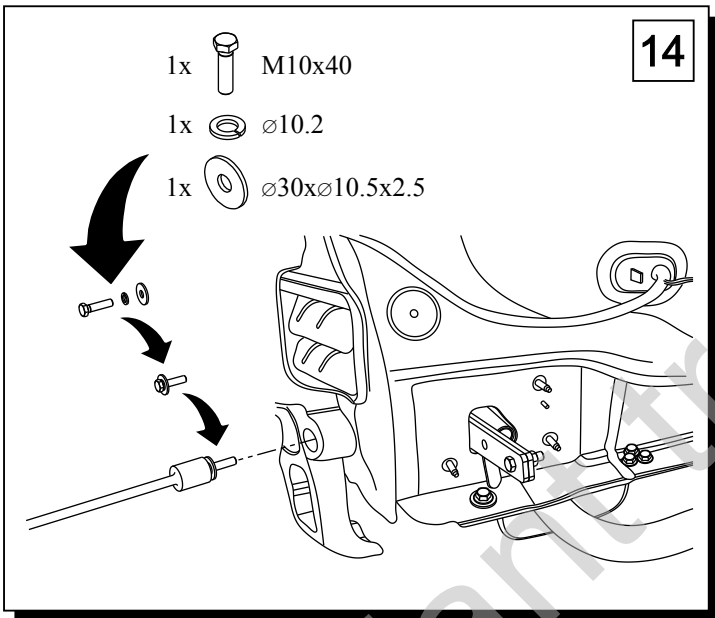
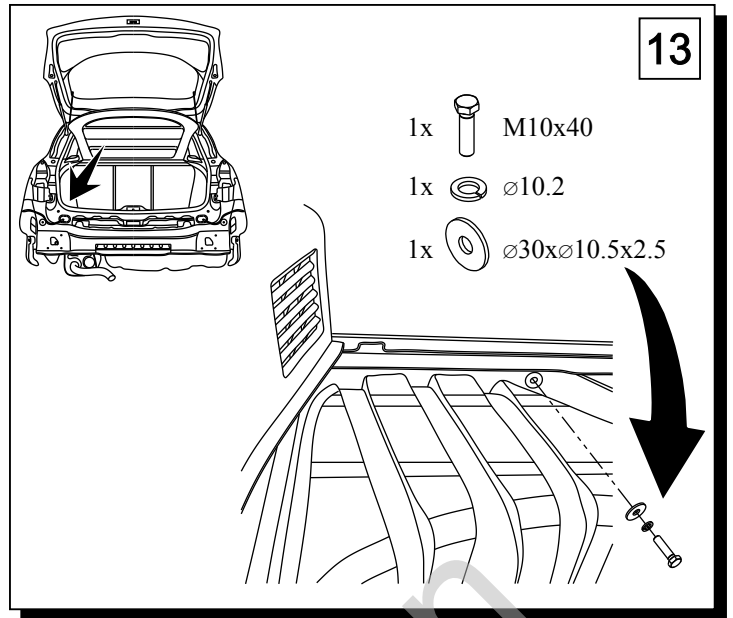
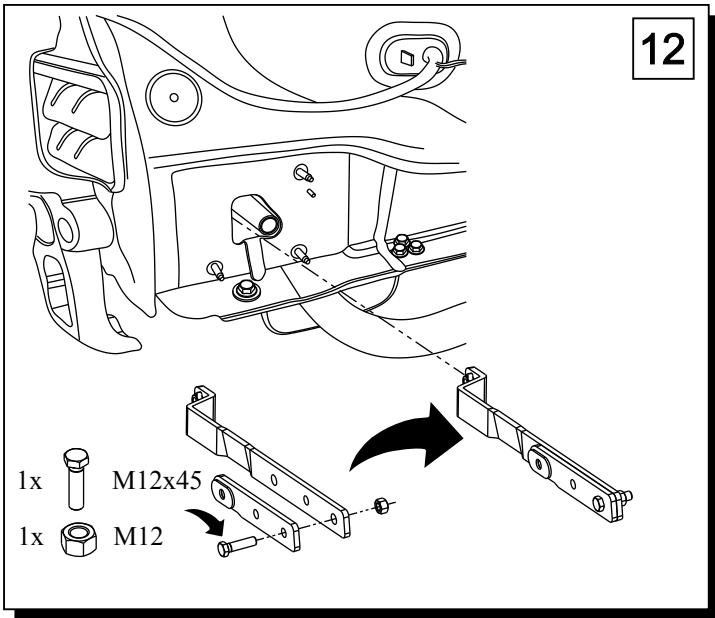
1000 km

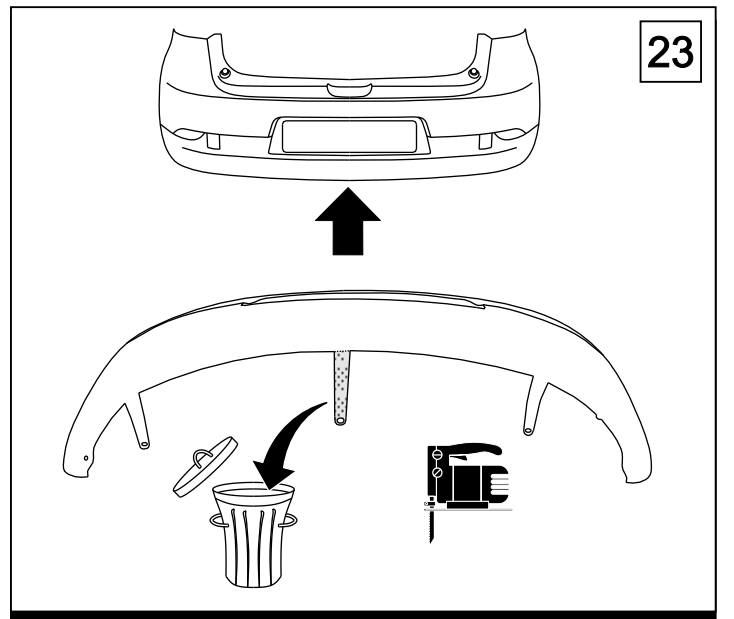
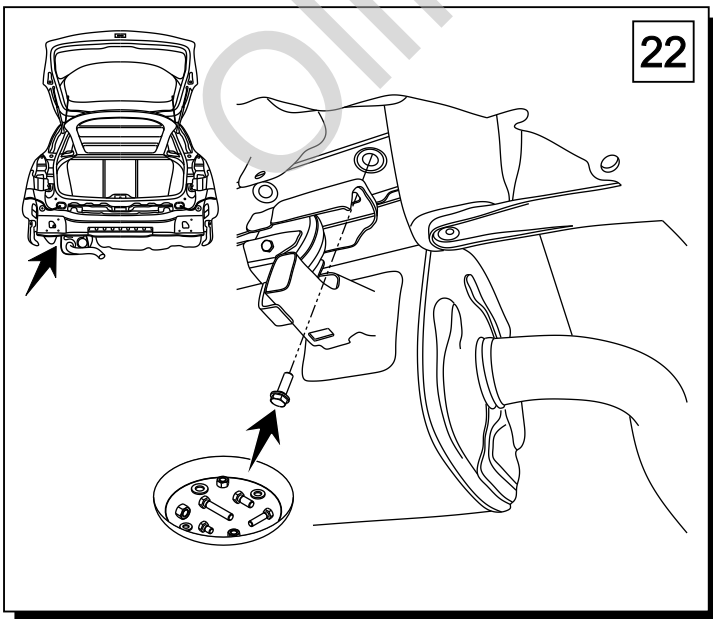
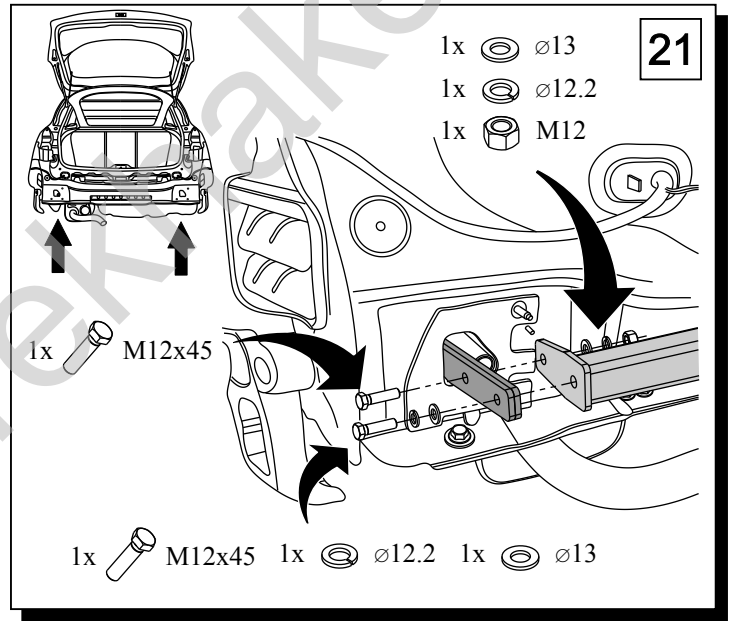
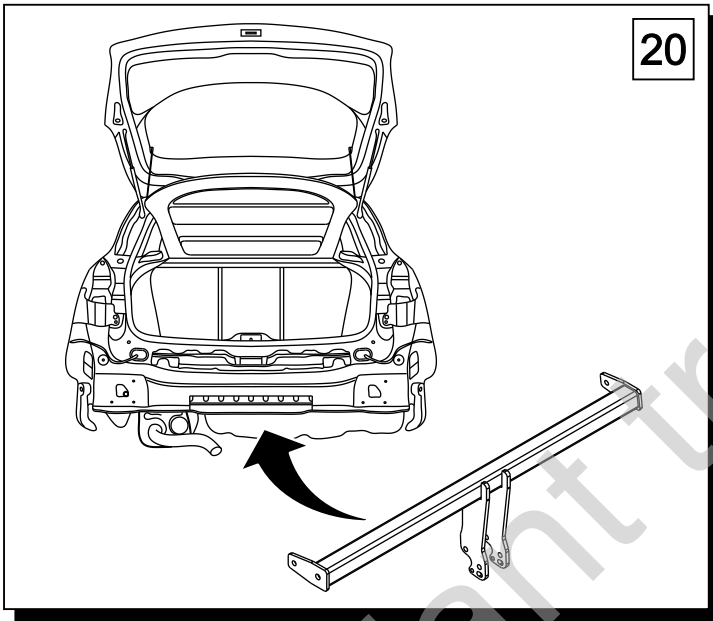
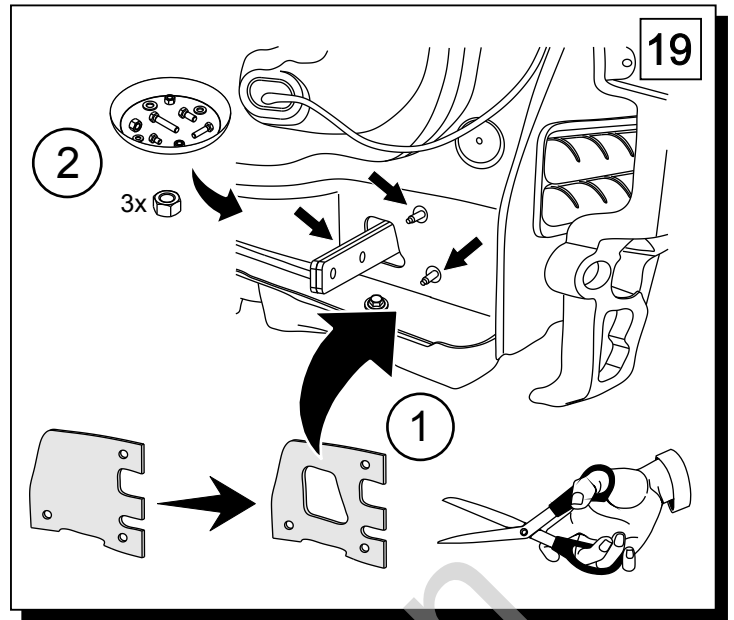
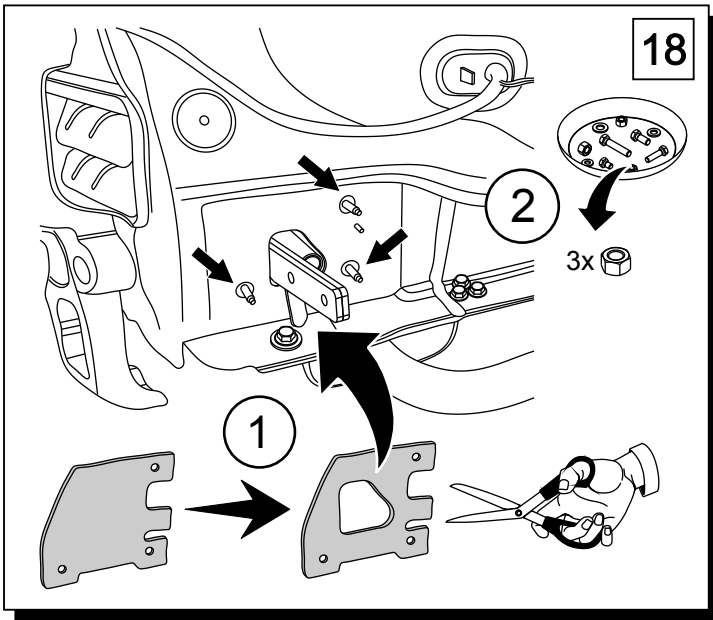


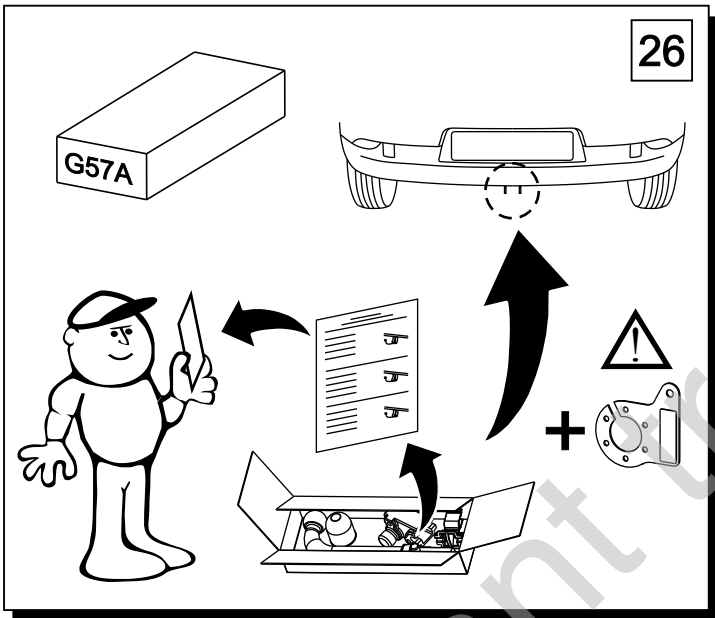
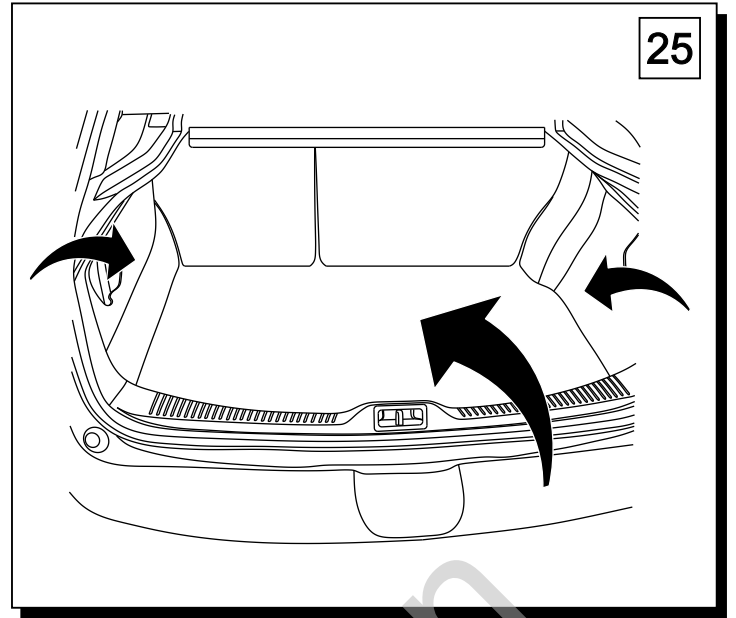
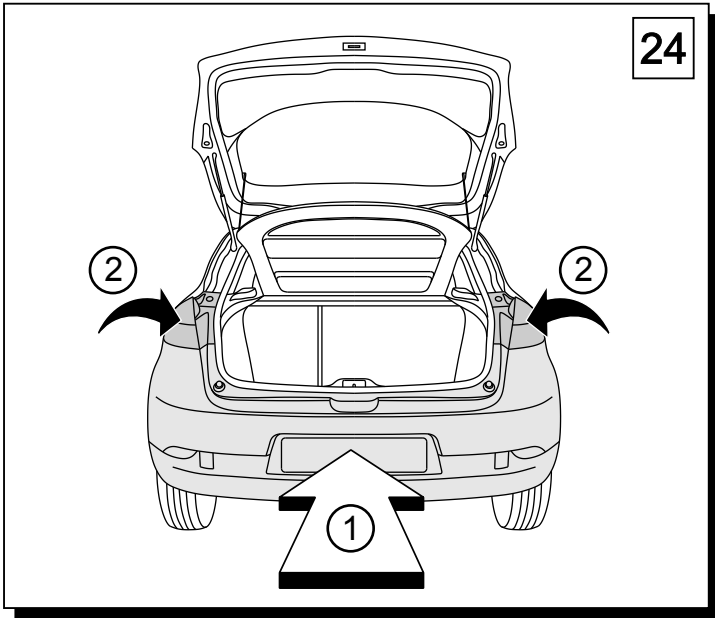
1		x1		9	M12x45	x4
				10	M10x40	x4
				11	M8x45	x1
				12	M12	x2
2		x1		13	M8	x1
				14	∅ 13	x4
				15	∅ 30x∅10.5x2.5 10 (DIN 9021)	x4
3		x1		16	∅ 8.3	x2
				17	∅ 12.2	x4
4		x1		18	∅ 10.2	x4
5		x1				
6		x1				
7		x1				
8		x1				











Olifant Lekhaken