

PPUH AUTO-HAK Sp.J.

Henryk & Zbigniew Nejman
ul. Słoneczna 16K 76-200 SŁUPSK
POLAND

tel/fax +48 059 8-414-414; 8-414-413

e-mail: office@autohak.com.pl

www.autohak.com.pl



AUTO-HAK

RENAULT CLIO III GRANDTOUR Kombi



Cat. no:

G56A



02.2008 → 02.2013

e20

e20*94/20*0539*00



1,5h

D

7,69 kN



R=1200 kg



-

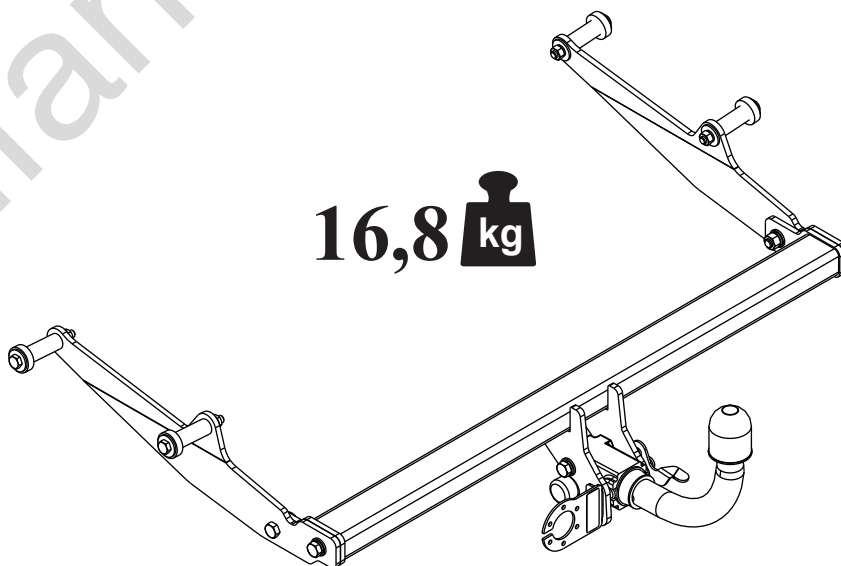


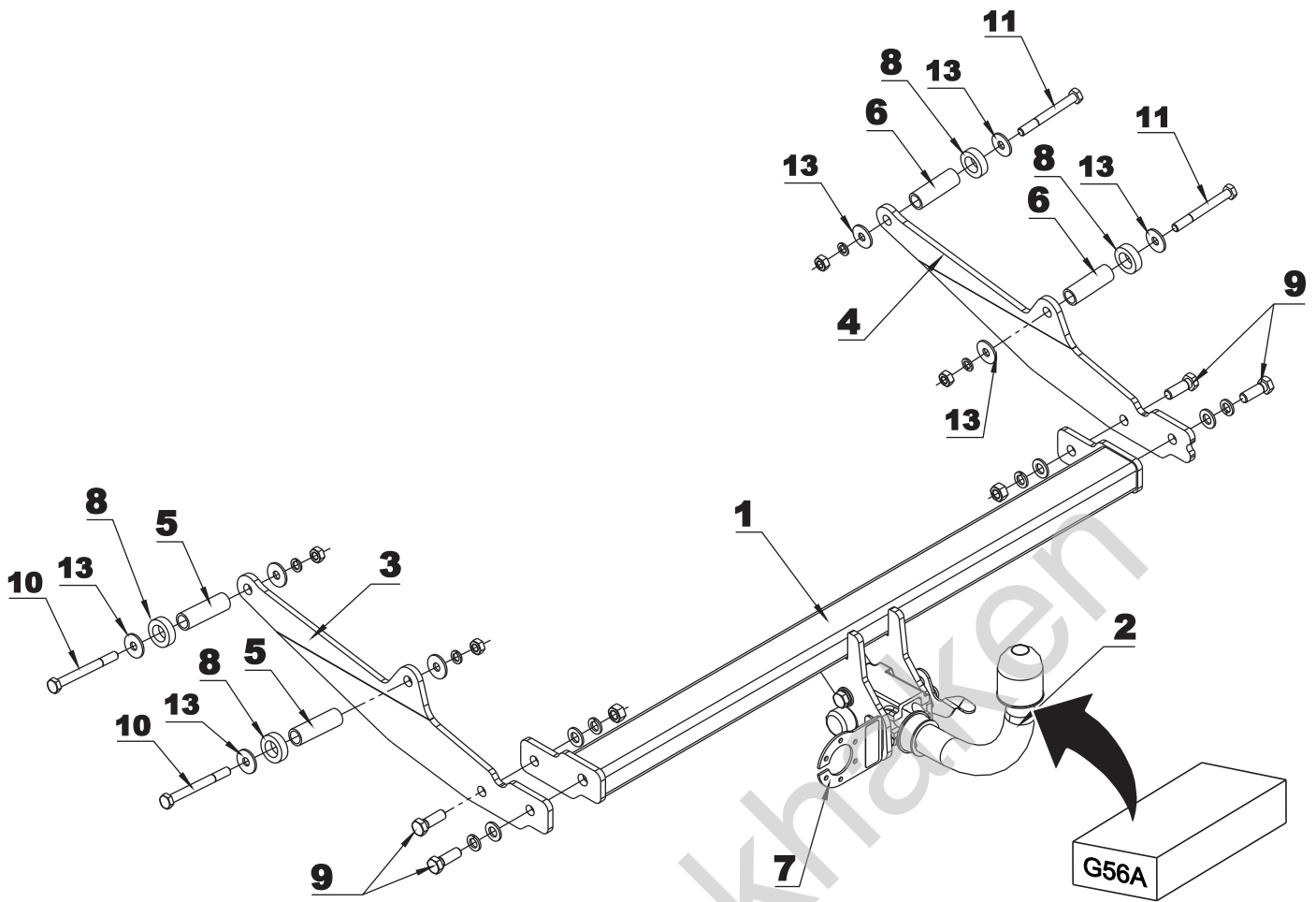
S=75 kg

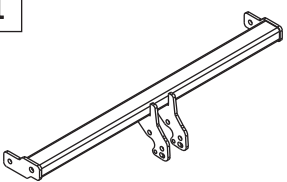

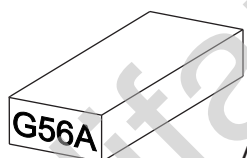



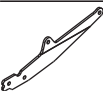
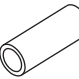

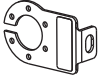



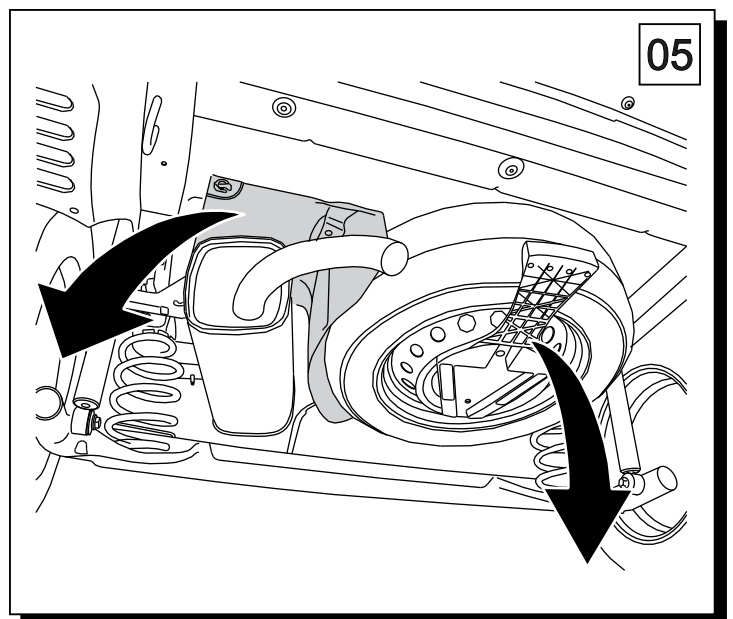
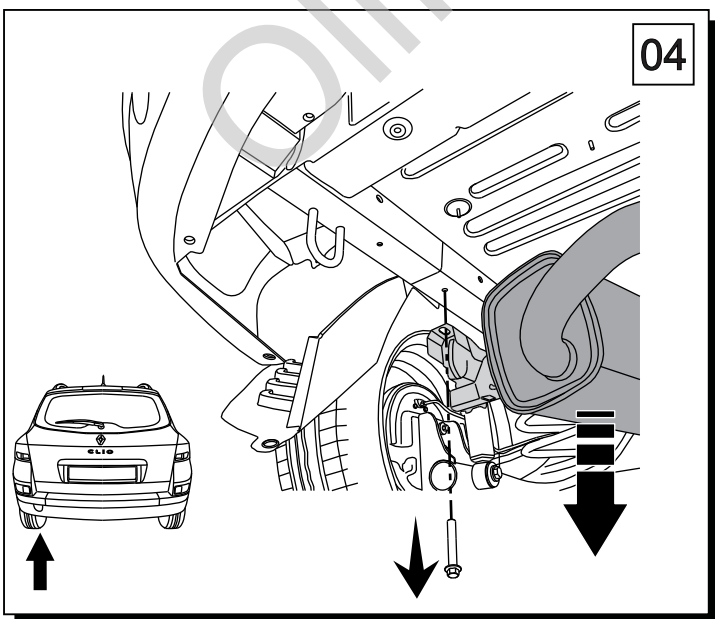
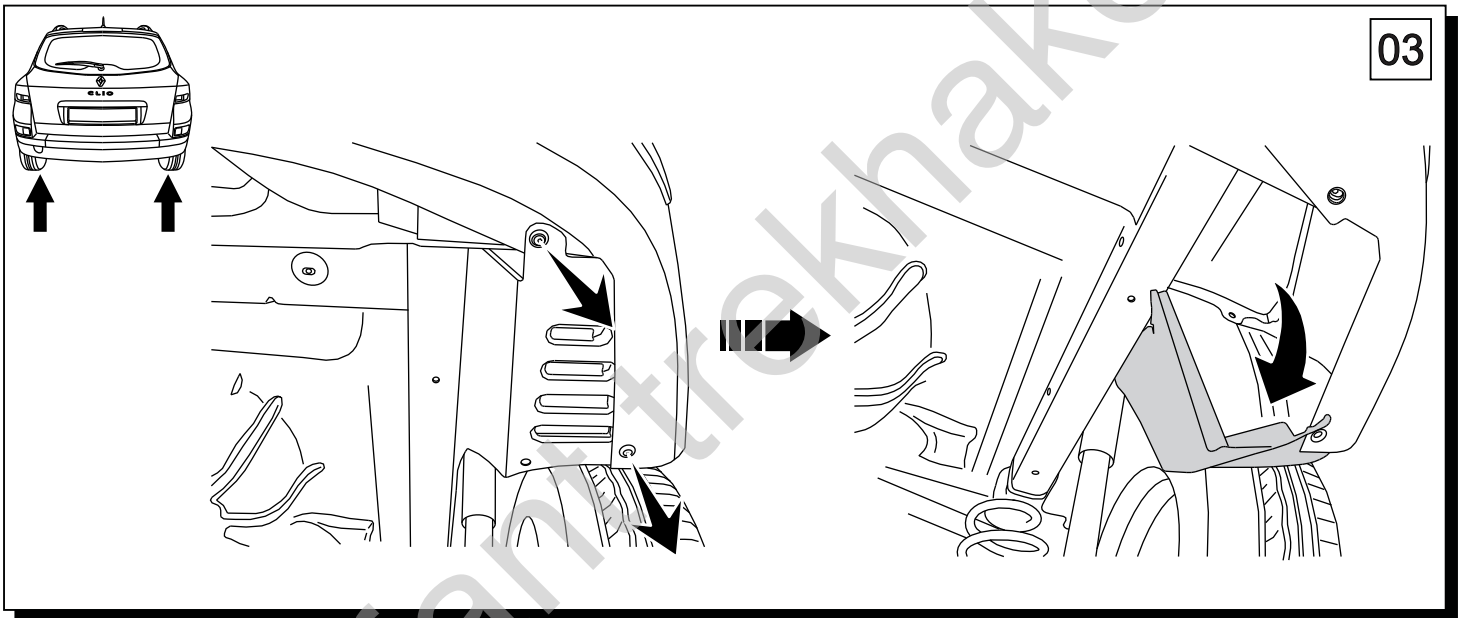
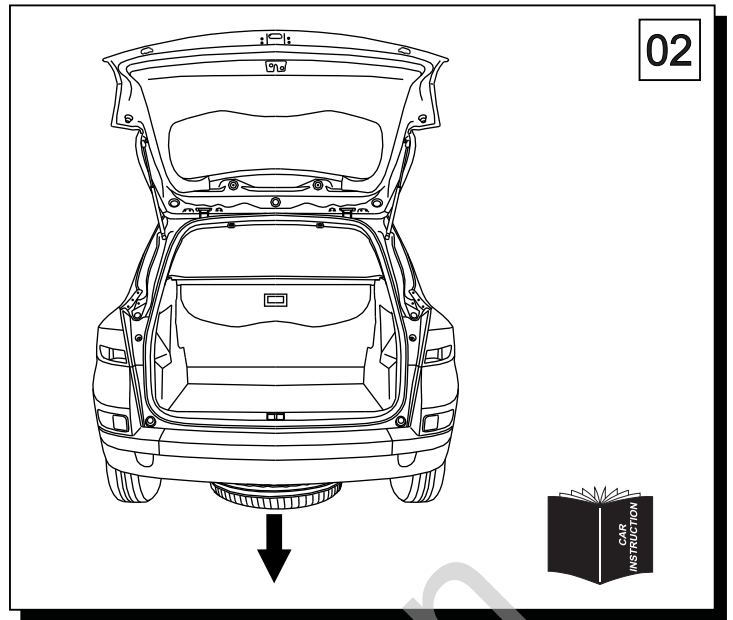
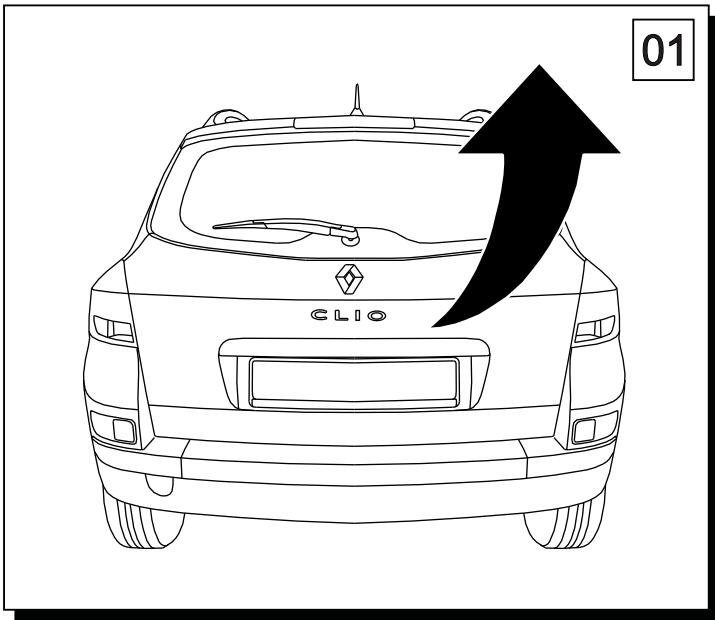
-

16,8 kg

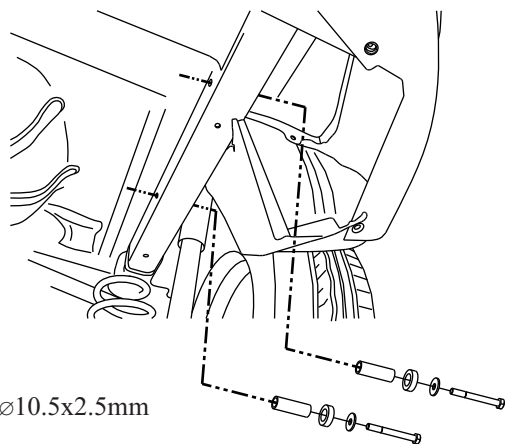




 1	x1		9 M12x35	x4
			10 M10x100	x2
			11 M10x90	x2
			12 \varnothing 13	x4
 2 Art.nr-KL1G56A	x1		13 \varnothing 30x \varnothing 10.5x2.5	x8
			10 DIN 9021	
 3	x1		14 \varnothing 12.2	x4
			 4	x1
 5 L=69mm	x2			
 6 L=63mm	x2			
 7 Art.nr-BL1G56A	x1			
 8	x4			



06



2x $\varnothing 30 \times 10.5 \times 2.5 \text{mm}$

2x $\varnothing 21 \times 2.65 \text{ L}=63 \text{mm}$

2x $\varnothing 35 \times 21 \text{ L}=10 \text{mm}$

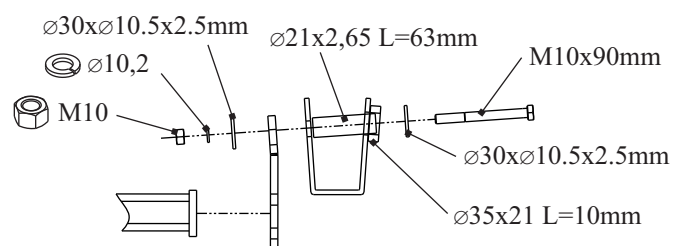
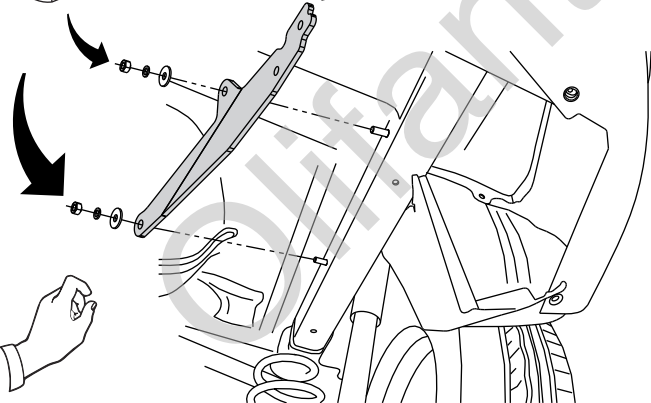
2x M10x90mm



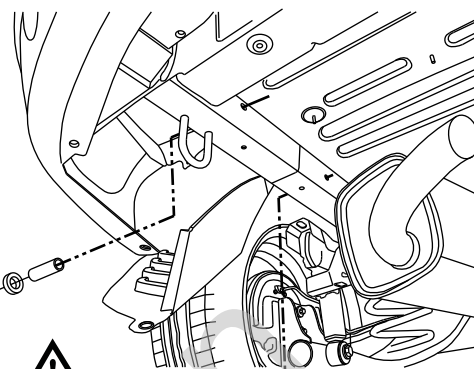
2x $\varnothing 30 \times 10.5 \times 2.5 \text{mm}$

2x $\varnothing 10,2$

2x M10



07



2x $\varnothing 30 \times 10.5 \times 2.5 \text{mm}$

2x $\varnothing 21 \times 2.65 \text{ L}=69 \text{mm}$

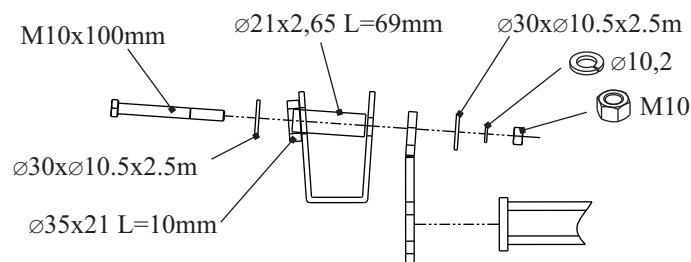
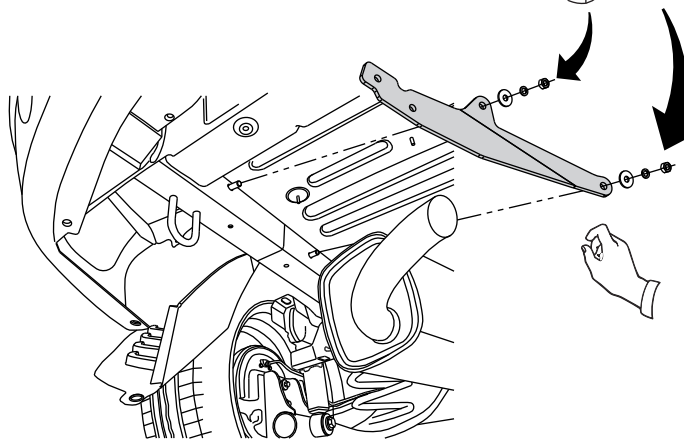
2x $\varnothing 35 \times 21 \text{ L}=10 \text{mm}$

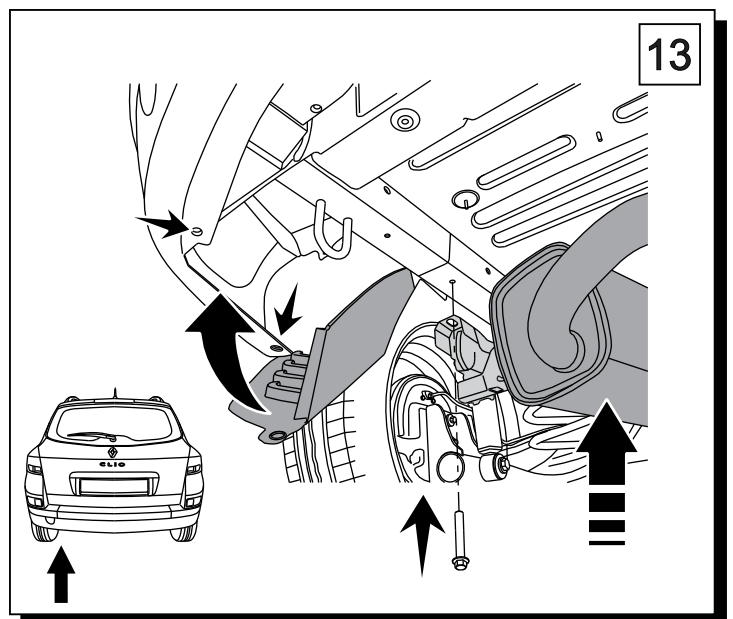
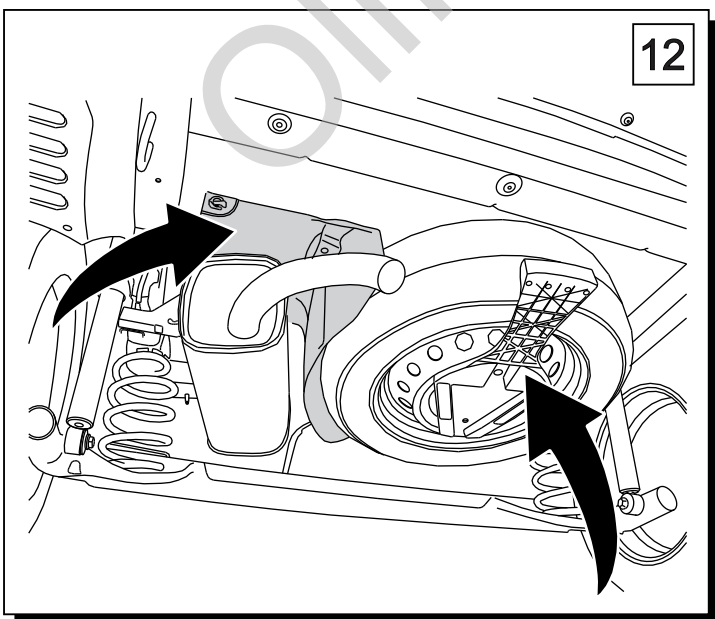
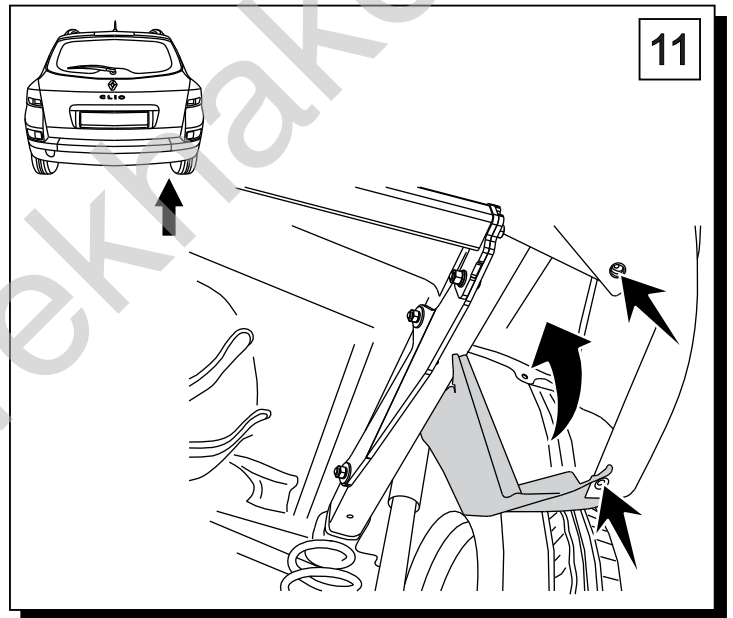
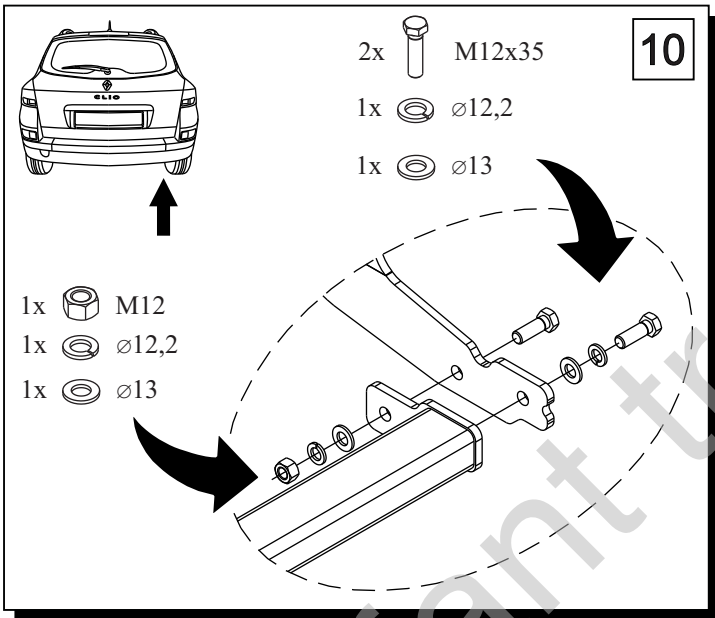
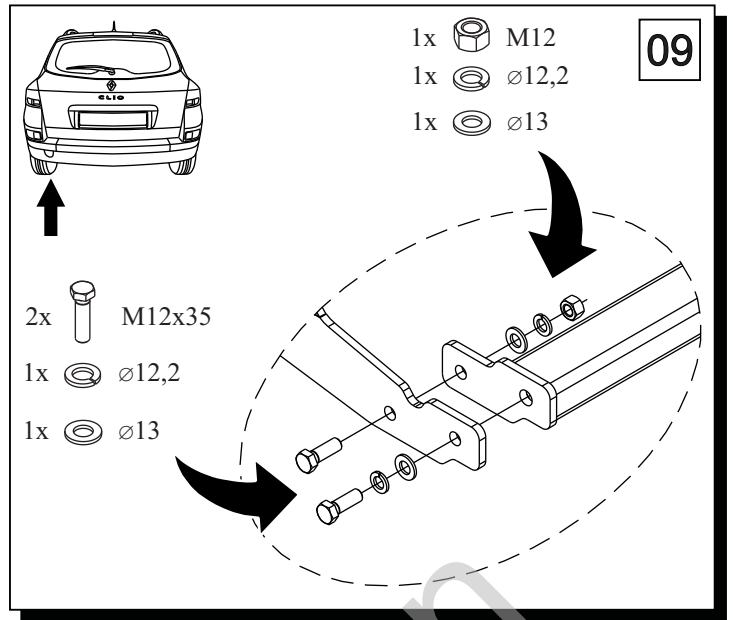
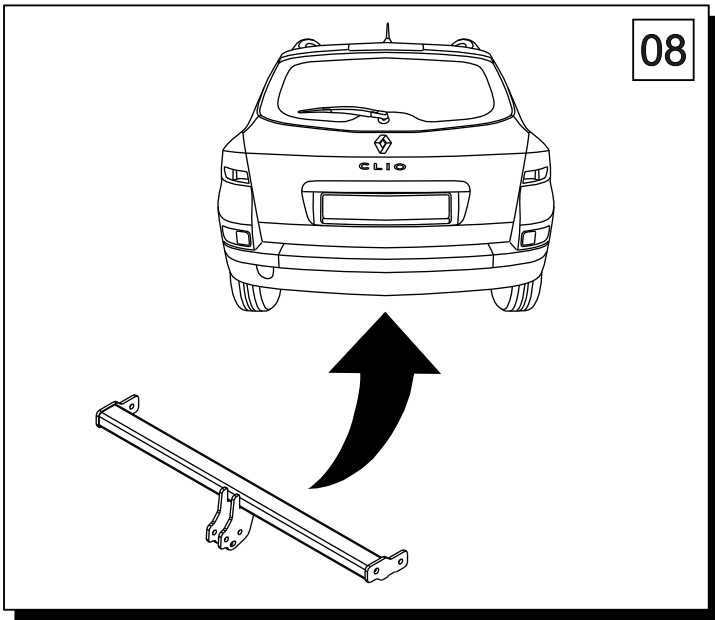
2x M10x100mm

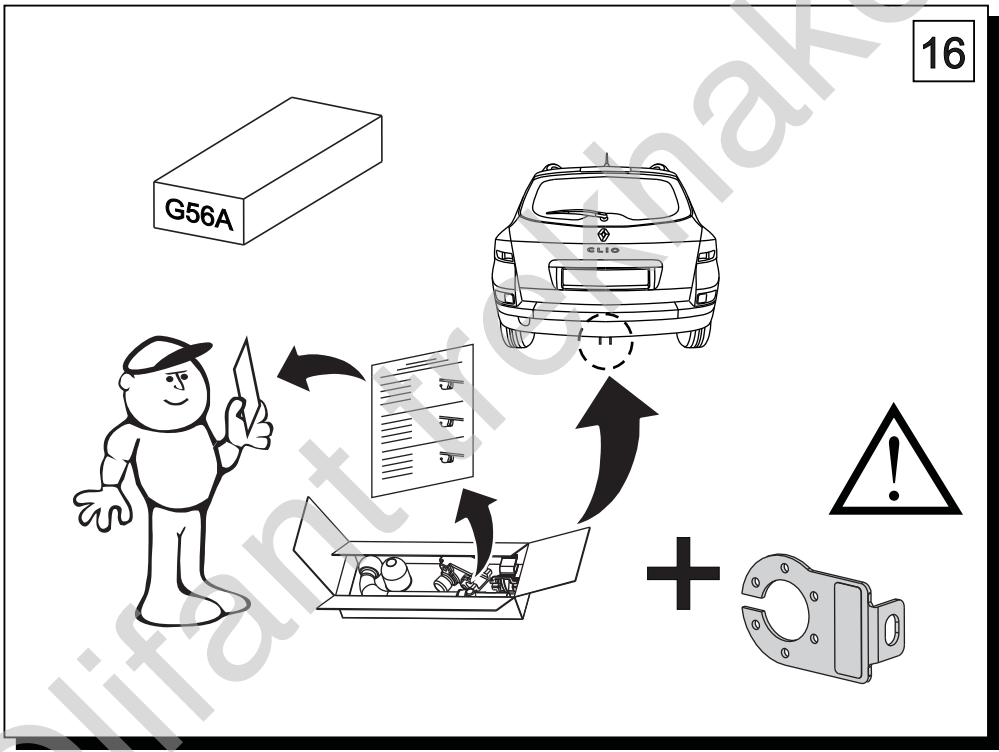
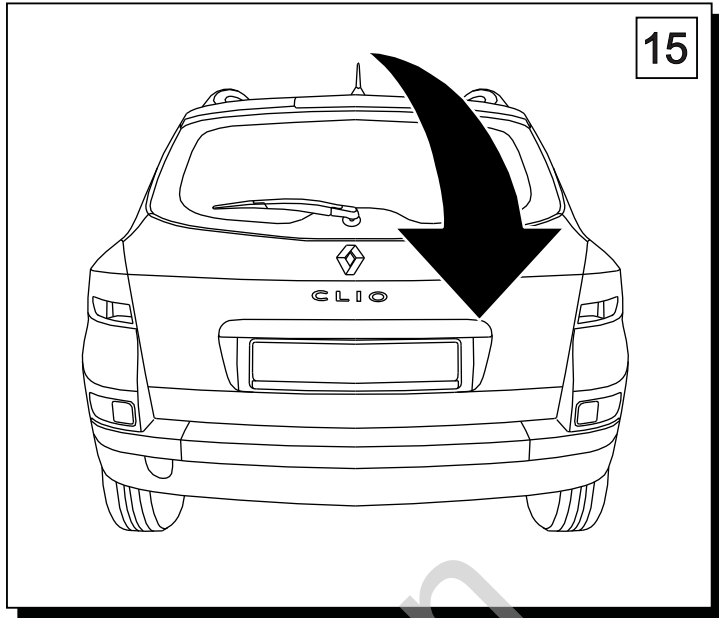
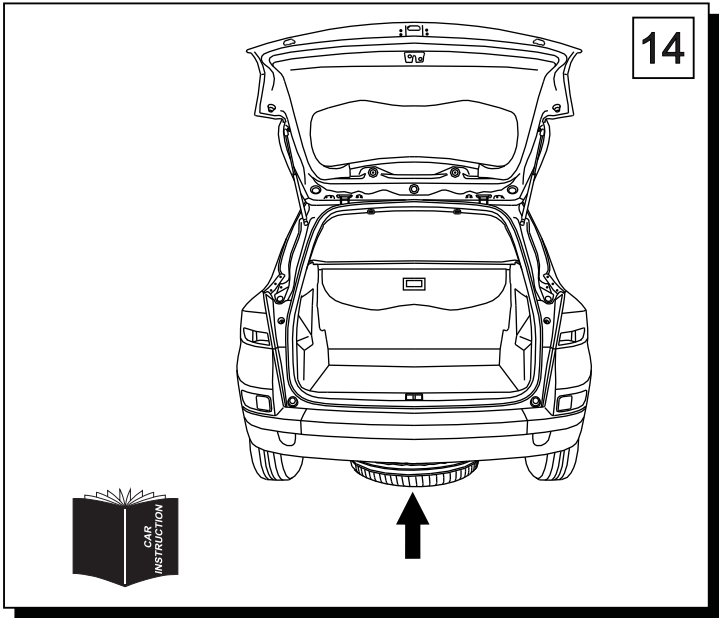
2x $\varnothing 30 \times 10.5 \times 2.5 \text{mm}$




2x $\varnothing 10,2$

2x M10







	M6	-	11 Nm	M8	-	25 Nm
	M10	-	50 Nm	M12	-	87 Nm
	M14	-	138 Nm	M16	-	210 Nm
	 0 km →  1000 km					