

# PPUH AUTO-HAK Sp.J.

Henryk i Zbigniew Nejman  
ul. Słoneczna 16K 76-200 SŁUPSK  
POLAND

tel/fax +48 59 8 414 414; +48 59 8 414 413

e-mail: [office@autohak.com.pl](mailto:office@autohak.com.pl)

[www.autohak.com.pl](http://www.autohak.com.pl)



# AUTO-HAK



**DACIA SANDERO 5D**

Cat. no:

**G53A**



08.2008 → 12.2012

e20

e20\*94/20\*0516\*00

D

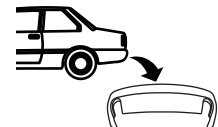
7,3 kN



1,5h



R=1350 kg



-

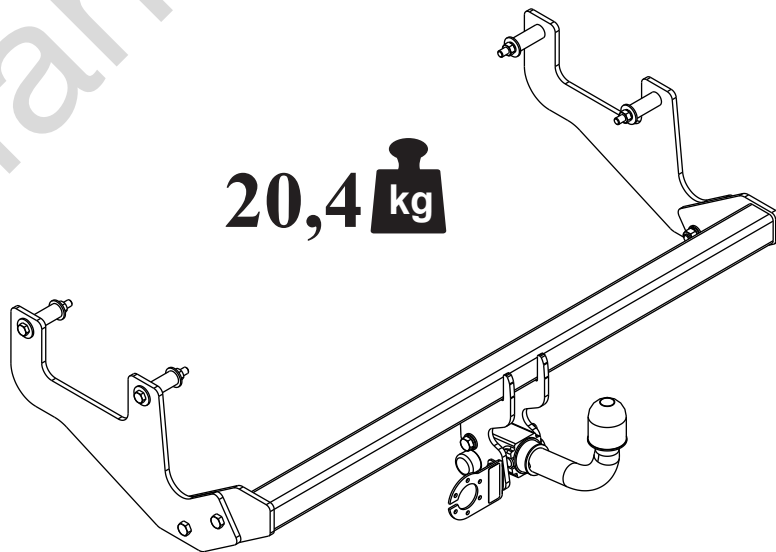


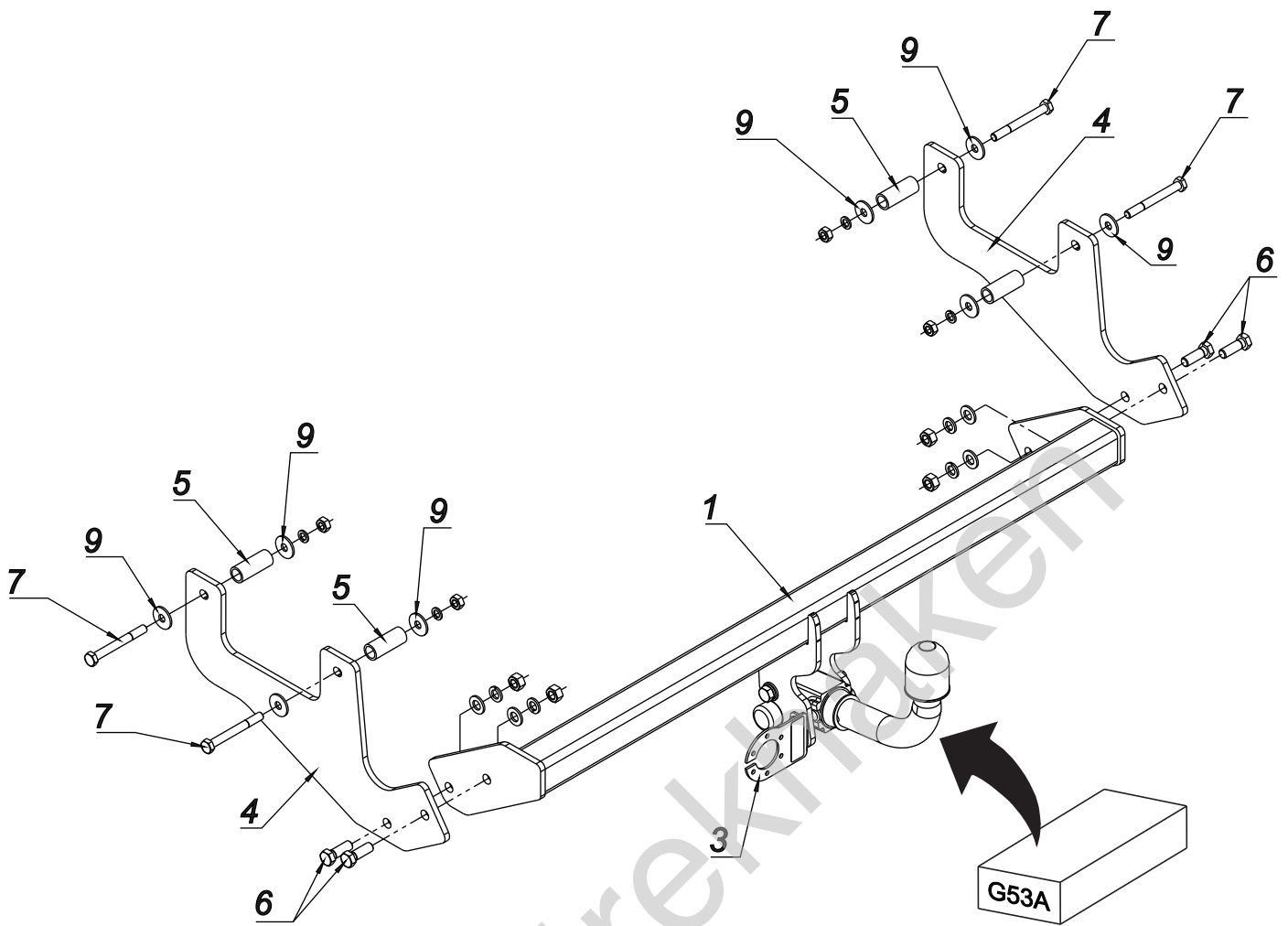
S=75 kg

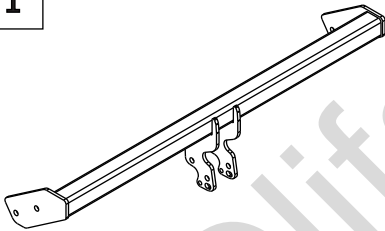


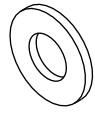
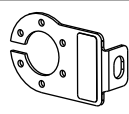

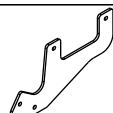
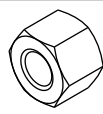
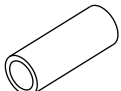


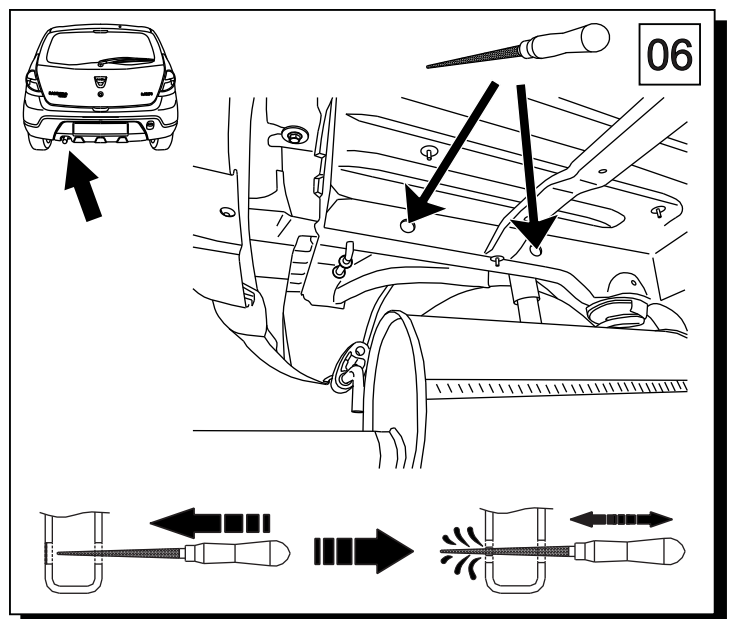
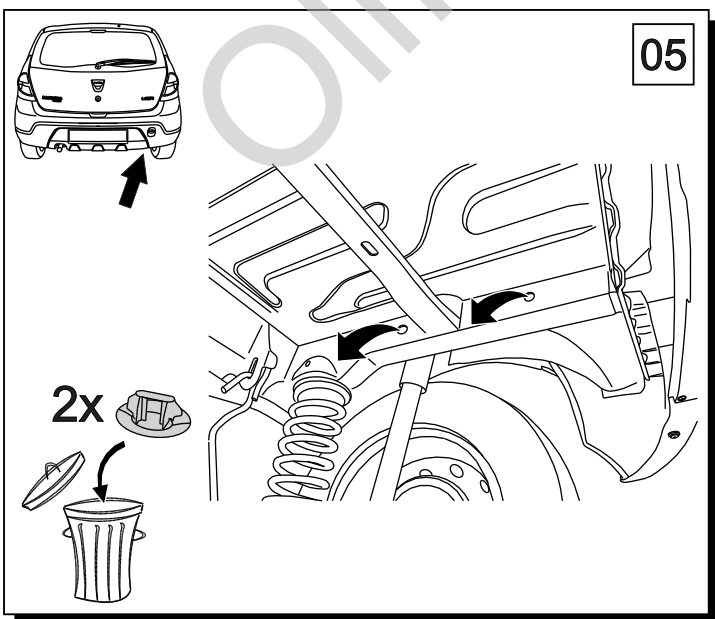
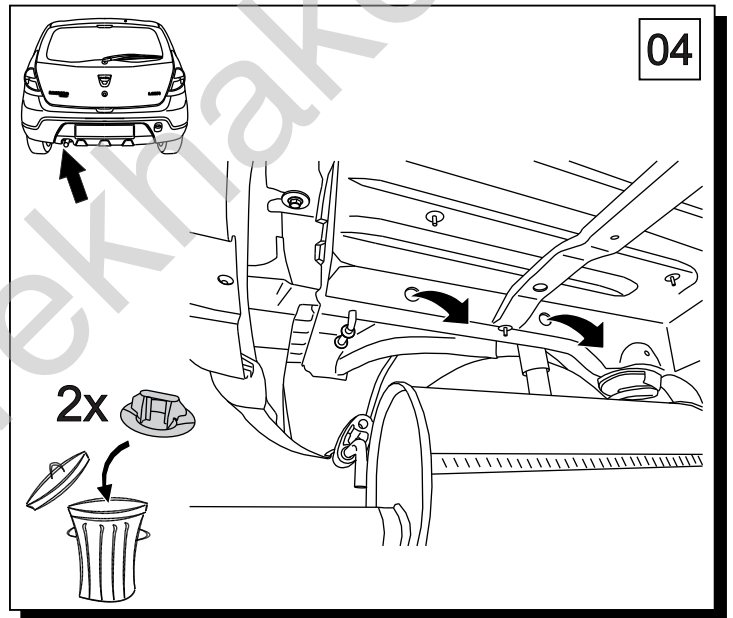
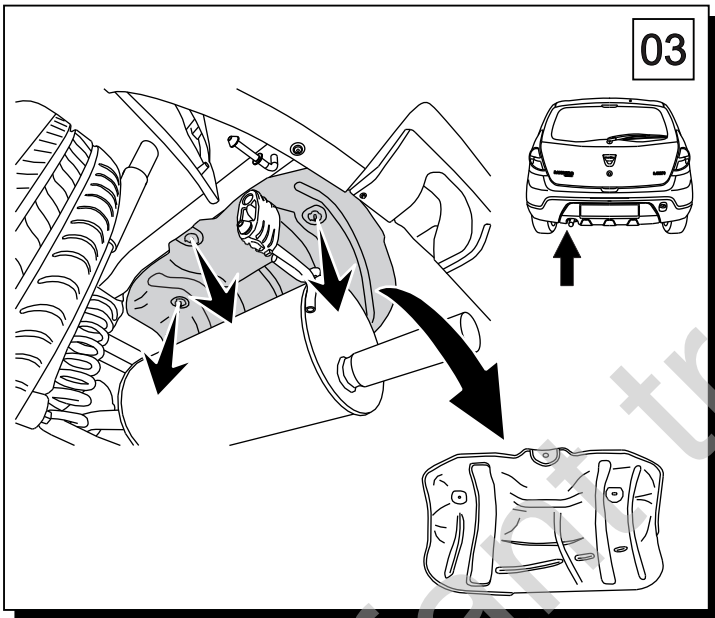
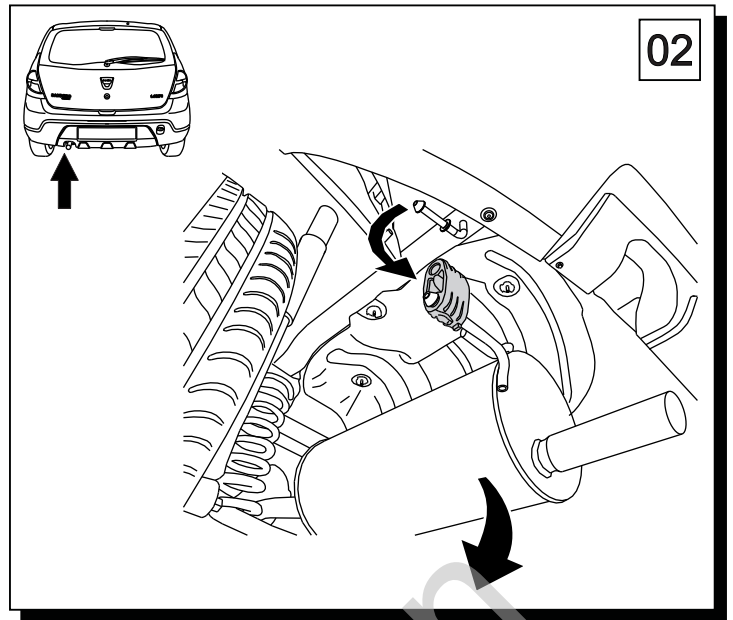
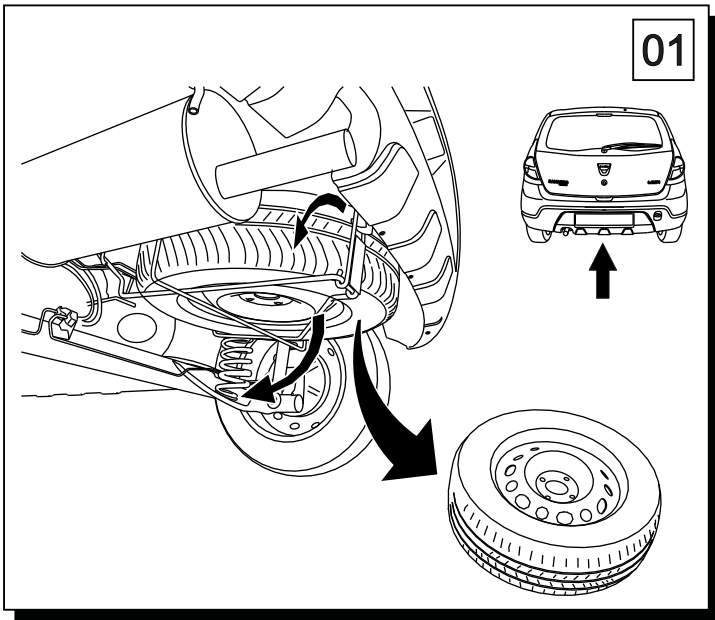
-

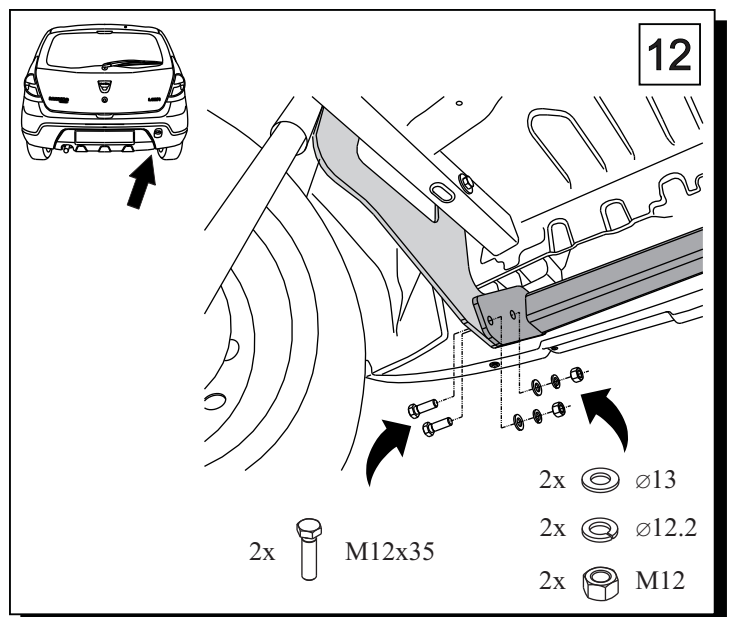
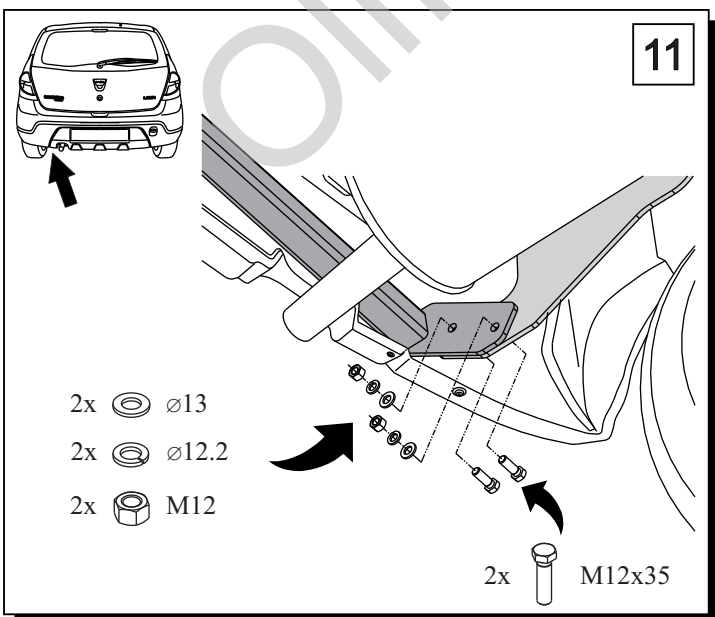
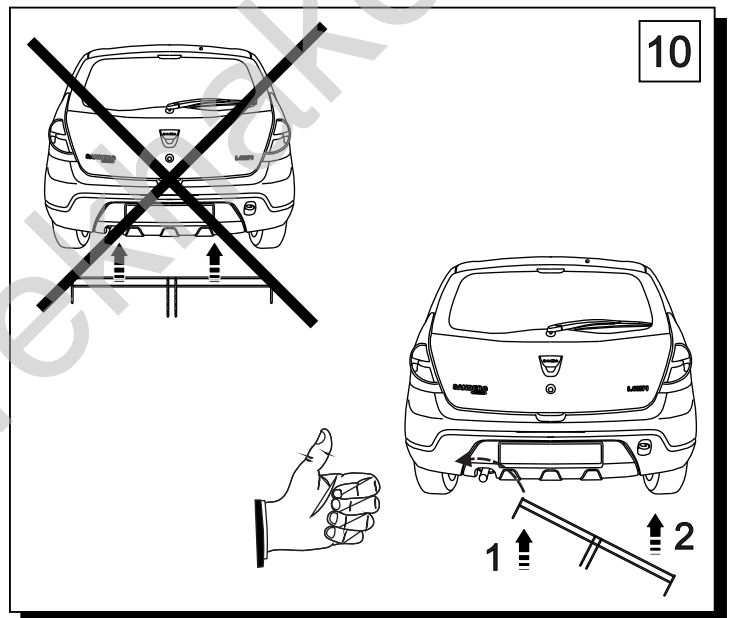
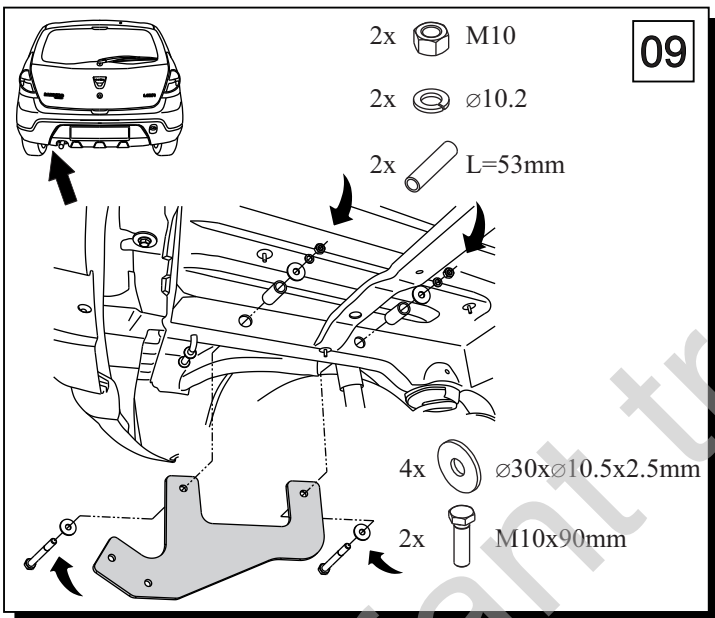
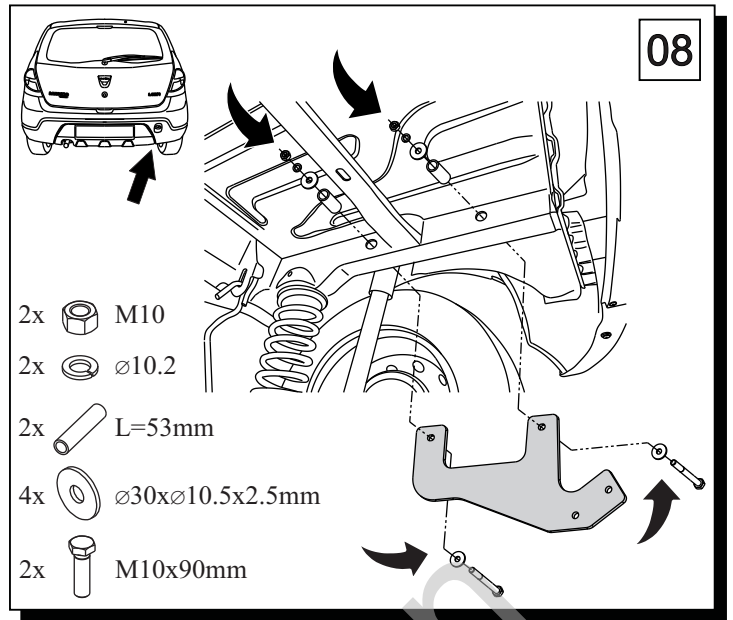
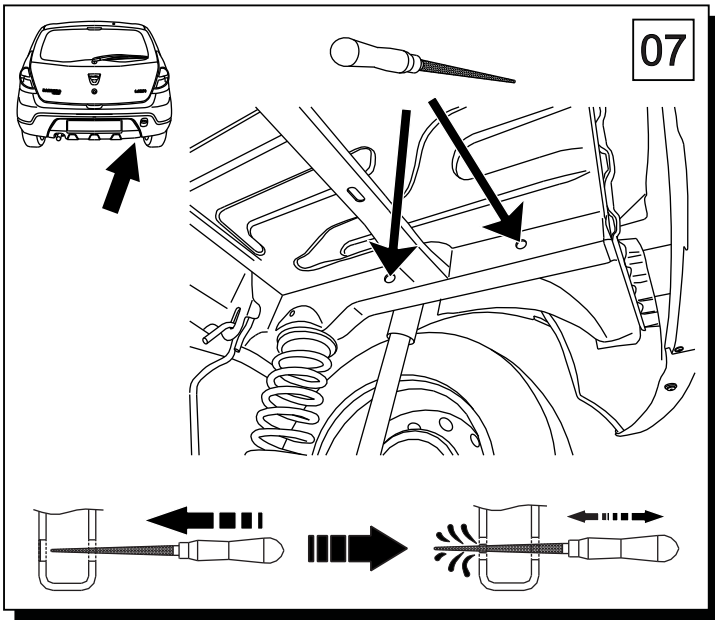
20,4 kg

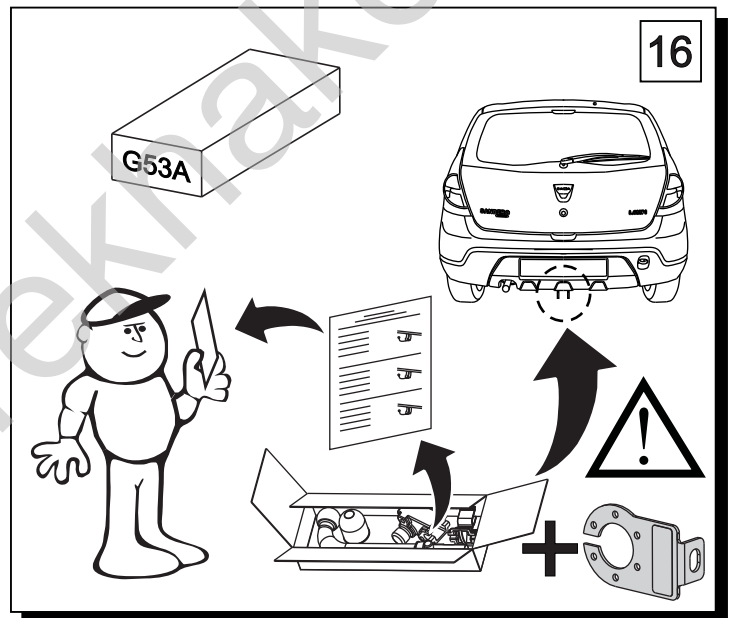
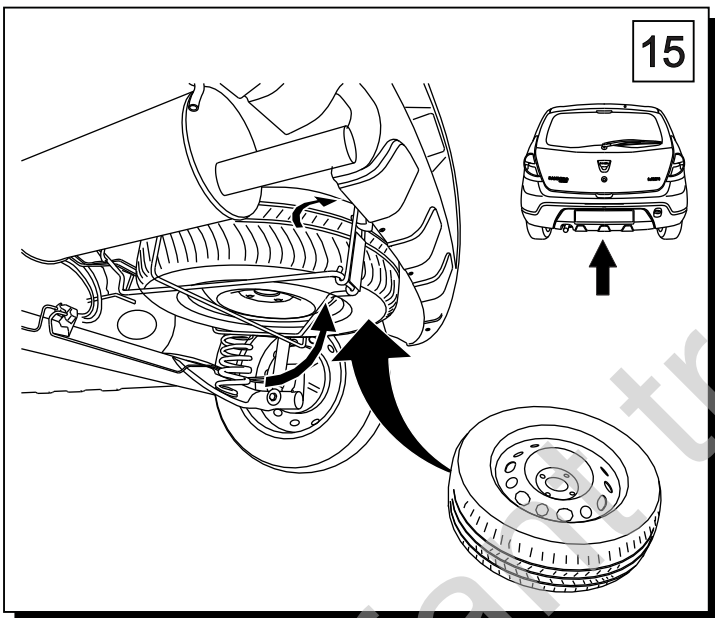
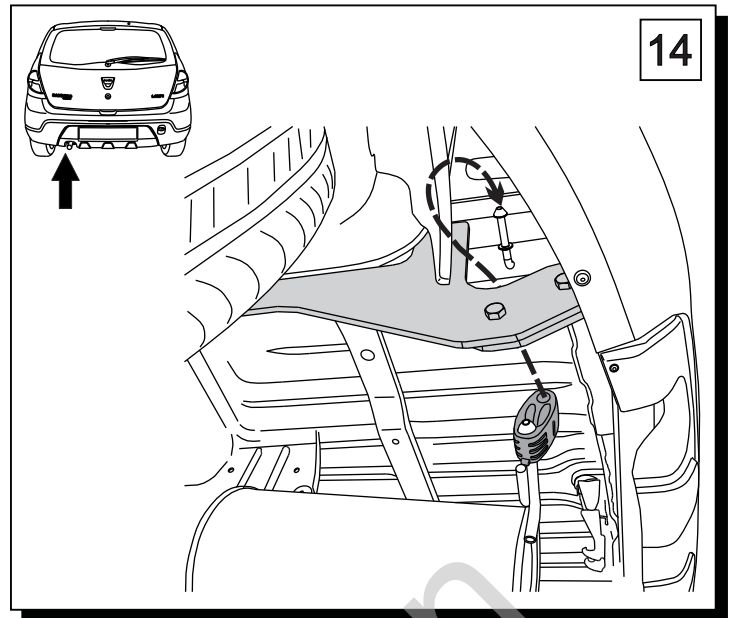
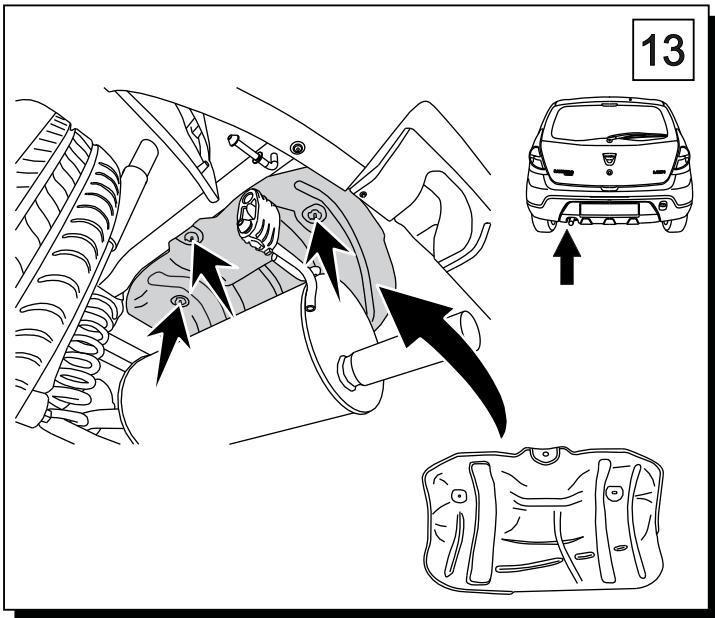







1		x 1		6	M12x35	x 4
				7	M10x90	x 4
2		x 1		8	∅ 13	x 4
				9	∅ 30x∅10.5x2.5 10 DIN 9021	x 8
3		x 1		10	∅ 12.2	x 4
				11	∅ 10.2	x 4
4		x 2		12	M12	x 4
				13	M10	x 4
5		x 4				







	<b>M6</b> - 11 Nm	<b>M8</b> - 25 Nm
	<b>M10</b> - 50 Nm	<b>M12</b> - 87 Nm
	<b>M14</b> - 138 Nm	<b>M16</b> - 210 Nm
	 <b>0 km</b> →  <b>1000 km</b>	