

# PPUH AUTO-HAK Sp.J.

Henryk i Zbigniew Nejman  
ul. Słoneczna 16K 76-200 SŁUPSK  
POLAND

tel/fax +48 59 8 414 414; +48 59 8 414 413

e-mail: [office@autohak.com.pl](mailto:office@autohak.com.pl)

[www.autohak.com.pl](http://www.autohak.com.pl)



# AUTO-HAK



**RENAULT LAGUNA III  
GRANDTOUR (KOMBI)**  
~~wersja GT~~

Cat. no:

**G52A**



09.2007 → 05.2013  
06.2013 →



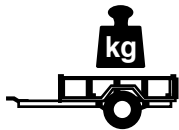
**1,5h**



E20-55R-01 5130



9,76 kN

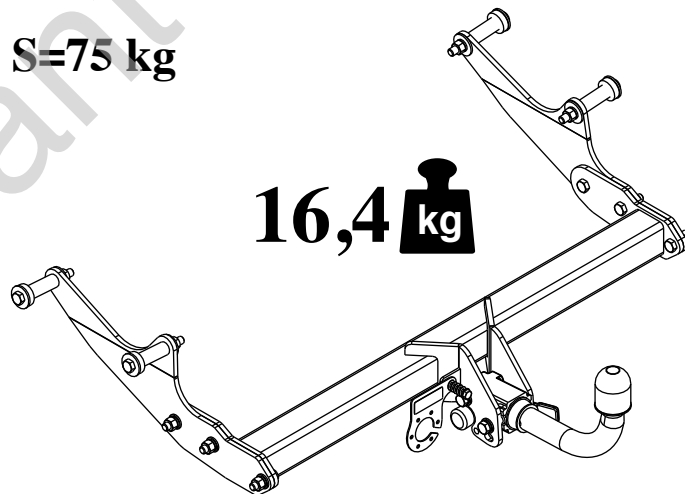


R=1700 kg



S=75 kg

**16,4 kg**



M6 - 11 Nm  
M10 - 50 Nm  
M14 - 138 Nm

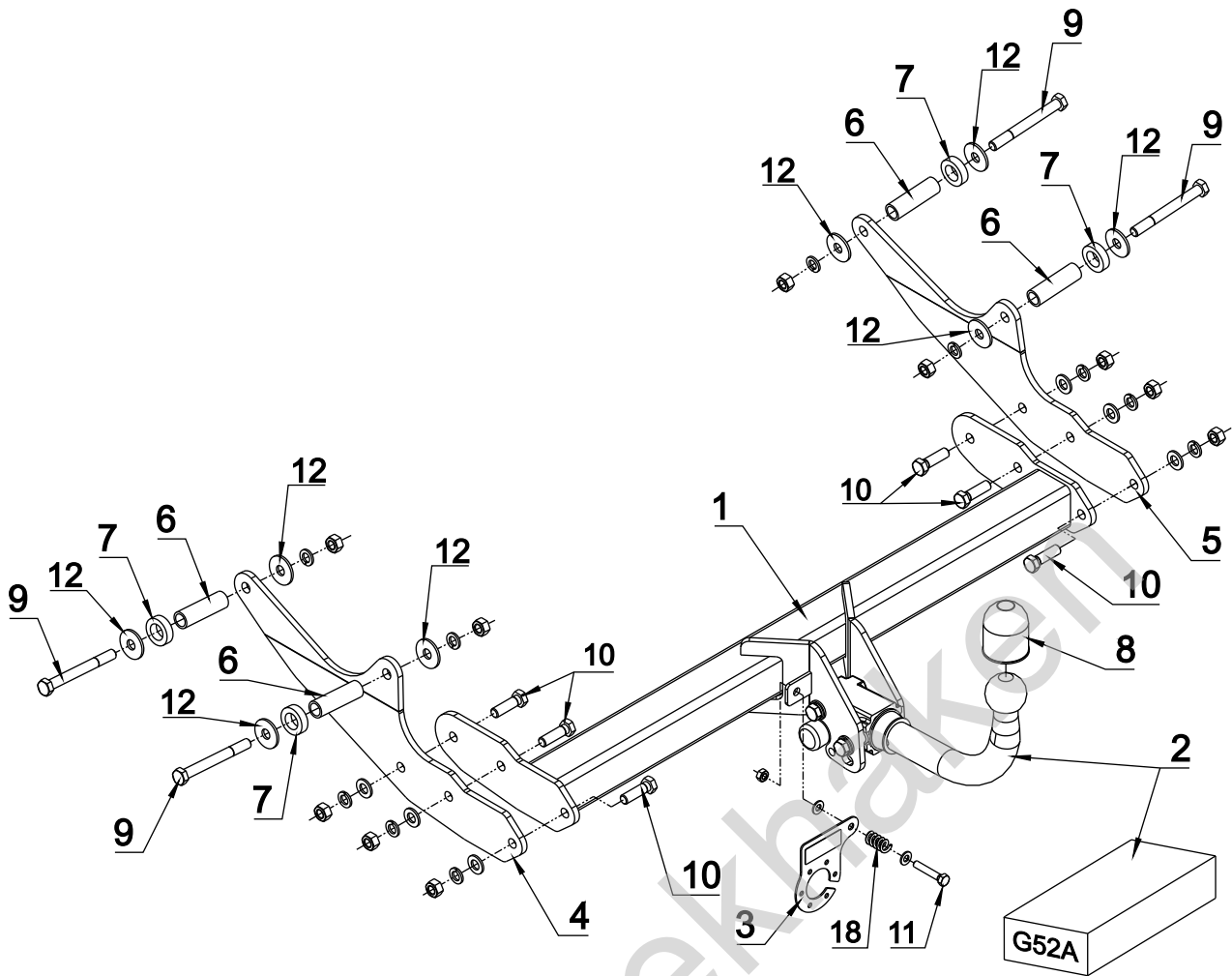
M8 - 25 Nm  
M12 - 87 Nm  
M16 - 210 Nm

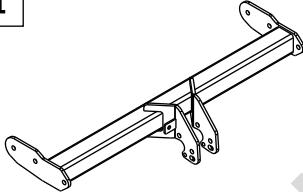

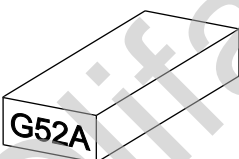




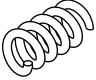

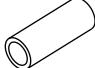




0 km →



1000 km



	x1		9	M12x110	x4
			10	M12x40	x6
 Art.nr-KL1G52A	x1		11	M8x45	x1
			12	∅ 37x∅13x3 13 (DIN 9021)	x8
			13	∅ 13	x6
 Art.nr-BL1G52A	x1		14	∅ 8.4	x2
			15	∅ 12.2	x10
	x1		16	M12	x10
			17	M8	x1
	x1				
	x4				
	x4				
	x1				

