

PPUH AUTO-HAK Sp.J.

Henryk i Zbigniew Nejman
ul. Słoneczna 16K 76-200 SŁUPSK
POLAND

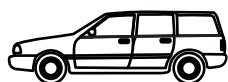
tel/fax +48 59 8 414 414; +48 59 8 414 413

e-mail: office@autohak.com.pl

www.autohak.com.pl



AUTO-HAK



DACIA LOGAN
MCV/Express/Pick-Up

Kombi, Pick-Up

~~fabryczna instalacja gazowa~~

Cat. no:

G51A



01.2007 → 06.2013



1,5h

e20

e20*94/20*0286*00

D

7,8 kN



—



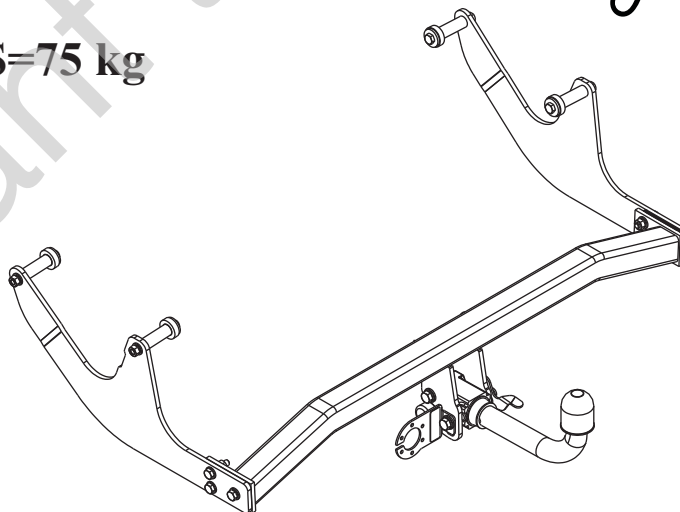
R=1300 kg



—



S=75 kg



M6 - 11 Nm
M10 - 50 Nm
M14 - 138 Nm

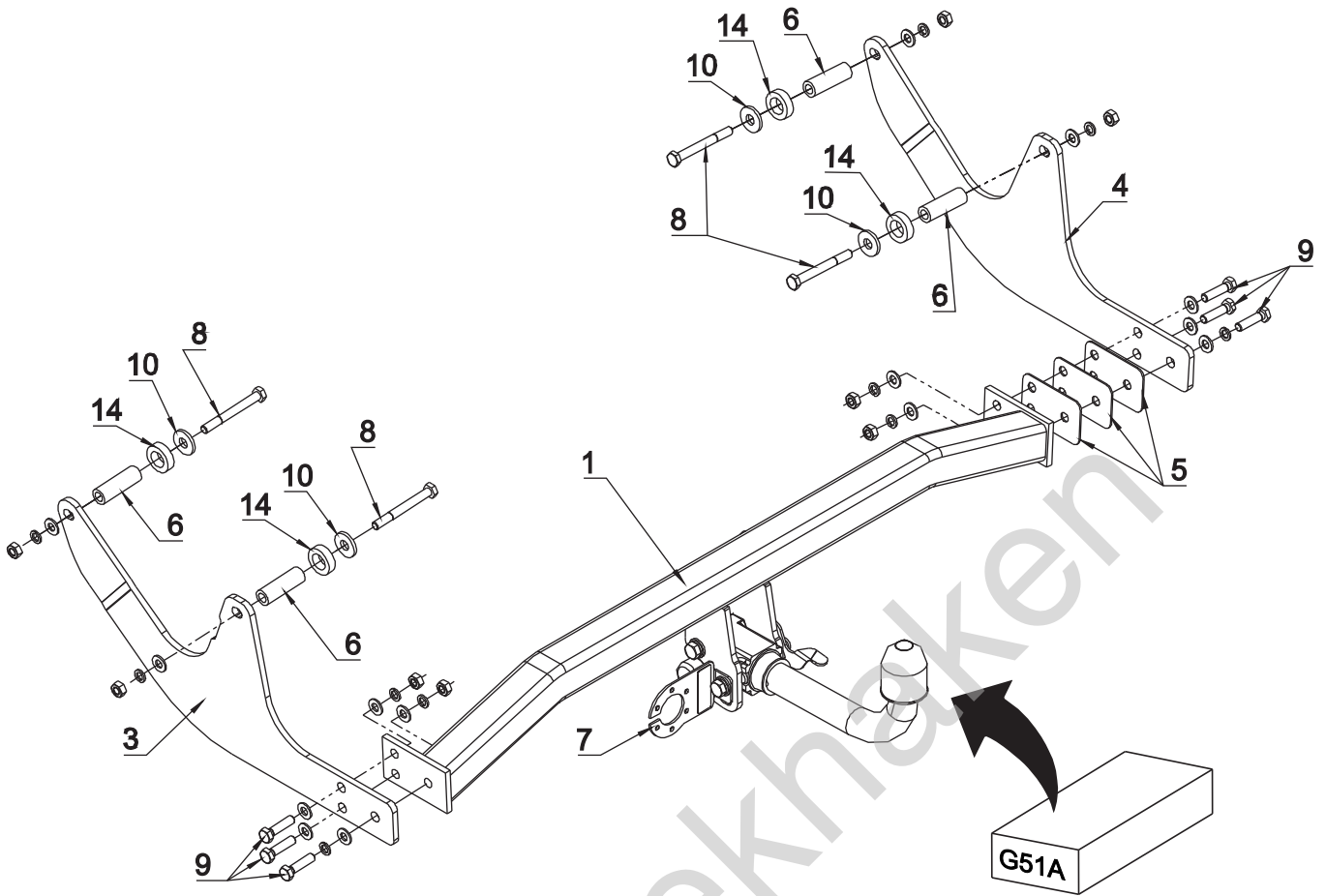
M8 - 25 Nm
M12 - 87 Nm
M16 - 210 Nm

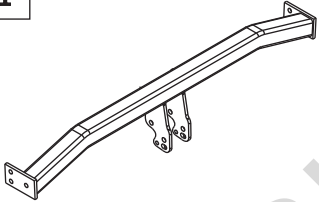





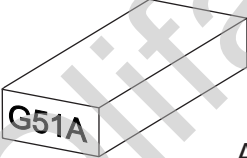






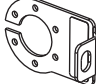


0 km →



1000 km



	x 1		8 M10x90	x 4
			9 M10x40	x 6
			10 \varnothing 37x \varnothing 13x3 13 (DIN 9021)	x 4
			11 \varnothing 10	x 14
			12 \varnothing 10.2	x 10
	x 1		13 \varnothing 10.5	x 14
	Art.nr-Z100 Art.nr-KL1G51A			
	x 1	14		x 4
			\varnothing 35x \varnothing 21mm L=10mm	
	x 1			
	x 3			
	x 4			
	\varnothing 20x4mm L=61mm			
	x 1			
	Art.nr-BL1G51A			

